

I9-4: Steel BBQ

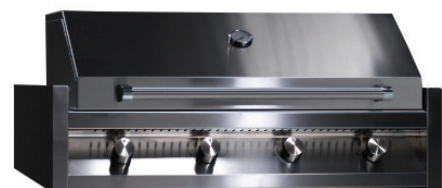
with Four Burner Grill



Features and Benefits:

Warranty	3 Years
Mj Rating	4 x 25 Mj rating per burner
High Quality Burners and Trivets	Cast stainless steel burners and cast iron trivets that are easy to remove for cleaning purposes.
Ceramic Heat Spreader	Ceramic panels that allow the BBQ to distribute heat evenly.
Cleaning System	All burners and trivets within the BBQ are dishwasher safe. Can be cleaned with warm water and detergent.
Ignition System	Piezoelectric one hand ignition
Reversible Cast Iron Cooking Grills	Cooker plates are made of durable cast iron and can be reversed to provide the option of different cooking surfaces - flat or grooved.
Flame Failure	Helps to provide a safe cooking experience by preventing the build up of large amounts of unignited gas.
Gas Type	Steel BBQ can be bought as a Natural or LPG unit.
MADE IN ITALY	Units are designed specifically for the Australian market and manufactured in Italy by dedicated boutique specialist manufacturer.

Note: Hood option with temperature gauge (image to the right) available as extra at additional cost of \$599. Standard model available with flat lid.



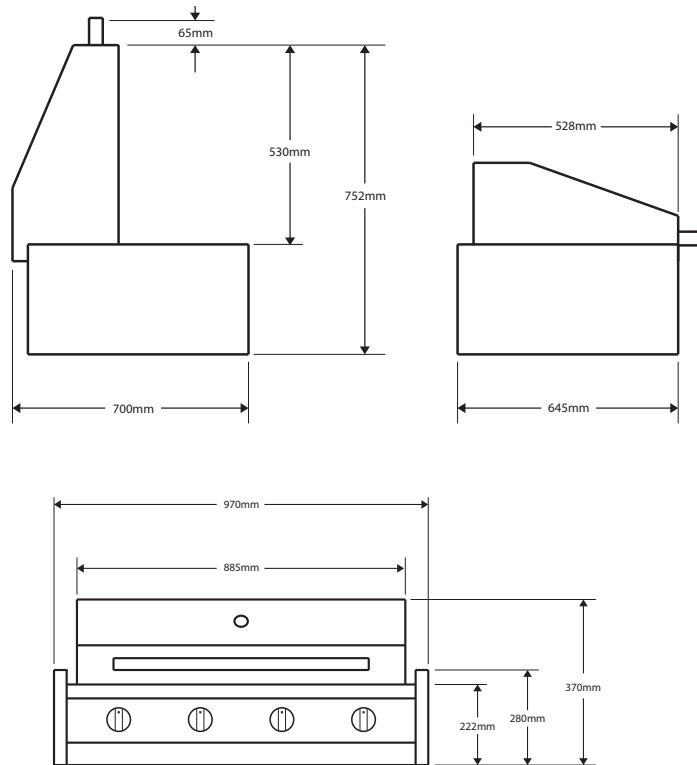
Distributed by Arisit Pty Ltd

40-44 Mark Anthony Drive, Dandenong South VIC 3175 Phone: 1300 762 219 Fax: 03 9706 6904 Website: www.arisit.com

www.steelbrand.com.au

I9-4: Steel BBQ

with Four Burner Grill



Model	I9-4
Control Panel	Stainless Steel with Metal Knobs
Mj Rating	25 Mj Rating per Burner
Gas Bottle Requirement	Min 4.5kg Max 9kg Gas Bottle if Working on LPG
Gas Hose for LPG	N/A: Hose and Regulator Fitted at Factory Level
Gas Hose for Natural Gas	1/2 Gas Pipe Line to be Used
Flame Failure	YES
Stainless Steel	441 grade body & 304 grade trims & burners
Product Dimensions (Enclosed Hood Open)	(W) 970mm x (D) 700mm x (H) 752mm + handle
Product Dimensions (Enclosed Hood Closed)	(W) 970mm x (D) 645mm + handle x (H) 370mm
Product Dimensions (Flat Hood)	(W) 970mm x (D) 640mm x (H) 280mm
Cut Out Product Dimensions	(W) 990mm x (D) 665mm (Keep an additional 70mm at rear for enclosed hood model)
Splashback	Flat lid model folds up to become a splashback when in cooking mode

WARNING: Technical specifications and product sizes can be varied by the manufacturer, without notice. Cut outs for appliances should only be physical product measurements. The above information is indicative only.

Distributed by Arisit Pty Ltd

40-44 Mark Anthony Drive, Dandenong South VIC 3175 Phone: 1300 762 219 Fax: 03 9706 6904 Website: www.arisit.com

www.steelbrand.com.au