

ULTRA-LOW PROFILE



EAN 8017709142162

finish	satin stainless steel cast-iron trivets & burner caps
installation	built-in one-piece hob suited to stone and composite quartz-resin benches
actual size	620mmW x 505mmD x 75mmH (excluding control knob height)
cutout	592mmW x 488mmD
capacity	34.8 mj/hour max over four burners <ul style="list-style-type: none"> • 2 x auxiliary 3.9 mj/hr • 1 x rapid 12.0 mj/hr • 1 x ultra rapid 15.0 mj/hr
ignition	automatic electronic
safety	flame failure device (FFD) fitted to each burner
gas input	set for natural gas — regulator supplied adaptable for ULPG — no regulator required
accessories	Linear design control knobs
warranty	two years parts and labour

SPACIOUS DESIGN

This wide 60cm hob offers four burners ergonomically positioned for maximum benefit with the possibility of several styles of cooking at the one time.

ULTRA-RAPID BURNER

This large and versatile burner suits the larger stock pots, boilers, saucepans and griddles.

ELECTRONIC IGNITION

The cooktop is connected with a power cord of 1.3 metre length to be plugged into a GPO located according to installation needs below the benchline. This supplies a continuous stored charge to spark the gas supply to the individual burner of your choice.

FLAME FAILURE DEVICE

A flame failure device is fitted to all four burners. The FFD ensures that should a flame be extinguished prematurely (for instance, by smothering or a sudden air gust) the gas supply to the specific burner(s) is stopped. For absolute safety, the burner(s) can only be reignited by physically resetting the control knob(s) to the OFF position and then following normal ignition procedure. Simply depress and turn the control of the desired cooking zone for almost instant flame ignition.

LOW MAINTENANCE

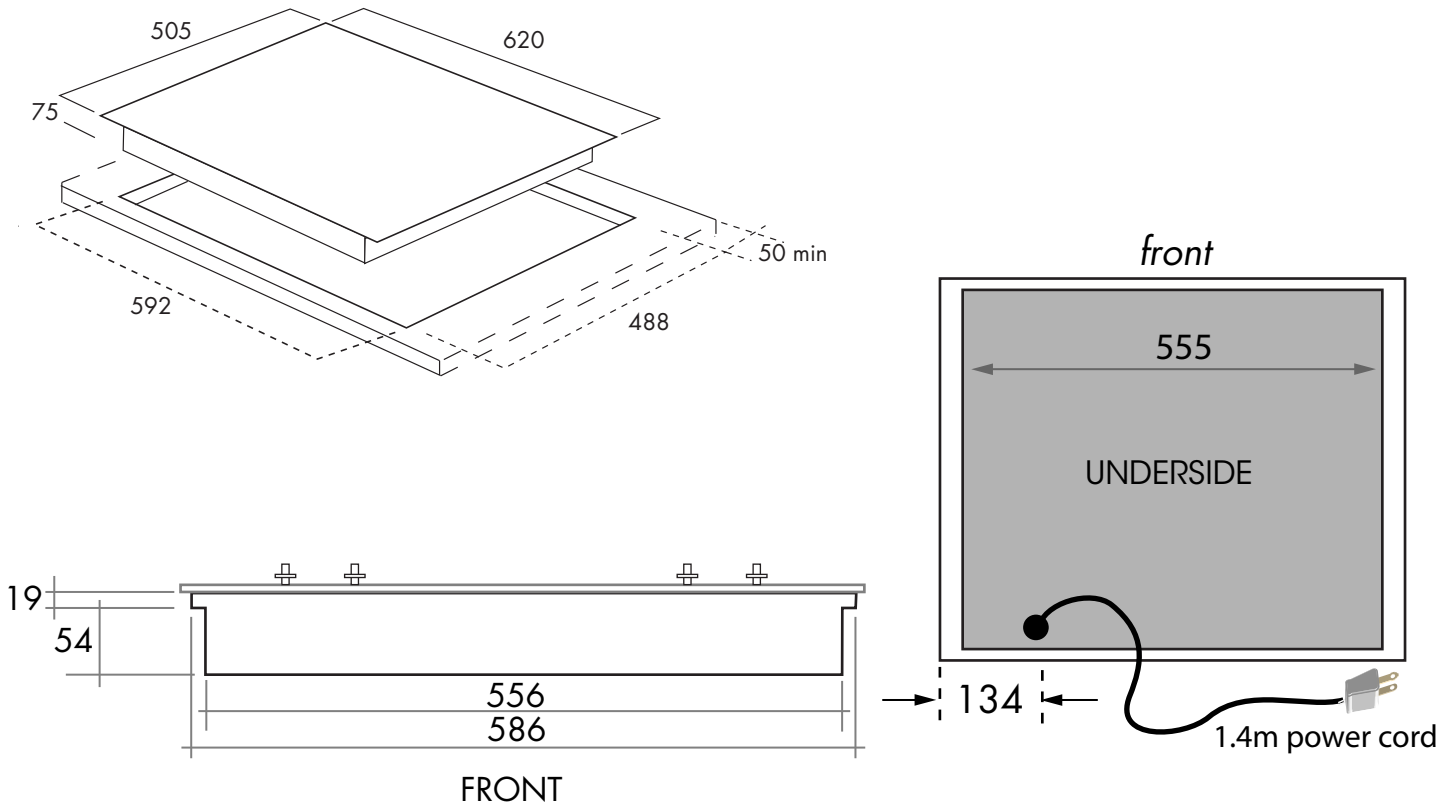
The seamless hob design allows for easy wipe-over cleaning. The control knobs, also, are removable for cleaning access. Trivets, burner assemblies and wok stand can be washed in warm soapy water.

INSTALLATION

With a benchtop displacement of 75mm, the installation underbench is possible of oven, cupboards or drawers.

LINEAR DESIGN

The PGA64 is supplied fitted with Classic design control knobs and fits within a comprehensive portfolio of Smeg appliances with complementing aesthetics. Linear design control knobs are included in the packaging box.



packaged weight: 15.4kg
 packaged dimensions: 750mm x 660mm x 170mm

NB: drawings are not to scale — they are to assist only. Product should be on hand to ensure correct measurements for installation into cabinetry.