

N 50  
OVEN  
B6ACH7AN0A



COOKING PASSION SINCE 1877



Built-in oven with Hide® - the fully retracting oven door

- ✓ CircoTherm® - Neff's outstanding hot-air system for simultaneous baking and roasting on up to 3 levels.
- ✓ Hide® - the fully retracting oven door.
- ✓ The duo for perfect cleaning: Pyrolysis after heavy use - the oven interior cleans itself.
- ✓ EasyClean® - the environment-saving option for fast oven cleaning.
- ✓ Modern LED lighting for bright, even illumination.

Features

Technical Data

Color / Material Front : Stainless steel  
 Built-in / Free-standing : Built-in  
 Integrated Cleaning system : Hydrolytic, Pyrolytic  
 Required niche size for installation (HxWxD) : 585-595 x 560-568 x 550  
 Dimensions of the product (mm) : 595 x 594 x 548  
 Dimensions of the packed product (HxWxD) (mm) : 660 x 690 x 650  
 Control Panel Material : Glass  
 Door Material : Glass  
 Net weight (kg) : 38.130  
 Usable volume of cavity (l) : 71  
 Cooking method : Bottom heat, Bread Baking Setting, Conventional heat, Full width grill, Hot Air, Hotair gentle, Hot air grilling, Pizza setting  
 First cavity material : Other  
 Temperature control : No control of the temperature  
 Number of interior lights : 1  
 Approval certificates : CE, VDE  
 Length electrical supply cord (cm) : 120  
 EAN code : 4242004237860  
 Number of cavities (2010/30/EC) : 1  
 Energy efficiency class (2010/30/EC) : A  
 Energy consumption per cycle conventional (2010/30/EC) : 1.04  
 Energy consumption per cycle forced air convection (2010/30/EC) : 0.81  
 Energy efficiency index (2010/30/EC) : 95.3  
 Electrical connection rating (W) : 3600  
 Current (A) : 16  
 Voltage (V) : 220-240  
 Frequency (Hz) : 50; 60  
 Plug type : no plug

Included accessories

1 x combination grid, 1 x universal pan

Optional accessories

Z11TF36X0 3 level telescopic rails, full ext



N 50  
OVEN  
B6ACH7AN0A

## Features

### Heating Functions

- Oven with 8 heating methods:  
CircoTherm®  
Top/bottom heating  
Circo-roasting  
Full surface grill  
CircoTherm® Intensive  
Bread Baking  
Bottom heating  
Hotair gentle
- Temperature range 30 °C - 275 °C
- Cavity volume: 71 net usable litres

### Design

- Rotary Control, Retractable control knobs
- Enamel grey with 4 shelf positions

### Cleaning

- Pyrolytic self cleaning
- EasyClean® Cleaning aid programm
- Full glass inner door - safer touch door

### Convenience

- White LCD display
- Temperature proposal  
automatic start  
Optical temperature control  
Actual temperature display  
Sabbath setting
- Hide door
- Electronic clock
- Rapid heating-up
- Halogen lighting
- Cooling fan
- Bar handle

### Hook-in racks / rails

- Large capacity oven with shelf supports, Telescopic shelf rails available as optional accessory

### Accessories

- 1 x combination grid, 1 x universal pan

### Safety and Environment

- Automatic door lock during pyrolysis  
Individual adjustable child lock  
Safety switch off  
Residual heat indicator
- Quadruple glazed CoolTouch door
- Maximum door temperature 30° C

### Technical Info

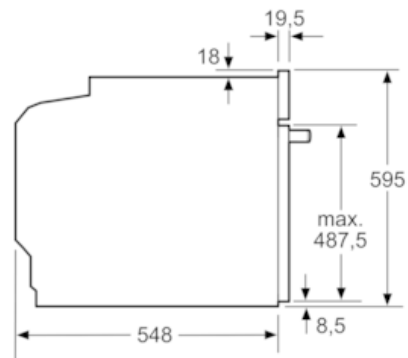
- Length of mains cable: 120 cm
- Nominal voltage: 220 - 240 V
- Total connected load electric: 3.6 KW
- Appliance dimensions (HxWxD): 595 mm x 594 mm x 548 mm
- Installation dimensions (HxWxD): 585 mm - 595 mm x 560 mm - 568 mm x 550 mm
- Please reference the built-in dimensions provided in the installation drawing

N 50  
OVEN  
B6ACH7AN0A

Dimensioned drawings

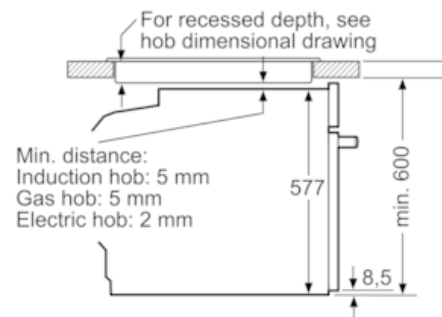
If the appliance will be installed underneath a hob, the following worktop thicknesses (including substructure if necessary) must be taken into account.

Hob type	min. worktop thickness	
	fitted	flush
Induction hob	37 mm	38 mm
Full surface Induction hob	47 mm	48 mm
Gas hob	30 mm	38 mm
Electric hob	27 mm	30 mm

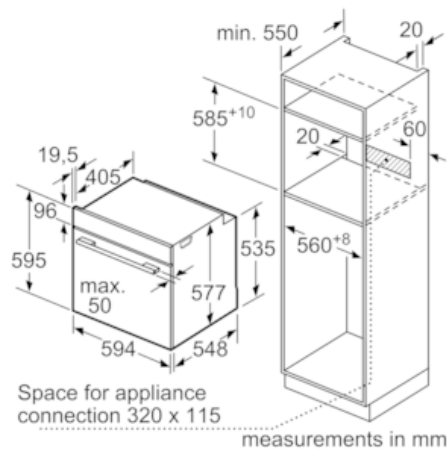


measurements in mm

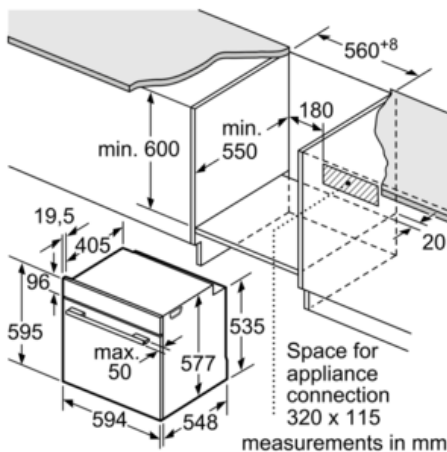
Installation with a hob.



measurements in mm



measurements in mm



measurements in mm