

**Series 8, heat pump tumble dryer, 8 kg
WTX88M20AU**



Super energy efficient drying performance with a 10 star energy rating and large 8kg drying capacity: enjoy excellent consumption values – for the life of the dryer.

- **SelfCleaning Condenser:** keep the condenser free of fluff to maintain top energy efficiency.
- **Interior Drum Light:** bathes the inside of the drum in a brilliant white light
- **Auto Dry:** automatically dries to the exact level of dryness you select.
- **AntiVibration Design:** extremely stable and extraordinarily quiet
- **ActiveAir Technology reuses existing heat efficiently during the entire drying process.**

Built-in / Free-standing:	Free-standing
Removable top:	No
Door hinge:	Right
Length electrical supply cord:	145.0 cm
Height of removable worktop:	0 mm
Dimensions (HxWxD):	842 x 598 x 613 mm
Net weight:	55.5 kg
Fluorinated greenhouse gases:	No
Type of refrigerant:	R290
Hermetically sealed equipment:	Yes
EAN code:	4242005206247
Connection rating:	600 W
Fuse protection:	10 A
Voltage:	220-240 V
Capacity:	8.0 kg
Energy efficiency rating:	A+++

- WTZ27400 Stacking kit with pull-out shelf
- WTZ27410 Stacking kit
- WTZPW20D Platform with pull-out, dryer, cubic



Series 8, heat pump tumble dryer, 8 kg WTX88M20AU

Super energy efficient drying performance with a 10 star energy rating and large 8kg drying capacity: enjoy excellent consumption values – for the life of the dryer.

Capacity

- Capacity: 8 kg

Consumption rates

- 10 Star energy rating
- Energy consumption 98 kWh per year on Cottons, Cupboard Extra Dry, Drying level 1, used once per week. When tested in accordance with AS/NZS 2442.2. Actual energy use and running costs will depend on how you use the appliance.

Programs

- Special drying programs:
 - Towels: hard wearing towels and dressing gowns made of cotton
 - AllergyPlus/Hygienic: high temperature program for hard wearing items that need to be hygienically clean Cottons, Shirts/Blouses: designed to allow immediate ironing or hanging up shirts/blouses after the program completes. - Delicates: items made from satin, synthetic or blended fabrics Down Wear: clothing, bedspreads or eiderdowns stuffed with down. - Mixed: items made from cotton or blended fabrics - Super 40': short program for synthetic fabrics and light cottons - Sportswear: sports and leisure items made from synthetic fibres, microfibre or fleece - Quilts: clothing, pillows, quilts or bedspreads filled with synthetic fibres - Easy Care: items made from synthetic or blended fabrics - Wool: Machine washable items made of wool - Timed Program Cold: manually set a custom time for loosening up or airing clothing that has hardly been worn - Timed Program Warm: manually set a custom time for drying slightly damp or multi layered thick items
- Touch control option settings: - Finished in (delayed start): you can delay the start of the program by up to 24 hours, - Easy Iron 60': the drum moves the laundry at regular intervals for 60 minutes after drying to prevent creasing, - Easy Iron 120': the drum moves the laundry at regular intervals for 120 minutes after drying to prevent creasing, - Child safety lock: prevent children from tampering with the program settings and turning on the appliance, Control dial with integrated power On/Off button, - Remote Start: allows you to start and control the appliance remotely via the Home Connect app, - Low Heat: reduce the drying temperature for delicate fabrics, - End Signal: activate or deactivate the audible signal at the end of the program, - Start/Pause the program, - Drying Level: if you feel that the laundry is too damp when the drying program has ended you can adjust the drying level for future uses of the program to make the program run longer, - Drying Target: set the desired dryness level: Cupboard Dry for regular items. Cupboard Dry Plus for thicker garments. Iron Dry for items that still need a to be a little damp after drying for ironing or hanging up, 24 h - Finished in (delayed start): you can delay the start of the program by up to 24 hours

Performance

- ActiveAir heat pump technology, existing heat is reused efficiently during the entire drying process
- SelfCleaning Condenser: the condenser automatically cleans itself

and does not require any manual cleaning. This also helps to ensure the dryer performs economically with optimal energy efficiency

- Sensitive drying system: textile friendly drum design and SoftFlow paddles ensure soft, fluffy laundry and helps to reduce creasing
- Fast Dryer Technology, dries clothes upto 8 minutes per kilogram faster than other Bosch heat pump dryers

Design

- AntiVibration design: for greater stability and quietness
- Large LED-Display for remaining time, 24 h end time delay and programme status indication, ability to turn on/off end of cycle - End Signal: activate or deactivate the audible signal at the end of the program
- Large water condensation container: If there is no drain hose connected to the appliance the condensation water from the drying cycle will be stored in the condensation container
- Glass door with 170 ° opening angle

Features

- Time delay to select end of time of your wash (1-24 hours) and time remaining indicator
- Illuminated control dial with integrated power On/Off button
- LED interior drum light bathes the inside of the drum in a brilliant white light when opened

Safety

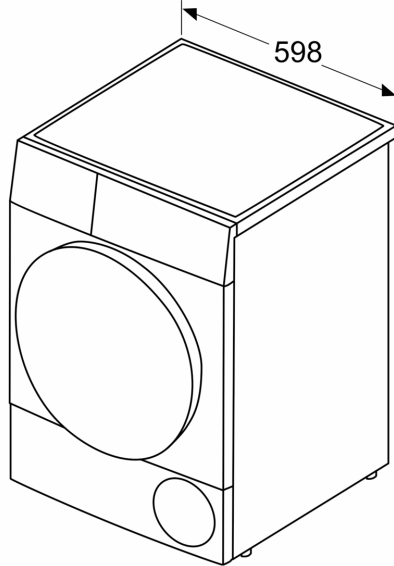
- Child safety control lock

Technical Information

- Dimensions (H x W x D): 84.2 cm x 59.8 cm x 61.3 cm (66.5 cm including door handle)
- Operating noise level: 62 dB(A)
- Energy efficient premium dryer with a 10 Energy Stars rating : enjoy excellent consumption values – for the life of the dryer.

**Series 8, heat pump tumble dryer, 8
kg
WTX88M20AU**

Measurements in mm



Measurements in mm

