

BUILT-IN 5 BURNER GAS BBQ IN BLACK
MOTORISED ROTISSERIE & LIGHTING SYSTEM



SIR-BG3101-BLK



FEATURES & BENEFITS

3 YEAR MANUFACTURER WARRANTY	Guarantees peace of mind and value for money knowing that any product fault or defect is covered by replacement parts and/or a service call.
5 BURNER BBQ	4 x high quality burners made from 304 grade stainless steel with 1 x additional rear infrared rotisserie burner (Rotisserie components included).
STYLISH BUILT-IN DESIGN	Seamless integration into your outdoor space, enhancing aesthetics and functionality while providing a dedicated cooking area, efficient heat management, and often, increased durability compared to portable options.
DOUBLE SKINNED HOOD	Double skinned hood with rotisserie and thermostat allows cooking with the lid closed and retains more heat than other skinned models.
INTEGRATED THERMOSTAT	A thermostat is cleverly integrated into the enclosed hood helping to provide an accurate reading of the internal temperature within the BBQ cavity for roasting with the hood closed.
HIGH QUALITY BURNERS WITH EVEN HEAT DISPERSION	The 304 grade stainless steel flame tamers assist with even heat distribution while reducing flare ups, helping to provide an excellent grilling experience.
BLACK POWDER COATED ENAMEL	Black powder coated enamel finish are highly resistant to heat and corrosion, making it easier to keep your burner in pristine condition.
INFRARED BURNER	1x Under Tepp And 1x Rotisserie infrared Burner, used to sear meats without disturbing the moisture boundary, so food will still remain juicy and tender
STAINLESS STEEL WARMING RACK	Provides additional space within the BBQ for already cooked food that you want to keep warm.
INTERNAL 2 X HALOGEN LIGHTS	Illuminates the cooking area and visibility of the food to enhance the overall cooking experience
STAINLESS STEEL GRILL AND TEPPANYAKI PLATE	Removable and reversible open grill plates made from high quality stainless steel and 5mm Stainless Steel Teppanyaki Plate with easy lift handles
COMFORT ELECTRONIC IGNITION SYSTEM	BBQ can be lit without the use of flammable and explosive matches and lighters. The ergonomic controls are conveniently located to the side of the BBQ, helping to maximize the grilling surface with power level indicators.

DISTRIBUTED BY ARISIT PTY LTD

40-50 Mark Anthony Drive, Dandenong South VIC 3175
 Ph: 1300 762 219 Fax: 03 9768 0838 Website: www.arisit.com

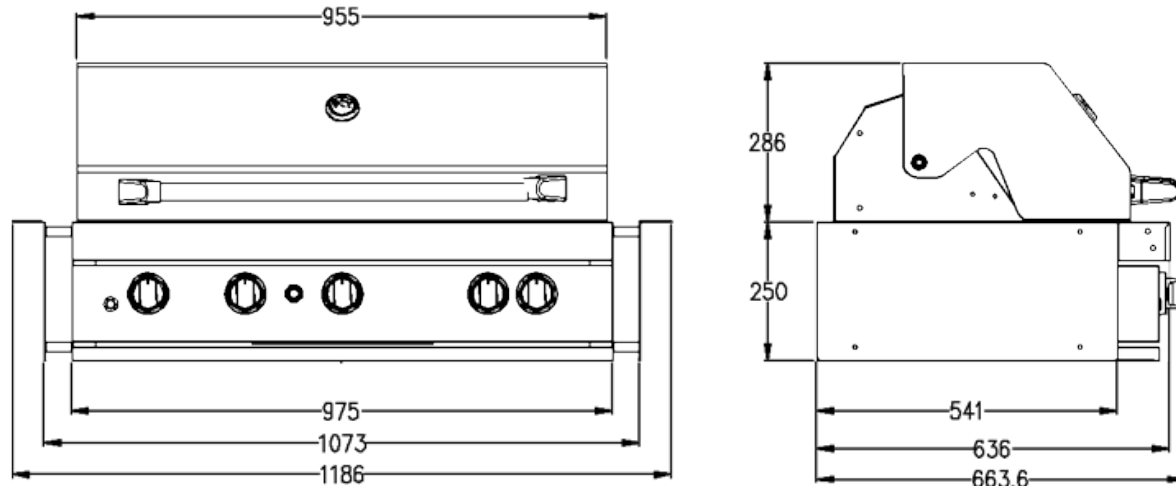
BUILT-IN 5 BURNER GAS BBQ IN BLACK
MOTORISED ROTISSERIE & LIGHTING SYSTEM



SIR-BG3101-BLK

BLUE LED LIGHTING AND CONTROLS	Each of the BBQ's control knobs features long-lasting & energy efficient blue LED lights helping to make night time entertaining super easy and safe.
FLAME FAILURE	Increased safety, reduced gas waste, peace of mind, compliance with safety standards, and user-friendly operation
LPG JETS FITTED. CAN BE CONVERTED TO NATURAL GAS	The BBQ comes equipped for LPG out of the box and can be converted for usage with Natural Gas by an authorised professional. (Conversion kit needs to be purchased separately)
UV PROTECTED COVER	Your BBQ will not only last longer but will also look better when protected with the weather proof cover provided as a standard additional extra.
ROTISSERIE KIT	This rotisserie kit includes a motor, rod, and forks, can hold up to 7kg of food, and is designed to be plugged into a 10-amp GPO for power.
INCLUDED EXTRAS	Weather Proof UV Protected Cover, S/Steel Warming Rack & Removable Grease Drip Tray

PRODUCT DIMENSIONS



DISTRIBUTED BY ARISIT PTY LTD

40-50 Mark Anthony Drive, Dandenong South VIC 3175
 Ph: 1300 762 219 Fax: 03 9768 0838 Website: www.arisit.com

BUILT-IN 5 BURNER GAS BBQ IN BLACK
MOTORISED ROTISSERIE & LIGHTING SYSTEM



SIR-BG3101-BLK

MODEL	SIR-BG3101-BLK
FUEL	LPG (can be converted to Natural Gas with a conversion kit)
BBQ BURNERS	5
INFRARED	1 x Under Tepp and 1 x Rotisserie
BBQ CONSTRUCTION (HOOD, CONTROL PANEL & CHASSIS)	304 Grade Stainless Steel
TUBE BURNERS	304 Grade Stainless Steel
FLAME TAMERS	304 Grade Stainless Steel
DOUBLE SKINNED HOOD	Yes
TOTAL GAS CONSUMPTION	59.5 MJ
MOTORISED ROTISSERIE	Yes
CONTROLS LIGHTING	Blue LED Lighting on Each Knob
INTERNAL BBQ CAVITY LIGHTING	Yes 2 x Halogen
IGNITION	Confort Electronic Ignition System
FLAME FAILURE SAFETY SHUT-OFF	Yes
GRILL PLATE MATERIAL	5mm Stainless Steel
OPEN GRILL PLATE DIMENSIONS	(W) 510mm x (D) 456mm x (H) 5mm
TEPPANYAKI PLATE DIMENSIONS	(W) 340mm x (D) 445mm x (H) 5mm
TOTAL COOKING AREA	(W) 865mm x (D) 450mm
HOOD DIMENSIONS	Open Including Handle from cooking area (W) 955mm x (D) 538mm x (H) 590mm Closed Including Handle from cooking area (W) 955mm x (D) 630mm x (H) 286mm
GROSS PRODUCT WEIGHT	71KG
TOTAL PRODUCT DIMENSIONS (WITH BRACKETS)	(W) 1187mm x (D) 663.6mm x (H) 536mm
CUT OUT DIMENSIONS	(W) 1073mm x (D) 541mm
PACKAGING DIMENSIONS	(W) 1005mm x (D) 600mm x (H) 740mm

WARNING: Technical specifications and product sizes can be varied by the manufacturer without notice. Cut outs for appliances should only be physical product measurements. The above information is indicative only.

This BBQ can only be operated in outdoor environments. Minimum clearances to combustible materials must be maintained.

For Natural Gas Conversion please refer to the product user manual. This processed should only be done by an authorised professional.

DISTRIBUTED BY ARISIT PTY LTD

40-50 Mark Anthony Drive, Dandenong South VIC 3175
 Ph: 1300 762 219 Fax: 03 9768 0838 Website: www.arisit.com

BUILT-IN 5 BURNER GAS BBQ IN BLACK

MOTORISED ROTISSERIE & LIGHTING SYSTEM



SIR-BG3101-BLK

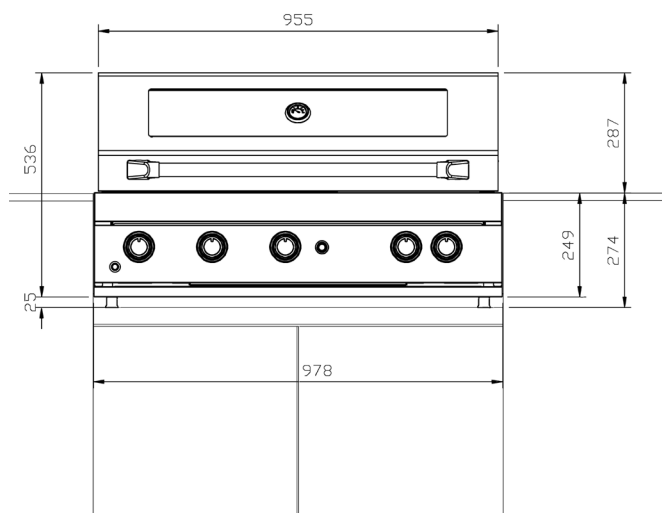
Do not cut your cabinetry or bench tops until you have physically received your Sirius BBQ to ensure optimum results. The cut out dimensions provided on this sheet are indicative only as requirements for each install will vary. Upon receiving your Sirius BBQ, individually measure the relevant sections to ensure optimum fittings.

Install Method One

BBQ Sits Directly Onto Cabinetry With Provided 25mm Feet

Recommended Cut Out Dimensions:
(w) >978mm x (h) 274mm x (d) 541mm

Ensure minimum 180mm rear clearance behind the BBQ to any wall to allow for the BBQ hood to open



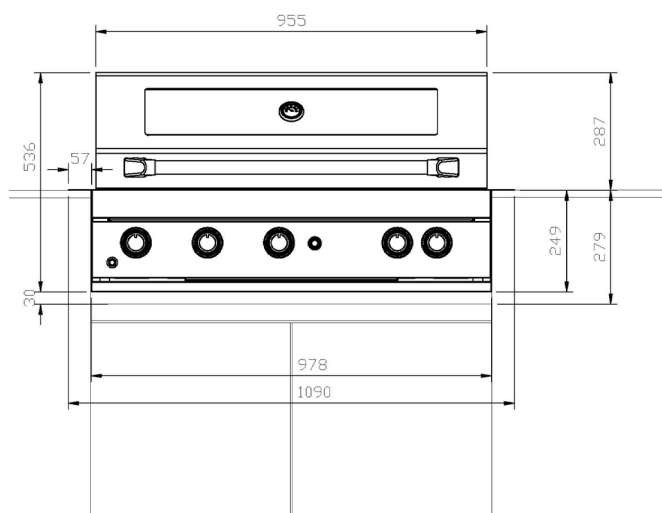
Install Method Two

BBQ Uses Mount Bracket To Rest Onto Cabinetry (No Spacer)

Recommended Cut Out Dimensions:
(w) >979mm x (h) 279mm x (d) 541mm

Ensure minimum 180mm rear clearance behind the BBQ to any wall to allow for the BBQ hood to open

Installation must allow a minimum 30mm clearance below the BBQ to allow for ventilation and to stop build up of heat which can damage your cabinetry and BBQ.



Install Method Three

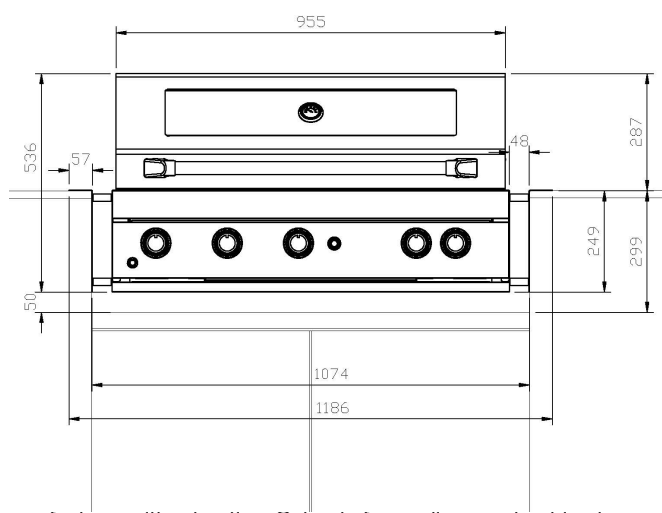
BBQ Uses Mount Bracket With 50mm Spacer To Rest Onto Cabinetry (Ideal For Cabinetry Made Of Wood/Timber)

For Safety reasons, this BBQ must have a minimum 50mm clearance from any combustible materials. This is the only installation method available if you are installing the BBQ onto cabinetry made of combustible materials such as wood.

Recommended Cut Out Dimensions:
(w) 1074mm x (h) 299mm x (d) 541mm

Note: Cut Out width must be bigger than 1074mm and smaller than 1186mm for the side mount bracket to rest on the edges of cabinetry.

Ensure minimum 180mm rear clearance behind the BBQ to any wall to allow for the BBQ hood to open



WARNING: Technical specifications and product sizes can be varied by the manufacturer without notice. Cut outs for appliances should only be physical product measurements. The above information is indicative only.

This BBQ can only be operated in outdoor environments. Minimum clearances to combustible materials must be maintained.

For Natural Gas Conversion please refer to the product user manual. This processed should only be done by an authorised professional.

DISTRIBUTED BY ARISIT PTY LTD

40-50 Mark Anthony Drive, Dandenong South VIC 3175
Ph: 1300 762 219 Fax: 03 9768 0838 Website: www.arisit.com