

# Freestanding Quad Door Refrigerator Freezer, 79cm, 498L

Series 7 | Contemporary

Stainless Steel | French hinge



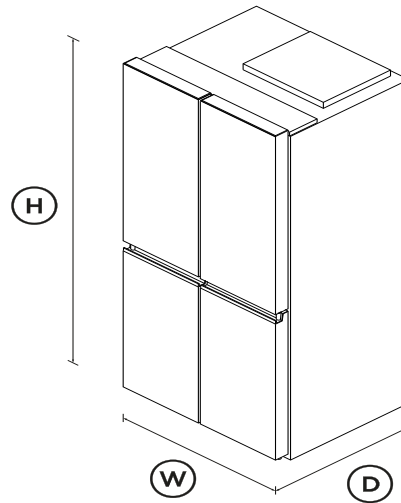
With flexible storage and a sleek, slimline design, this model will complement any kitchen perfectly.

- Recessed handles for a sleek look to complement any kitchen design
- ActiveSmart™ Foodcare helps keep food fresher for longer by maintaining the ideal temperature
- Exceptional 5 star energy rating

- Wi-Fi enabled and works with the SmartHQ™ app for remote control and notifications

## DIMENSIONS

Height	1790mm
Width	790mm
Depth	692mm



## FEATURES & BENEFITS

### ACTIVESMART™ FOODCARE

ActiveSmart™ Foodcare learns how you live. It's technology which understands how you use your refrigerator and adjusts temperature, airflow and humidity inside to help keep food fresher for longer.

### CLEVER ENERGY

With an exceptional 5 star energy rating, this refrigerator adapts to daily use by cooling and defrosting only when necessary. This means it uses the energy it needs without compromising on food care.

### SLIMLINE DESIGN

With a sleek, slimline design and recessed handles, this quad door refrigerator is perfect for compact kitchens. Choose from natural stainless steel or elegant black stainless steel to suit your kitchen aesthetic.

### HUMIDITY CONTROL

Your fruit and vegetables need different environments. The humidity control slides in each storage bin create a microclimate that helps to keep food fresher for longer.

### DESIGN QUALITY

Our refrigerators are designed and built using robust, quality materials, with stainless steel exteriors and solid glass for the interior shelving.

### SIMPLE STORAGE

This refrigerator is designed to make it simple for you to store, access and remove food. Storage bins give you full access inside when they're pulled open and can be easily removed to clean. Our flexible shelving also gives you more storage options.

## SPECIFICATIONS

### Capacity

Volume **498L**

### Consumption

Energy rating **5 star**  
 Energy usage refrigerator **320kWh/year**

### Features

Adjustable door shelves **6**

Adjustable glass cantilevered	•
Door alarm	•
Front levelling feet	•
Fruit and vegetable bins	1
Full extension runners	•
LED lighting	•
Rear rollers	•
Wi-Fi capable	•

**Freezer Features**

Bottle chill	•
Door alarm	•
Fast freeze	•
Freezer bins	4
Freezer trays	2

**Installation Dimensions**

Minimum inside width of	<b>830mm</b>
Minimum internal depth of	<b>640mm</b>
Minimum internal height of	<b>1810mm</b>

**Performance**

ActiveSmart™ Foodcare	•
Automatic defrost	•
Eco friendly R600a refrigerant	•
Frost free freezer	•
Humidity control system	•
Inverter controlled compressor	•
Noise emissions	<b>40dBA</b>

Sabbath mode	•
--------------	---

**Power requirements**

Rated current	<b>2A</b>
Supply frequency	<b>50Hz</b>
Supply voltage	<b>220-240V</b>

**Product dimensions**

Depth	<b>692mm</b>
Depth (less door)	<b>614mm</b>
Height	<b>1790mm</b>
Width	<b>790mm</b>

**Warranty**

Parts and labour	<b>2 years</b>
------------------	----------------

SKU	26621
-----	-------

The product dimensions and specifications in this page apply to the specific product and model. Under our policy of continuous improvement, these dimensions and specifications may change at any time. You should therefore check with Fisher & Paykel's Customer Care Centre to ensure this page correctly describes the model currently available. ? Fisher & Paykel Appliances Ltd 2020

**Other product downloads available at fisherpaykel.com**

- [↓](#) User Guide Quad Door Refrigerator Freezer
- [↓](#) Energy Label Freestanding Quad Door Refrigerator Freezer
- [↓](#) Installation Guide ActiveSmart Refrigerator
- [↓](#) Data Sheet Quad Door Refrigerator Freezer



**A PEACE OF MIND SALE**

**24 Hours 7 Days a Week Customer Support**

**T 1300 650 590 Wwww.fisherpaykel.com**