

## iQ700 Compact oven with microwave CM833GBB1A



reddot design award  
winner 2018

Shorten your cooking time thanks to fast preheat.

- ✓ varioSpeed: up to 50% time-saving thanks to integrated microwave; fast preheat: reach the required baking temperature sooner.
- ✓ varioSpeed: up to 50% time-saving thanks to integrated microwave; fast preheat: reach the required baking temperature sooner.
- ✓ fast preheat: reach the required baking temperature sooner.

### Features

#### Technical Data

Type of micro-wave oven : MW-Combi  
 Type of control : Electronic  
 Color / Material Front : Black  
 Dimensions of the product (mm) : 455 x 594 x 548  
 Cavity dimensions (mm) : 237.0 x 480 x 392.0  
 Length electrical supply cord (cm) : 150  
 Net weight (kg) : 34.233  
 Gross weight (kg) : 37.0  
 EAN code : 4242003832820  
 Maximum micro-wave power (W) : 900  
 Connection Rating (W) : 3600  
 Current (A) : 16  
 Voltage (V) : 220-240  
 Frequency (Hz) : 60; 50  
 Plug type : no plug



### Included accessories

- 1 x combination grid
- 1 x universal pan

### Optional accessories

- |          |  |
|----------|--|
| HZ636000 | Glass pan                              |
| HZ632070 | Multipurpose pan, anthracite enamelled |
| HZ632010 | Universal pan, non-stick coated        |
| HZ631070 | Baking tray, anthracite enamelled      |
| HZ625071 | Grill tray, anthracite enamelled       |
| HZ617000 | Pizza pan, anthracite enamelled        |
| HZ327000 | Baking stone                           |

## iQ700

### Compact oven with microwave

#### CM833GBB1A

#### Features

##### Heating Functions

- Compact oven with microwave with 6 heating methods:
- 4D HotAir
- 4D HotAir Eco
- Hot air grilling
- Full width grill
- Half width grill
- Plate warming setting
- Additional heating methods with microwave: Pure microwave, Combination microwave and conventional oven
- Temperature range 30 °C - 275 °C
- Cavity volume: 45 net usable litres

##### Design

- black Steel Design
- Rotary Control
- Anthracite enamel cavity with 3 shelf levels

##### Cleaning

- Microwave top door

##### Convenience

- 2,8"-TFT-color and text display with touch-control buttons
- Temperature proposal
- Actual temperature displayActual temperature display
- softMove: gentle opening and closing of the oven door.
- Electronic clock and timer
- Rapid heating-up
- LED lighting
- Integrated cooling fan
- Stainless-steel fan
- Info button
- Bar handle

##### Accessories

- 1 x combination grid, 1 x universal pan

##### Safety and Environment

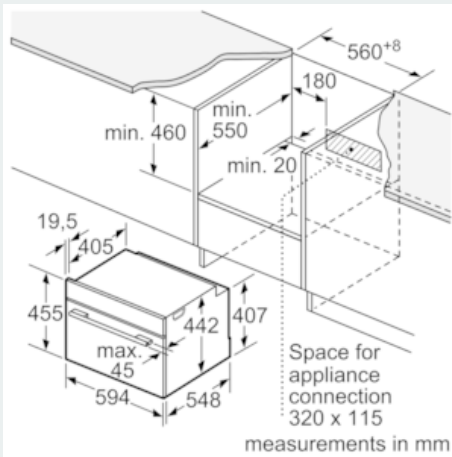
- Door temperature 40 degrees
- Child lock for settings
- Automatic safety switch-off function
- Residual heat indicator
- start button
- Door contact switch

##### Technical Info

- Length of mains cable: 150 cm
- Nominal voltage: 220 - 240 V
- Total connected load electric: 3.6 KW
- Appliance dimensions (HxWxD): 455 mm x 594 mm x 548 mm
- Installation dimensions (HxWxD): 450 mm - 455 mm x 560 mm - 568 mm x 550 mm
- Please reference the built-in dimensions provided in the installation drawing

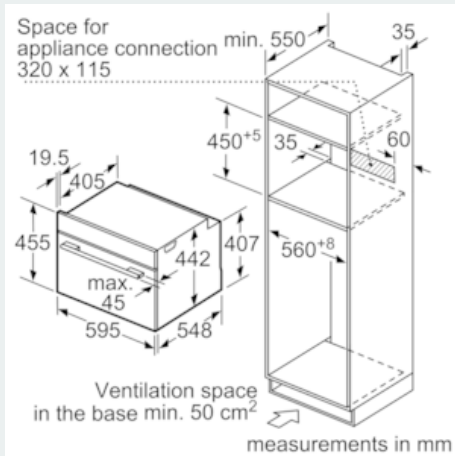
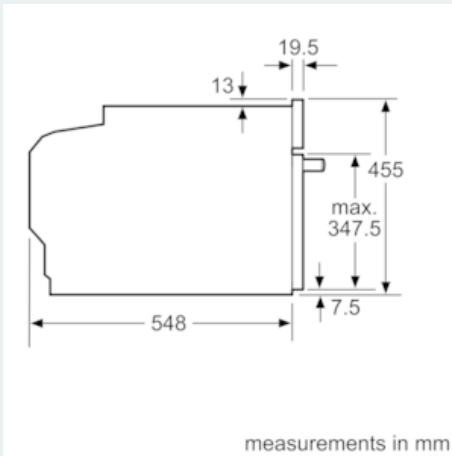
iQ700  
Compact oven with microwave  
CM833GBB1A

Dimensioned drawings



If the compact appliance will be installed underneath a hob, the following worktop thicknesses (including substructure if necessary) must be taken into account.

Hob type	min. worktop thickness	
	fitted	flush
Induction hob	42 mm	43 mm
Full surface Induction hob	52 mm	53 mm
Gas hob	32 mm	43 mm
Electric hob	32 mm	35 mm



Installation with a hob.

