

WWH860 WCS PWash&TDos&8kg

W1 front loader washing machine:

with TwinDos and SingleWash for laundry care that saves time and energy.



- Automatic detergent dispensing at the touch of a button – TwinDos
- Cleaning could not be faster – QuickPowerWash
- Wash individual garments quickly and economically – SingleWash
- Miele@home – clever networking opens up new possibilities*
MobileControl ensure complete flexibility using the Miele App
- Display & convenient operation at your fingertips – ComfortSensor

Construction type	
Suitable for stacking	•
Side-by-side	•
Slot-in	•
Door hinge	right
Model	
Product brand	W1 White Edition
Front-loader	•
Spinning	
Max. spin speed	1,400
Rinse hold	•
"Without spin" function	•
Design	
Appliance colour	Lotus white
Control panel colour	Lotus white
Door design	Obsidian black with chrome ring
Rotary selector colour	Lotus White / Chrome ring
Control panel version	5° incline
Control type	Rotary selector
Display	ComfortSensor white, 1 line
Cleaning performance	
Innovative PowerWash technology	•
TwinDos automatic detergent dispensing	•
CapDosing portioned dispensing	•
Stains option	•
Proven virus hygiene	•
Gentle laundry care	
Honeycomb drum	•
Load in kg	8,0
User convenience	
Networking with Miele@home	•
Delay start up to 24 hours	•
Time left display	•
Programme sequence indicator	•
MultiLingua	•
AutoClean detergent drawer	•
Efficiency and sustainability	
Hot water connection	•
EcoFeedback	•
Low temperature wash "Cold" and "20 °C"	•
Automatic load control	•
Flow meter	•
Foam sensing	•
ProfiEco motor	•

WWH860 WCS PWash&TDos&8kg

W1 front loader washing machine:

with TwinDos and SingleWash for laundry care that saves time and energy.



Wash programmes	
QuickPowerWash	•
Automatic plus	•
Cottons (coloureds)	•
Minimum iron	•
Delicates	•
Shirts	•
Silk (hand-washable)	•
Woolens (hand-washable)	•
Express 20	•
Dark garments / Denim	•
Outerwear	•
Proofing	•
Sportswear	•
Down duvets	•
Pillows	•
Down	•
Curtains	•
Cottons hygiene	•
Clean machine	•
First wash	•
Separate rinse/Starch	•
Drain / Spin	•
ECO 40-60	•
Drying programmes	
Down-filled items	•
Washing extras	
SingleWash	•
Short	•
Soak	•
Pre-wash	•
Water plus	•
Additional rinse cycle	•
Extra quiet	•
Pre-ironing	•
Buzzer	•
AllergoWash	•
Quality	
Suds container	Stainless Steel
Counterweights made of cast iron	•

WWH860 WCS PWash&TDos&8kg

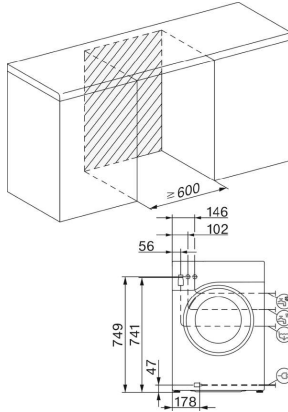
W1 front loader washing machine:
with TwinDos and SingleWash for laundry care that saves time and energy.



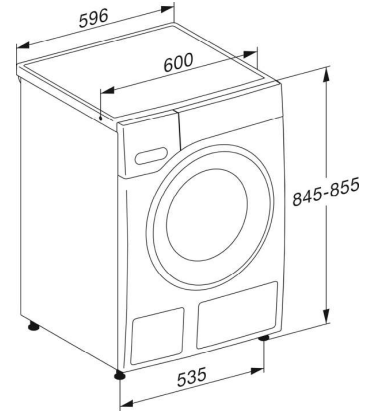
Safety	
Water protection system	Water Control System
Safety lock	•
PIN code lock	•
Optical interface	•
Technical data	
Dimensions in mm (width)	596
Dimensions in mm (height)	850
Dimensions in mm (depth)	643
Weight in kg	94.00
Total rated load in kW	2.300
Voltage in V	230
Fuse rating in A	10
Standard accessories	
3 Caps	•
UltraPhase 1+2	•
Voucher for 5 Miele UltraPhase cartridges	•

WWH860 WCS PWash&TDos&8kg

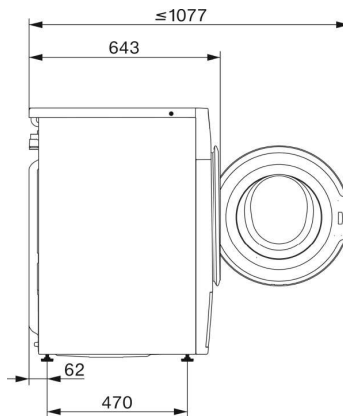
W1 front loader washing machine:
with TwinDos and SingleWash for laundry care that saves time and energy.



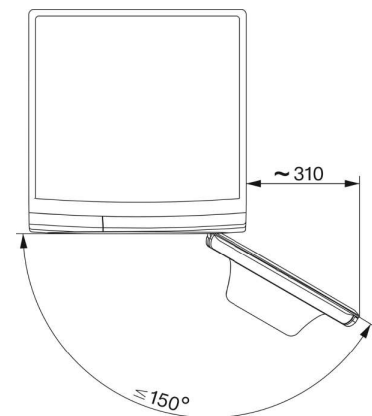
W1 drawing, facia 5 degree, measures in cm



W1 drawing, facia 5 degree, measures in cm



W1 drawing, facia 5 degree, measures in cm



W1 drawing, facia 5 degree, measures in cm