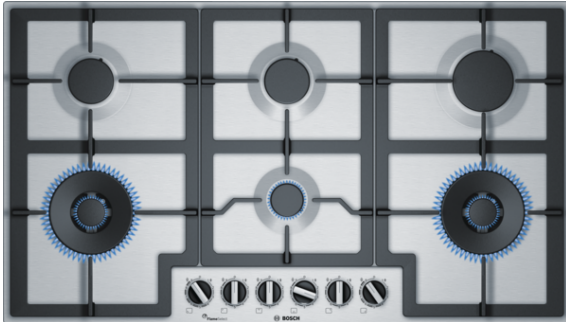


Serie | 6
**PCT9A5B90A
90 cm Gas Cooktop**

Included accessories

1 x cross support for espresso
1 x WOK attachment ring

The stainless-steel gas cooktop with FlameSelect: achieve perfect cooking results thanks to nine precisely defined power levels.

- **FlameSelect:** for a precise adjustment of the flame in nine defined levels.
- **Dual wok burner:** dual flame system for very powerful cooking at up to 19.5 Mj/h.
- **Continuous cast-iron pan support:** for high firmness and stability of cookware.
- **Sword knobs:** for an ergonomic control.
- **Surface colour:** Stainless steel

Technical Data

Product name/family :	gas hob w integrated controls
Construction type :	Built-in
Energy input :	Gas
Total number of positions that can be used at the same time :	6
Required niche size for installation (HxWxD) :	45 x 850-852 x 490-502
Width of the product (mm) :	915
Dimensions of the product (mm) :	45 x 915 x 520
Dimensions of the packed product (HxWxD) (mm) :	165 x 1116 x 659
Net weight (kg) :	20.766
Gross weight (kg) :	23.0
Residual heat indicator :	without
Location of control panel :	Hob front
Basic surface material :	Stainless steel
Color of surface :	Stainless steel
Color of frame :	Stainless steel
Approval certificates :	Australia Standards, Australia Standards
Length electrical supply cord (cm) :	100
EAN code :	4242002914626
Electrical connection rating (W) :	1
Gas connection rating (W) :	17500
Current (A) :	3
Voltage (V) :	220-240
Frequency (Hz) :	50; 60



4 242002 914626

Serie | 6 Cooktops

PCT9A5B90A

90 cm Gas Cooktop

The stainless-steel gas cooktop with FlameSelect: achieve perfect cooking results thanks to nine precisely defined power levels.

Design

- Stainless steel
- Enamelled cast-iron trivets with rubber feet

Comfort & Convenience

- FlameSelect (9 steps)
- sword knobs
- One-hand electronic ignition via controls

Size & Power

- 6 Gas burners
- Dual flame wok burner
- 1 High-speed, 2 Standard, 1 Economy, 2 Dual Wok burners
- Left rear: Standard burner 6.85 Mj/h
- Left front: Wok burner 19.5 Mj/h
- Center rear: Standard burner up to 6.85 Mj/h (depending on gas type)
- Center front: Economy burner up to 4 Mj/h (depending on gas type)
- Right rear: High-speed burner 11 Mj/h
- Right front: Wok burner 19.5 Mj/h

Safety and Environment

- Flame failure device fitted to each individual burner
- Preset to natural gas (10mbar)
- Suitable for natural gas (factory set-up) or LPG connection (via included conversion kit)

Dimensions (WxD)

- Appliance dimensions: (W x D) 915 mm x 520 mm
- Installation dimensions: (H x W x D) 45 mm x 850 mm x 490 mm
- Power cord length 100 cm with plug

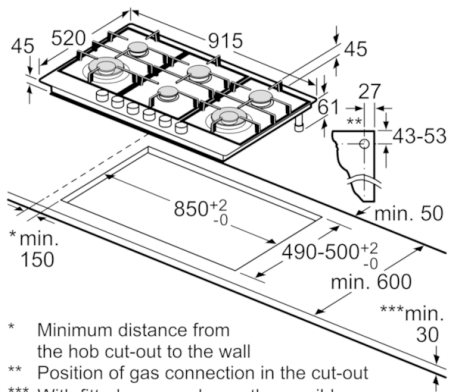
Supplied Accessories

- Liquid gas nozzles (28-30/37mbar) included

Serie | 6 Cooktops

PCT9A5B90A

90 cm Gas Cooktop



- * Minimum distance from the hob cut-out to the wall
 - ** Position of gas connection in the cut-out
 - *** With fitted oven underneath, possibly more; see space requirements for the oven
- measurements in mm