

Features

- Brass construction
- Durable KOHLER finishes resist corrosion and tarnishing
- Pin lever handle
- Coordinate with your choice of Components spout for a personalized design (spout sold separately)
- Includes escutcheon

WALL MOUNT SINGLE HANDLE - PIN LEVER

77980T-4A

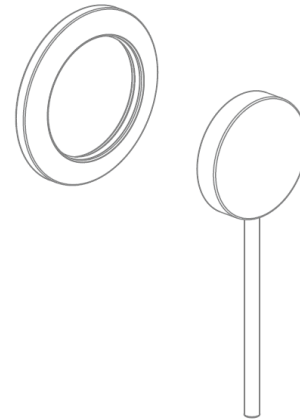
Codes/Applicable Standards

Specified model meets or exceeds the following

- AS NZS 3718-2005

Installation Notes

Install this product according to the installation guide.



Specified Models

SKU	Description	Color/Finish
77980T-4A	Components Wall Mount Single Handle - Pin Lever	CP: Polished Chrome, BN: Brushed Nickel, BL: Matte Black*

Note: For a full range of color finishes in your market please contact your local Kohler representative.

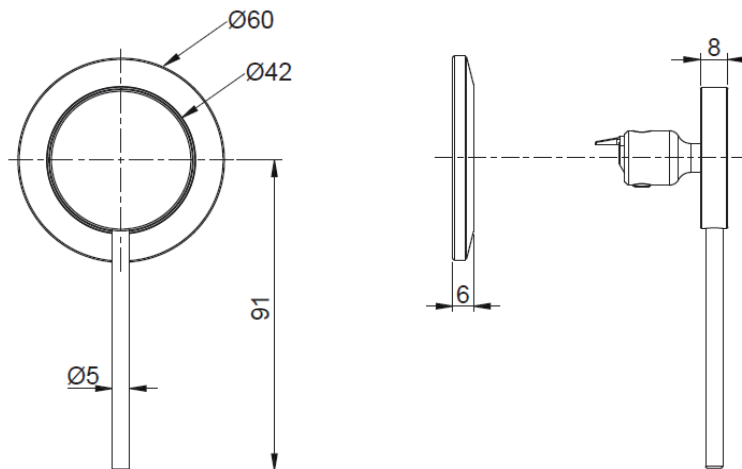
*BL launch date to be announced, CP & BN available now

Required Accessories

28138T-DR	Single Handle Inwall Valve	CP: Polished Chrome, BN: Brushed Nickel, BL: Matte Black*
23888T-ND	Components Wall Mount Basin Spout - Ribbon	CP: Polished Chrome, BN: Brushed Nickel, BL: Matte Black*
23889T-ND	Components Wall Mount Basin Spout - Row	CP: Polished Chrome, BN: Brushed Nickel, BL: Matte Black*
23890T-ND	Components Wall Mount Basin Spout - Tube	CP: Polished Chrome, BN: Brushed Nickel, BL: Matte Black*

Product Diagram

Dimensions are approximate
unit: mm



77980T-4A