



RC289500

3 x egg tray
1 x bottle holder in door tray
2 x wooden bottle holder magnetic

RA260000:
Heavy duty hinge support (RB 2x)

RA430100:
Storage container with lid, anthracite

Vario refrigerator 200 series
177.5 x 56 cm, soft close flat hinge
RC289500

- Glare-Free LED Light Spots
- Experience the epitome of freshness precise humidity control, and a sleek design that complements your sophisticated kitchen.
- Total volume 289 l.

Interior with precision-fitted, solid aluminium elements in Gaggenua Light Bronze
Fully extendable shelves and drawers
Intelligent lighting concept
3 climate zones incl. three fresh cooling drawers close to 0 °C
Height-adjustable, extendable safety glass shelves, set in solid aluminium profiles
Combines with freezer RF 287 (Side-by-side integration)
Cushioned door closing system allowing a soft and controlled door closure
Smooth running fully extendable telescopic pull-out racks and a cushioned closing system allow a soft and controlled closure of the drawers
Solid maple bottle supports with magnetic connector

Handling

Electronic temperature control with digital display.
Touch keys.

Technical Features

Automatic defrosting with defrost water evaporation.
Cushioned door closing system from 20° door opening angle, integrated in door hinge.
Open-door and malfunction alarm.
Home network integration for digital services (Home Connect) wireless via WiFi.
The use of the Home Connect functionality depends on the Home Connect services, which are not available in every country. For further information please check: home-connect.com.

Cooling

Fast cooling.
Temperature adjustable from +3 °C to +8 °C.
7 safety glass shelves, height adjustable, of which 1 is extendable.
1 frosted white glass shelf.
2 oiled, solid maple bottle supports with magnetic connector, can be increased to 5 supports per shelf.
A total of 9 bottles (based on a 0.75 l bottle) can be stored on one level using 5 bottle supports.
The bottle supports are also suitable for storing champagne bottles and magnums.
1 large aluminium door rack for bottles.
4 aluminium door racks.
Warm white interior lighting (3500 K) with integrated glare-free side lights.

Fresh cooling close to 0 °C

Drawers with solid aluminium handles and signature drawer front with a gradual frosted surface.
1 fully extendable fresh cooling drawer close to 0 °C, illuminated.
Humidity can be adjusted manually.
Ideal for fruit and vegetables.

2 fully extendable fresh cooling drawers close to 0 °C, illuminated.
Ideal for meat, fish and poultry.

Consumption data

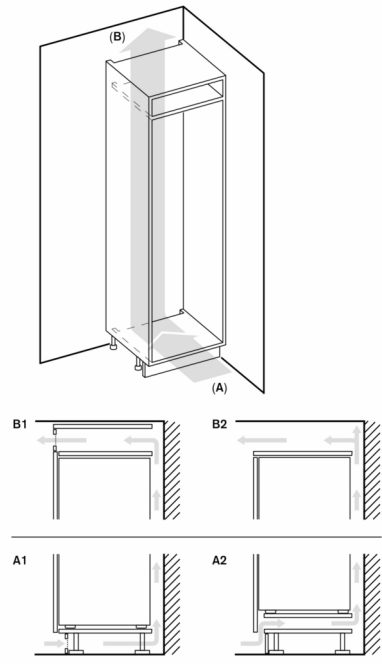
4 Stars (AU).
Energy consumption 155 kWh/year.
Noise level 36 dB (re 1 pW).

Planning notes

Flat hinge.
Door hinge right, reversible.
Door opening angle of 115°, fixable at 90°.
Max. door panel weight 22 kg.
For a side-by-side installation every appliance must be planned in its own niche.

Connection

Total connected load 0.090 KW.
Connecting cable 2.3 m with plug.



A: Air inlet $\geq 200 \text{ cm}^2$; ventilation options A1 or A2
 B: Air outlet $\geq 200 \text{ cm}^2$; ventilation options B1 or B2

