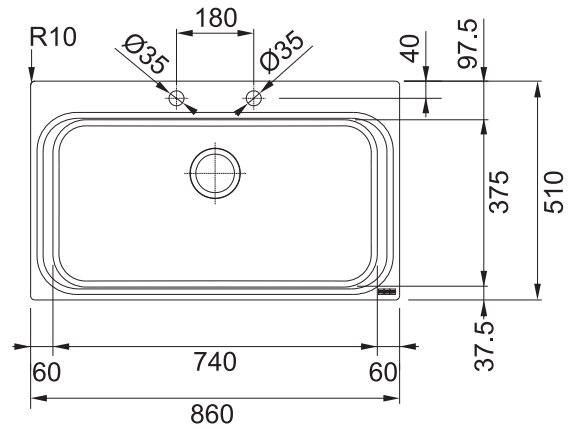


ACQUARIO LAUNDRY TUB

AEX610



PRODUCT INFORMATION

Installation	Topmount
Dimensions	860 x 510mm
Cabinet Base	800mm
Bowl Size	740 x 375 x 200mm/53L
Bowl Radius	10mm
Cut-Out Size	840 x 490mm, cr=10
Cut-Out Template	No
Waste Outlet	Semi Integrated Waste
Overflow	No
Tap Holes	ø35mm (x2)
Remote Waste	Yes
Finish	Stainless Steel
Warranty	50 Years

NOTE: Cut-out dimensions are a guide only, please use the actual sink as your template.

FEATURES & BENEFITS



18/10
Stainless
Steel

BARE SINK OPTION AND SOME SINK & TAP PACKAGES DO NOT INCLUDE ACCESSORIES.
PLEASE CHAT TO YOUR SALES CONSULTANT FOR FURTHER INFORMATION.

LAST UPDATED: 01 JUNE 2022

FRANKE