

CREST

Back-to-wall
odourless toilet suite

Milu
odourless
by expella™

Crest from the Milu Odourless range is an elegantly curved, back-to-wall toilet with soft modern lines.

The toilet features a patented in-built ventilation system that quietly extracts odours from the toilet bowl and discharges them directly into the sewer before they can be released into the bathroom.

Milu Odourless toilets incorporate rimless flush technology making them easy to clean. The range is manufactured in high quality vitreous china and comes with Geberit inlet and outlet valves.



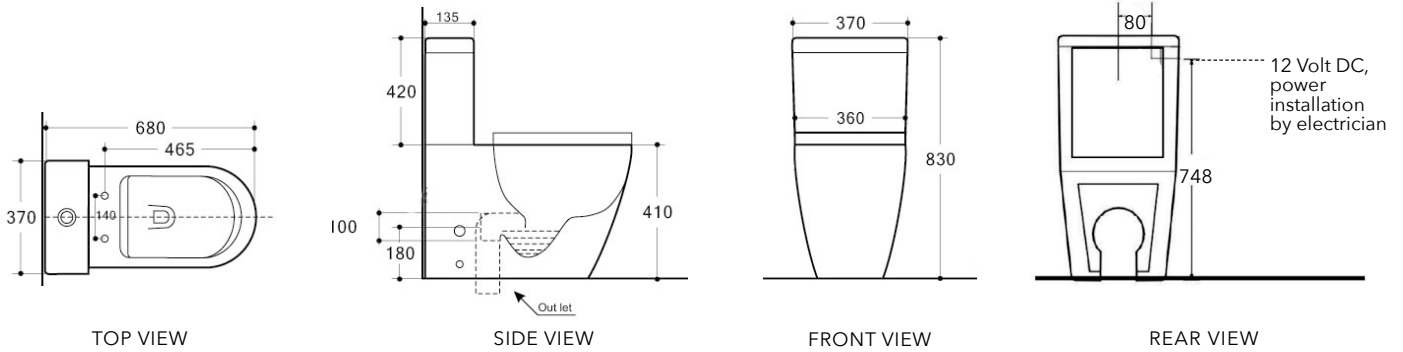
PRODUCT SPECIFICATIONS

Recommended use	Domestic, hotel, commercial
Water rating	WELS 4 Star at 4.5L flush and 3L flush. LIC. 1848
Compliance	Complies with Australian Standards - AS1172.1, AS1172.2, ATSS200.425.425:2009
Fixing	Toilet pan screwed and silicone to floor
Rim configuration	Rimless
Trap configuration	Universal
Material	Vitreous china
Seat	Thin soft close, quick release
Water inlet	Back inlet (left) or bottom inlet
Power supply	12 volt, 1.5amp (transformer provided). Rechargeable battery pack optional
Fan	Expella Odour Control Device

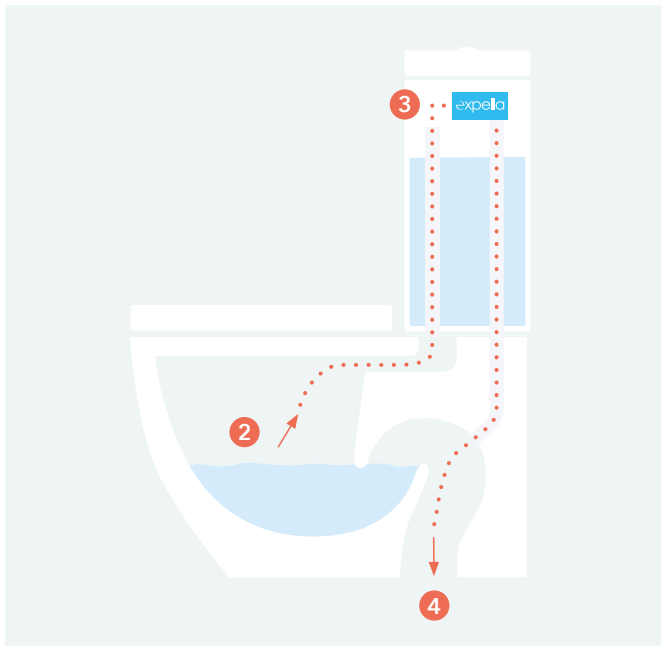
CREST

Back-to-wall odourless toilet suite

DIMENSIONS AND SET-OUT (all measurement specified in millimetres)



HOW IT WORKS



- 1 Expella's patented Odour Control Device (OCD) is hidden inside the cistern, it is activated by either a:
 - Light switch*
 - Manual switch*
 - Automatic sensor switch*
 - Battery pack with automatic sensor.*
- 2 The OCD contains an in-built extraction fan that draws odours from the bowl through the flush pipe.
- 3 Odours pass through the OCD, opening a non return valve that prevents odours returning.
- 4 Odours are discharged to the sewer.

* Switching not included

WARRANTY

Vitreous china	10 years
OCD	3 years
Valves	3 years
Seat	1 year



WaterMark

WMKA 23157

Patent: AU2007204583, AU2018000006

Milu
odourless
by expella™