

Serie | 4
WTH85200AU
8 kg, Tumble Dryer with Heat Pump

Excellent energy efficiency and Drying performance

- ActiveAir Technology saves energy by re-using heat throughout the drying cycle
- AntiVibration™ Design provides more stability and reduces vibration so noise is minimised.
- AutoDry saves time and energy by using its sensors to gauge the moisture level in the drum and automatically stopping the drying cycle once complete.
- **Sensitive Drying System:** ensures soft, even drying with its gentle drum structure.
- 7 Energy Star

Technical Data

Built-in / Free-standing :	Free-standing
Removable top :	No
Door hinge :	Right
Length electrical supply cord (cm) :	145.0
Height of removable worktop (mm) :	842
Dimensions of the product (mm) :	842 x 598 x 599
Net weight (kg) :	49.664
Fluorinated greenhouse gases :	Yes
Type of refrigerant :	R134a
Hermetically sealed equipment :	Yes
Quantity of fluorinated gases (kg) :	0.330
The quantity expressed in CO2 equivalent (t) :	0.472
EAN code :	4242002954721
Connection Rating (W) :	600
Current (A) :	10
Voltage (V) :	220-240
Frequency (Hz) :	50
Approval certificates :	CE, VDE
Capacity cotton (kg) - NEW (2010/30/EC) :	8.0
Standard cotton programme :	Cotton cupboard dry
Energy efficiency class (2010/30/EC) :	A++

Optional accessories

- WMZ20500 : Platform with pull-out
 WMZ20600 : Wool in basket - accessory
 WTZ11400 : Stacking kit with pull-out shelf
 WTZ20410 : Stacking kit



Serie | 4 Dryers

WTH85200AU

8 kg, Tumble Dryer with Heat Pump

Excellent energy efficiency and Drying performance

Capacity

- 8 kg capacity

Technical Information

- 7 Energy Stars
(Energy consumption 150 kWh per year on Cottons Extra Dry)

Programmes

- Cottons and Easy Care, Wool, Mixed Load, Towels, Timed program warm, Timed program cold, Sportswear, Super Quick 40 minutes program, Shirts/blouses

Performance

- ActiveAir Technology
- AntiVibration design: for greater stability and quietness
- Sensor drying, monitors the temperature and moisture content to ensure garments are dried to the desired setting
- Sensitive Drying System for soft and even drying of clothes
- Anti crease cycle 120 min at the end of the programme

Convenience

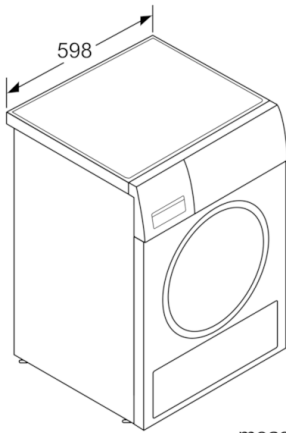
- 2 time-based programs
- Easy clean filter for easy maintenance
- End of cycle indicator
- Warning indicator for lint filter
- Time delay to select end of time of your wash (1-24 hours) and time remaining indicator
- Child-proof lock

Design

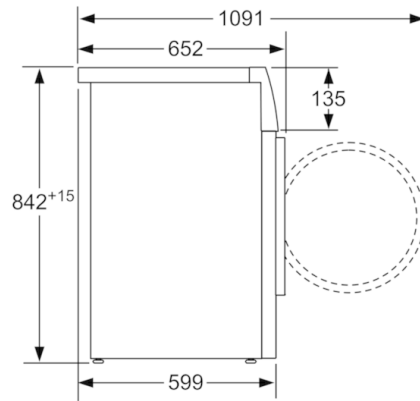
- Touch control buttons: start/pause, Low Heat, Easy Iron, Programme progress indicator, Fine-tuning of drying aim, 24 h end time delay

Technical Information

- Dimensions (H x W x D): 84.2 cm x 59.8 cm x 59.9 cm (65.2 cm with door frame)

Serie | 4 Dryers**WTH85200AU****8 kg, Tumble Dryer with Heat Pump**

measurements in mm



measurements in mm