

## iQ700 Oven HB875G8B1A



**reddot design award  
winner 2018**

Shorten your cooking time thanks to fast preheat and activeClean®.

- ✓ fast preheat: reach the required baking temperature sooner.
- ✓ activeClean: the automatic system for effortless cleaning.
- ✓ TFT Display: good readability from any perspective.
- ✓ roastingSensor Plus: simply reliable roasting.
- ✓ 4D hotAir: flexible choice of shelf.

### Features

#### Technical Data

Color / Material Front : Black  
 Built-in / Free-standing : Built-in  
 Integrated Cleaning system : Pyrolytic  
 Required niche size for installation (HxWxD) : 585-595 x 560-568 x 550  
 Dimensions of the product (mm) : 595 x 594 x 548  
 Dimensions of the packed product (HxWxD) (mm) : 670 x 680 x 670  
 Control Panel Material : Glass  
 Door Material : Glass  
 Net weight (kg) : 40.772  
 Usable volume of cavity (l) : 71  
 Cooking method : , 4D hot air, Bottom heat, Conventional heat, Deep-frozen food special, Full width grill, Half width grill, Hot Air-Eco, Hot air grilling, low temperature cooking, Pizza setting, pre-heating, warming  
 First cavity material : Enamelled  
 Temperature control : electronic  
 Number of interior lights : 1  
 Approval certificates : CE, VDE  
 Length electrical supply cord (cm) : 120  
 EAN code : 4242003830819  
 Number of cavities (2010/30/EC) : 1  
 Energy efficiency class (2010/30/EC) : A  
 Energy consumption per cycle conventional (2010/30/EC) : 0.90  
 Energy consumption per cycle forced air convection (2010/30/EC) : 0.74  
 Energy efficiency index (2010/30/EC) : 87.1  
 Electrical connection rating (W) : 3600  
 Current (A) : 16  
 Voltage (V) : 220-240  
 Frequency (Hz) : 50; 60  
 Plug type : no plug



4 242003 830819

#### Included accessories

- 1 x grill tray
- suit. pyrol. clean.
- 2 x combination grid
- 1 x universal pan

#### Optional accessories

- HZ636000 Glass pan
- HZ633070 Professional pan, anthracite enamelled
- HZ633001 Lid for professional pan, enamelled anth
- HZ632070 Multipurpose pan, anthracite enamelled
- HZ631070 Baking tray, anthracite enamelled
- HZ625071 Grill tray, anthracite enamelled
- HZ617000 Pizza pan, anthracite enamelled
- HZ327000 Baking stone

# iQ700

## Oven

### HB875G8B1A

#### Features

##### Heating Functions

- Oven with 13 heating methods:
- 4D HotAir
- 4D HotAir Eco
- Top/ bottom heating
- Top/bottom heating Eco
- Hot air grilling
- Full width grill
- Half width grill
- Pizza setting
- coolStart (deep-frozen food special)
- Bottom heating
- Low temperature cooking
- Plate warming setting
- Keep Warm
- Temperature range 30 °C - 300 °C
- Cavity volume: 71 net usable litres

##### Design

- black Steel Design
- Rotary Control
- Anthracite enamel cavity with 5 shelf levels

##### Cleaning

- activeClean® – automatic self-cleaning function with automatic safety door lock
- Pyrolytic proof trayholder and baking tray
- Full glass inner door

##### Convenience

- 2,8"-TFT-color and text display with touch-control buttons
- Temperature proposal
- Actual temperature display
- Actual temperature display
- Sabbath setting
- softMove: gentle opening and closing of the oven door.
- Number of automatic programmes: 10 PC
- roastingSensor with three measuring points
- Electronic clock and timer
- Rapid heating-up
- Halogen lighting
- Integrated cooling fan
- Stainless-steel fan
- Info button
- Bar handle

##### Hook-in racks / rails

- Cavity with shelf support rails, 3 level telescopic shelf rails, full extension, with safety stop function, pyrolytic proof

##### Accessories

- 1 x grill tray, suit. pyrol. clean., 2 x combination grid, 1 x universal pan

##### Safety and Environment

- Maximum door temperature 30° C
- Child lock for settings
- Automatic safety switch-off function
- Residual heat indicator
- start button

- Door contact switch

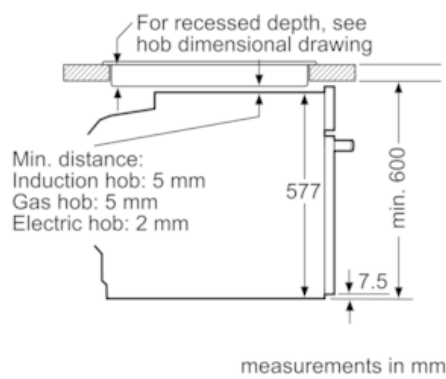
##### Technical Info

- Length of mains cable: 120 cm
- Total connected load electric: 3.6 KW
- Appliance dimensions (HxWxD): 595 mm x 594 mm x 548 mm
- Installation dimensions (HxWxD): 585 mm - 595 mm x 560 mm - 568 mm x 550 mm
- Please reference the built-in dimensions provided in the installation drawing

**iQ700**  
**Oven**  
**HB875G8B1A**

Dimensioned drawings

Installation with a hob.



If the appliance will be installed underneath a hob, the following worktop thicknesses (including substructure if necessary) must be taken into account.

| Hob type                   | min. worktop thickness |       |
|----------------------------|------------------------|-------|
|                            | fitted                 | flush |
| Induction hob              | 37 mm                  | 38 mm |
| Full surface Induction hob | 47 mm                  | 48 mm |
| Gas hob                    | 30 mm                  | 38 mm |
| Electric hob               | 27 mm                  | 30 mm |

