



Color Variants
AL400192
stainless steel
Width 90 cm

AL400192
Table ventilation 400 series
stainless steel
Width 90 cm
Air extraction / Air recirculation
Motorless



Extendable table ventilation, when not in use can be completely lowered into the worktop

Can be combined perfectly with all Vario cooktops 400 series
 Dimmable, neutral white surface LED light for ideal illumination of the whole cooktop

Precision crafting of 3 mm stainless steel

For surface mounting with a visible edge or for flush mounting
 Motorless, can be combined with Gaggenau BLDC remote fan units

Output

Power levels depend on the remote fan unit.

Features

3 electronically controlled power levels and 1 intensive mode.
 Interval ventilation, 6 min.
 Run-on function, 6 min.

Grease filter saturation indicator.
 2 large-scale metal grease filters included, easy to remove, dishwasher-safe.

Grease drip trays, easy to remove and dishwasher-safe.

Neutral white surface LED light (3600 K), continuously dimmable.

Lamp output 4 x 10 W.

Illuminance 400 lx.

Flexible connection options to the remote fan unit: at the bottom, at the front or at the back.

In all the options, it is possible to have space for drawers in front of the table ventilation.

Consumption data

Consumption data is referred to a configuration with the remote fan unit AR 400 142.

Energy consumption 45.5 kWh/year.

Ventilation efficiency class A.

Illumination efficiency class C.

Grease filter efficiency class B.

Sound level min. 45 dB / max. 61 dB normal mode.

Planning notes

Combinable with all cooktops Vario 400 series, 400 series and 200 series.
 Maximum cooktops width: 90 cm.

Depending on the type of installation, the corresponding accessories must be ordered separately.

Air recirculation is not recommended in combination with Vario electric grill.

Operation of Vario cooking appliances only possible without appliance cover.

Max. output of cooktops 18 kW.

The table ventilation must have its own worktop cut-out.

The bearing capacity and stability, in the case of thin worktops in particular, must be supported using suitable substructures. Take into account the appliance weight and additional loads. The remaining surface of the worktop (min. 50 mm) between the cut-outs must be reinforced with a support. It is recommended to use furniture support AA 409 401/431.

Additional instructions for flush mounting:

Characteristics

Product name/family

Color chimney

Typology

Downdraft

Approval certificates

Australia Standards, CE, Eurasian, G-Mark, VDE

Length electrical supply cord

170

Required niche size for installation (HxWxD)

540mm x 840.0mm x 125mm

Height of the chimney

Height of product, without chimney

540

Minimum distance above an electric cooktop

Minimum distance above a gas cooktop

Net weight

34.0

Type of control

Electronic

Number of power settings

3-stages + intensive setting

Maximum output air extraction

600

Boost position output recirculating

Maximum output recirculating air

530

Boost position air extraction

Number of lights

4

Noise level

61

Diameter of air outlet

Grease filter material
 Washable stainless steel

EAN code

4242006298944

Connection Rating

65

Fuse protection

10

Voltage

230

Frequency

50; 60

Plug type

Gardy plug w/ earthing, GB plug

Installation type

Built-in

Consumption and connection features

2022-08-26

Page 1

Installation is possible in worktops made of stone, synthetics or solid wood. Heat resistance and watertight sealing of the cut edges must be observed. Concerning other materials please consult the worktop manufacturer.

Depending on the type of installation, ovens can be combined with the table ventilation.

When installing a ventilation hood with air extraction mode and a chimney-vented fireplace, the power supply line of the ventilation appliance needs a suitable safety switch.

The control unit should be accessible and be secured to a panel of the cabinet that avoids any risk of flooding.

Connection

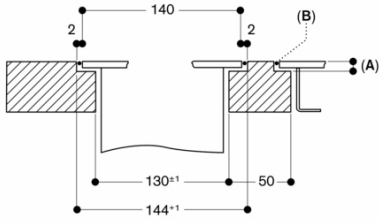
Total connected load 65 W.

Connecting cable 1.7 m with plug.

Network cable 1.2 m.

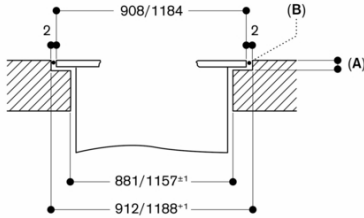
AL400192
 Table ventilation 400 series
 stainless steel
 Width 90 cm
 Air extraction / Air recirculation
 Motorless
 2022-08-26
 Page 2

Cross section

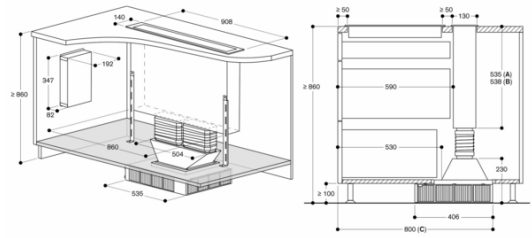


A: 3.5^{±0.5} mm
 B: Fill with silicone
 Measurements in mm

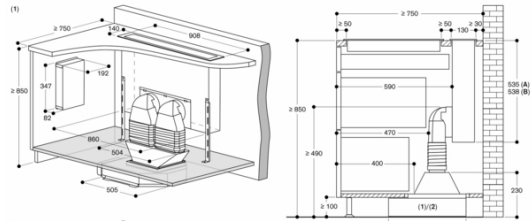
Longitudinal section



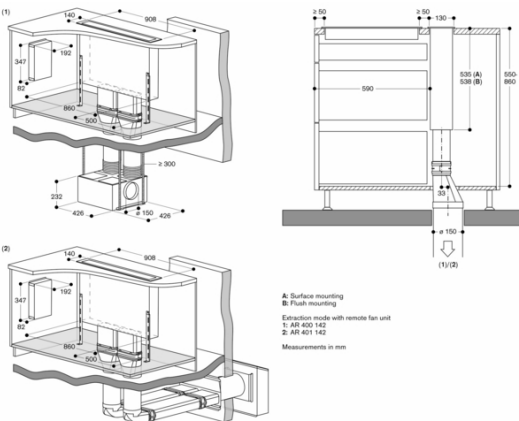
A: 3.5^{±0.5} mm
 B: Fill with silicone
 Measurements in mm



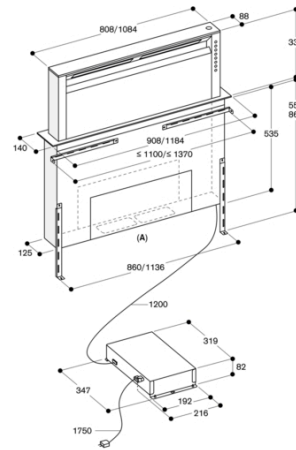
A: Surface mounting
 B: Flush mounting
 C: 750 mm with a worktop at min. height 920 mm
 Measurements in mm



A: Surface mounting
 B: Flush mounting
 Extraction mode with remote fan unit
 1: AR 400 122
 2: AR 413 122
 Measurements in mm

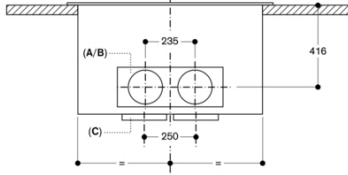
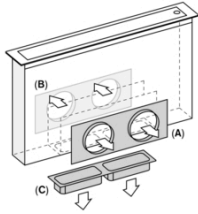


A: Surface mounting
 B: Flush mounting
 Extraction mode with remote fan unit
 1: AR 400 142
 2: AR 401 142
 Measurements in mm



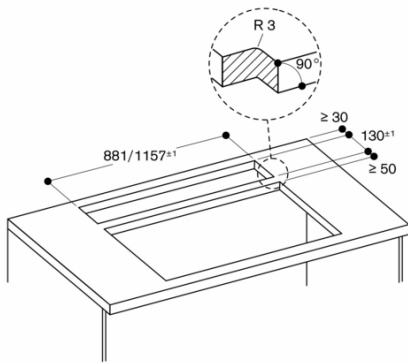
A: Flexible connection of the hood at the front, the back, or at the bottom
 Measurements in mm

AL400192
 Table ventilation 400 series
 stainless steel
 Width 90 cm
 Air extraction / Air recirculation
 Motorless
 2022-08-26
 Page 3

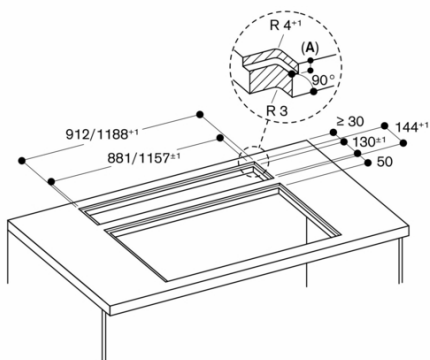


A: Connection at the front with AD 754 049
 B: Connection at the back with AD 754 049
 C: Connection at the bottom with AD 854 050

Measurements in mm



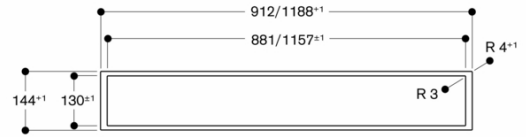
Measurements in mm



A: 3.5^{±0.5} mm

Measurements in mm

View from above



Measurements in mm

AA 409 401/431 furniture support

