



Color Variants

CI292102

Frameless

Width 90 cm

CI292102
Flex induction cooktop 200 series
Frameless
Width 90 cm

Frameless for flush mounting
Flex function for combining the rectangular cooking areas
Free positioning of cookware inside combined cooking areas
Professional cooking function for splitting the cooktop into 3 predefined heat areas
Frying sensor function for temperature control in pans
Large cooking zone for pots up to ø 32 cm
Twist-Pad control with removable magnetic knob
Easy control of all functions with bicoloured display

Cooking zones

2 flex induction cooking areas 20x23 cm (2200 W, with booster 3700 W), linked together 40x23 cm (3300 W, with booster 3700 W).
1 induction cooking zone ø 21 cm (2200 W, with booster 3700 W), automatically switches to ø 26 cm (2600 W, with booster 3700 W) and to ø 32 cm (3300 W, with booster 3700 W).

Handling

Twist-Pad control with removable magnetic knob.
User friendly control with bicoloured display (white / orange).
Cooking zone and cooking area marking.
Electronic power control in 17 output levels.

Features

Flex function for rectangular cooking areas.
Professional cooking function.
Frying sensor function.
Booster function for pots.
Booster function for pans.
Keep warm function.
Stopwatch.
Cooking timer for up to 99 minutes.
Short-term timer.
Options menu.
Power management.
Cooktop-based ventilation control (with suitable hood).
Home network integration for digital services (Home Connect) wireless via WiFi.
The use of the Home Connect functionality depends on the Home Connect services, which are not available in every country. For further information please check: home-connect.com.

Safety

Main switch.
Operation indicator.
Pot detection.
2-stage residual heat indicator.
Child lock.
Safety shut-off.

Planning notes

Operates with magnetic (induction) iron pots and pans only. For an optimal heat distribution, the use of sandwich bottom cookware is recommended.
Installation is possible in worktops made of stone, synthetics or solid wood. Heat resistance and watertight sealing of the cut edges must be observed. Concerning other materials please consult the worktop manufacturer.

Characteristics

Product name/family
Cooking zone ceramic

Construction type
Built-in

Energy input
Electric

Total number of positions that can be used at the same time
5

Type of control setting devices

Required niche size for installation (HxWxD)

Width of the appliance
908

Dimensions (HxWxD)
56 x 908 x 520

Dimensions of the packed product (HxWxD)
126 x 1073 x 608

Net weight
27.3

Gross weight
29.2

Residual heat indicator
separate

Location of control panel
Hob front

Type of external control possibility

Basic surface material
Ceramic

Color of surface
Black

Color of frame

Approval certificates
AENOR, CE

Length electrical supply cord
150

EAN code
4242006293192

Electrical connection rating
11100

Gas connection rating

Fuse protection

Voltage
220-240

Frequency
50-60

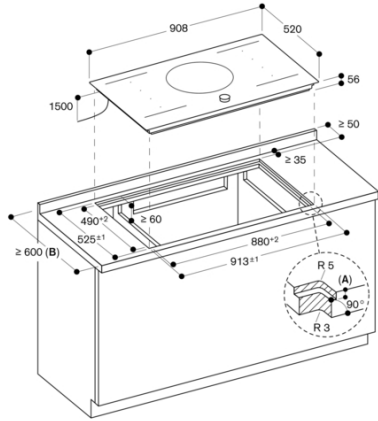
Consumption and connection features

2022-09-08
Page 1

The wok pan WP 400 001 cannot be used with this appliance.
Appliance must be fixed from underneath.
Appliance weight: approx. 27.

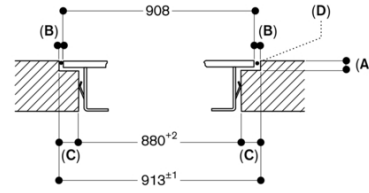
Connection

Total connected load 11.1 KW.
Connecting cable 1.5 m without plug.
Power consumption standby/display off 0.5 W.
Power consumption standby/network 2.0 W.
Please check the user manual for how to switch off the WiFi module.



A: $6.5^{+0.5}$
 B: Please check the installation manual if the worktop depth is less than 600 mm.
 measurements in mm

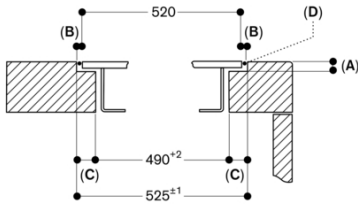
Longitudinal section



A: $6.5^{+0.5}$
 B: 2.5
 C: 16.5
 D: Fill with silicone

measurements in mm

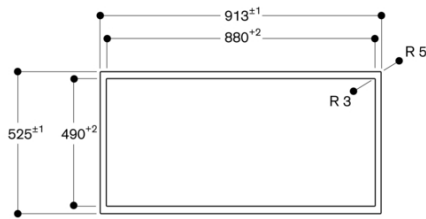
Cross-section



A: $6.5^{+0.5}$
 B: 2.5
 C: 17.5
 D: Fill with silicone

measurements in mm

View from above



measurements in mm