

**Miele**

My Brochure





H 7464 BPX

Handleless oven

seamless design with food probe and LED lighting.



- Large clear text display with sensor controls – DirectSensor
- Minimal cleaning effort – Pyrolytic cleaning equipment & PyroFit
- Especially light dough and nicely browned crusts – Moisture Plus
- Ensures your food won't overcook – TasteControl
- Network-enabled WiFi appliance – Miele@home

Price \$ 6,499.00\*\*

\*\* GST inclusive

Model and design	
Built-in oven	•
ArtLine	•
Handleless	•
Appliance colour	Obsidian black
Convenience features	
TasteControl	•
Rapid heat-up	•
Food probe	With cable
Keeping warm	•
Crisp function	•
Operating modes	
Defrosting	•
Automatic programmes	•
Automatic programmes	•
Auto roast	•
Grill operating modes	•
Grill	•
Fan plus	•
Intensive bake	•
Moisture plus	•
Moisture plus with Fan plus	•
Moisture plus with Conventional heat	•
Moisture plus with Intensive Bake	•
Moisture plus with Auto Roast	•
Conventional heat	•
Bottom heat	•
Fan grill	•

H 7464 BPX

Handleless oven

seamless design with food probe and LED lighting.



<b>User convenience</b>	
Networking with Miele@home	•
Display	DirectSensor
Touch2Open	•
MultiLingua	•
Programmable timed steam injection	•
Timer functions	•
Time of day display	•
Time synchronisation	•
Date display	•
Minute minder	•
Programmable start of cooking duration	•
Programmable end of cooking duration	•
Actual temperature display	•
Target temperature display	•
Audible signal when target temperature is reached	•
Recommended temperature	•
User programmes	•
Individual settings	•
<b>Efficiency and sustainability</b>	
Residual heat utilisation	•
<b>Cleaning convenience</b>	
Pyrolytic self-cleaning	•
Catalyser	•
Hinged grill heater element	•
CleanGlass door	•
<b>Safety</b>	
Appliance cooling system and touch-cool fronts	•
Safety switch-off	•
System lock	•
Door lock during pyrolytic cleaning	•
Sensor lock	•

H 7464 BPX

Handleless oven

seamless design with food probe and LED lighting.



<b>Technical data</b>	
Oven compartment volume in l	76
No. of shelf levels	5
Numbered shelf levels	•
Oven light	1 LED spot
Temperatures in °C	30
Niche width in mm	560
Niche height in mm	590
Niche depth in mm	550
Appliance width in mm	595
Appliance height in mm	596
Appliance depth in mm	568
Weight in kg	47.0
Total rated load in kW	3.6
Voltage in V	220-240
Frequency in Hz	50
Number of phases	1
Fuse rating in A	16
Length of supply lead in m	2
Replacing lamps	Customer Service
<b>Standard accessories</b>	
Baking tray with PerfectClean	1
Universal tray with PerfectClean	1
Baking and roasting rack PyroFit	2
PyroFit FlexiClip runners (pair)	1
Removable PyroFit side runners (pair)	1
Anti-splash insert with PerfectClean	1

H 7464 BPX

Handleless oven

seamless design with food probe and LED lighting.



## Available display languages

deutsch  
dansk  
english  
suomi  
français  
ελληνικά  
italiano

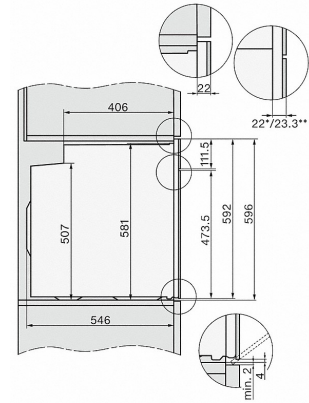
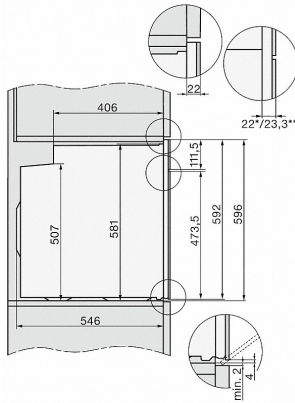
Available display languages via MultiLingua

hrvatski  
bahasa malaysia  
nederlands  
norsk  
polski  
português  
română  
русский  
svenska  
srpski  
slovenčina  
slovenščina  
español  
čeština  
türkçe  
українська  
magyar

H 7464 BPX

Handleless oven

seamless design with food probe and LED lighting.

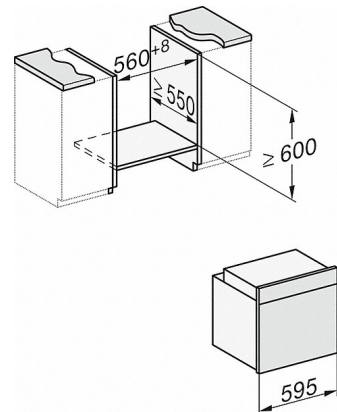
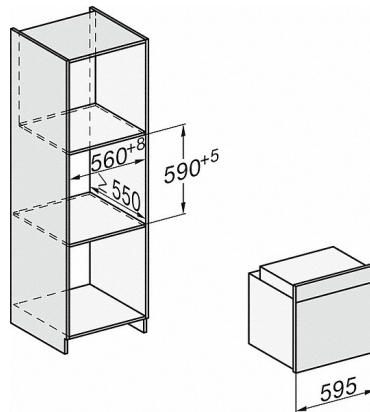


H2760B/BP, H28x0B/BP, H7x6xB/BP/BPX, DGC7351, DGC7151, installation drawings

H2760B/BP, H28x0B/BP, H7x6xB/BP/BPX, installation drawings

22 mm - glass  
23,3 mm - metal

22 mm - glass  
23.3 mm - metal



H226x-1B/BP/E/EP/IP, H2760B/BP, H28x0B/BP, H7x6xB/BP/BPX, installation drawings

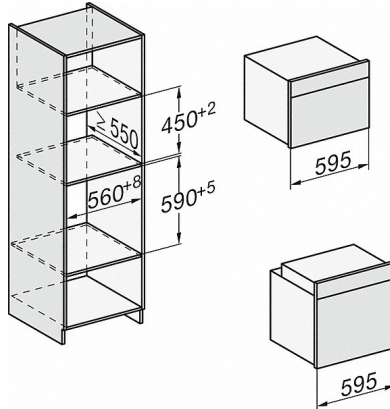
H226x-1B/BP/E/EP/IP, H2x6xB/BP, H7x6xB/BP/BPX, installation drawings

If the oven is to be installed under a hob, follow the instructions for installing the hob and the height of the hob.

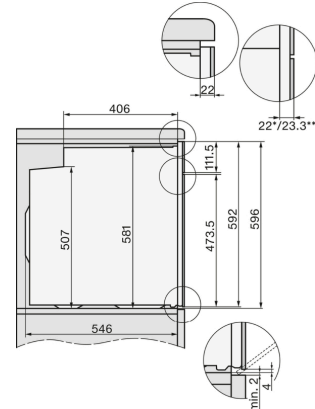
H 7464 BPX

Handleless oven

seamless design with food probe and LED lighting.

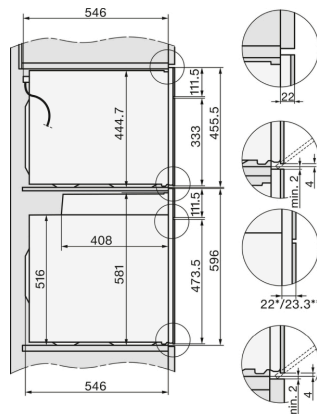


H226x-1B/BP/E/EP/I/IP, H2760B/BP, H28x0B/BP, H7x40BM/BMX, H7x6xB/BP/BPX, installation drawings



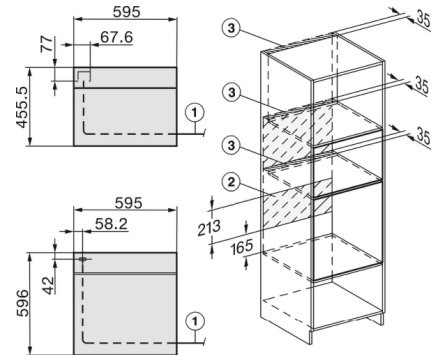
H2760B/BP, H28x0B/BP, H7x6xB/BP/BPX, installation drawings

22 mm - glass  
23.3 mm - metal



H2xxx-1 B/BP/E/I/IP, H7xxx B/BP/BM/BMX, installation drawings

22 mm - glass  
23,3 mm - metal



H2xxx-1 B/BP/E/I/IP, H7xxx B/BP/BM/BMX, installation drawings

22 mm - glass  
23,3 mm - metal

**Miele Australia Pty Ltd**

ACN 005 635 398  
ABN 96 005 635 398

**Miele Australia Pty Ltd**

Head Office  
141 Camberwell Road  
Hawthorn East VIC 3123

Telephone: 1300 4 MIELE (1300 464 353)

[www.miele.com.au](http://www.miele.com.au)

**Miele Experience Centre Doncaster**

Shop 1136/7, Westfield Doncaster  
619 Doncaster Road  
Doncaster VIC 3108

**Miele Experience Centre  
South Melbourne**

206-210 Coventry Street  
South Melbourne VIC 3205

**Miele Experience Centre  
and Office Sydney**

3 Skyline Place  
Frenchs Forest NSW 2086

**Miele Experience Centre Brisbane**

Tenancy 4C, 63 Skyring Terrace  
Newstead QLD 4006

**Miele Experience Centre Gold Coast**

131 Ferry Road  
Southport QLD 4215

**Miele Experience Centre  
and Office Adelaide**

83-85 Sir Donald Bradman Drive  
Hilton SA 5033

**Miele Experience Centre  
and Office Perth**

205-207 Stirling Highway  
Claremont WA 6010

**Miele New Zealand Limited**

IRD 98 463 631

**Miele New Zealand Limited**

Head Office  
8 College Hill  
Freemans Bay, Auckland 1011

Telephone: 0800 4 MIELE (0800 464 353)

[www.miele.co.nz](http://www.miele.co.nz)

**Miele Experience Centre Auckland**

8 College Hill  
Freemans Bay Auckland 1011

**Miele Experience Centre Wellington**

183 Featherston Street  
Wellington 6011

**Miele & Cie. KG**

Carl-Miele-Straße 29  
33332 Gütersloh  
Postfach, 33325 Gütersloh  
Telefon +49 5241 89-0  
Telefax +49 5241 89-2090  
E-Mail: [info@miele.de](mailto:info@miele.de)



[shop.miele.com.au](http://shop.miele.com.au)



[shop.miele.co.nz](http://shop.miele.co.nz)