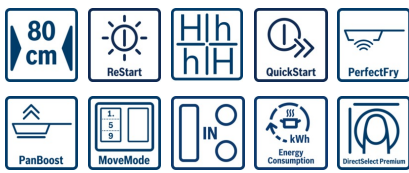
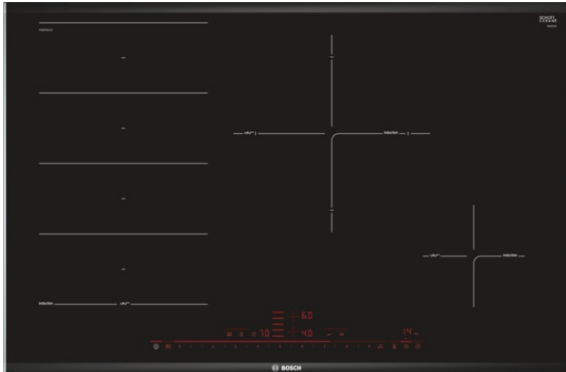


Serie | 8 Hobs
**PXE875DC1E
80 cm Induction Cooktop**

**The induction cooktop with PerfectFry:
achieve perfect frying results thanks to
automatic temperature control.**

- **FlexInduction Zone:** Get more flexibility by combining the cooking zones into one big zone for placing multiple small pots or large cookware.
- **DirectSelect Premium:** Direct, simple selection of the desired cooking zone, power and additional functions.
- **ComfortProfile:** Elegant, appealing design with bevelled front and sleek stainless steel strips on the side.
- **Timer with switch-off function:** Conveniently turns off the assigned cooking zone after the set time.
- **Induction:** Fast, precise cooking, easy cleaning and low energy consumption.
- **PowerBoost:** Up to 50% more power for faster heating.

Technical Data

Product name/family :	Cooking zone ceramic
Construction type :	Built-in
Energy input :	Electric
Total number of positions that can be used at the same time :	4
Type of control setting devices :	Direct Select 2.0
Required niche size for installation (HxWxD) :	51 x 750-780 x 490-500
Width of the product (mm) :	816
Dimensions of the product (mm) :	51 x 816 x 527
Dimensions of the packed product (HxWxD) (mm) :	126 x 603 x 953
Net weight (kg) :	16.0
Gross weight (kg) :	17.0
Residual heat indicator :	Separate
Location of control panel :	Hob front
Basic surface material :	Ceramic
Color of surface :	Black, Stainless steel
Color of frame :	Stainless steel
Approval certificates :	AENOR, CE
Length electrical supply cord (cm) :	110
EAN code :	4242002861746
Electrical connection rating (W) :	7400
Voltage (V) :	220-240
Frequency (Hz) :	60; 50


Optional accessories

HEZ390011 Induction roaster, HEZ390012 Steaming rack for Induction roaster, HEZ390042 set of 3 pots + 1 pan for induction hob, HEZ390220 System pan Ø 19cm, HEZ390511 Teppan Yaki (small), HEZ390512 Teppan Yaki (large), HEZ390522 Griddle Plate

Serie | 8 Hobs

PXE875DC1E

80 cm Induction Cooktop

**The induction cooktop with PerfectFry:
achieve perfect frying results thanks to
automatic temperature control.**

Design & Innovation

- Stainless steel side profiles with beveled front
- 4 induction cooking zones
- Direct Select Premium Touch Control

Size & Power

- 17 power levels for each cooking zone
- Cooking zone left: Flex zone
 - 240 mm x 400 mm
 - 3.3 KW / 3.7 KW with powerBoost
- Cooking zone front right:
 - 145 mm
 - 1.4 KW / 2.2 KW with powerBoost
- Cooking zone rear right:
 - 280 mm
 - 2.6 KW / 3.7 KW with powerBoost

Comfort & Convenience

- Timer with automatic switch off for all zones
- PowerBoost function - reduce the time to heat up large quantities of water
- ShortBoost function - reduce the time to heat up pans
- PerfectFry sensor with 5 automatic frying programs
- Move Mode - 3 Automatic Power Levels
- QuickStart - Quick and automatic first pot detection
- ReStart - Quickly reinstates previous settings
- WipeProtection - Quickly pauses settings to clean as you go
- Keep warm function - low setting for keeping food warm at the touch of a button
- Energy consumption display

Safety and Environment

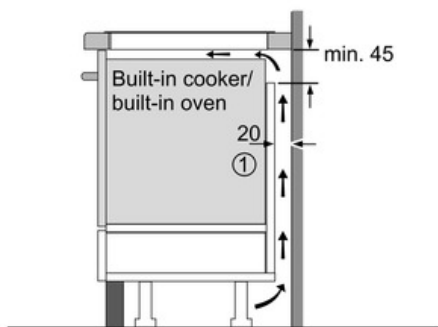
- Digital 2-stage residual heat indicator for each cooking zone
- Childproof lock
- Automatic safety switch-off
- Integrated cooling fan
- 2 year warranty

Technical Information

- 7.4 kW total connected load
- Min. worktop thickness: 30 mm

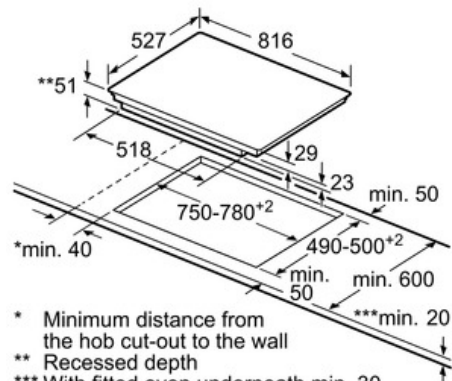
Serie | 8 Hobs

PXE875DC1E
80 cm Induction Cooktop



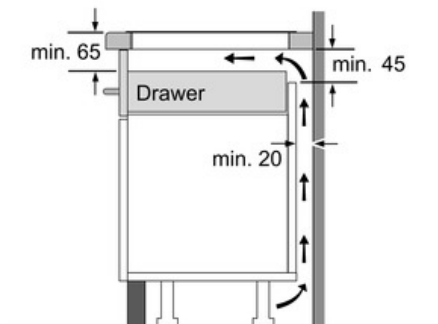
① Ventilation gap must be present

All measurements in mm



* Minimum distance from the hob cut-out to the wall
 ** Recessed depth
 *** With fitted oven underneath min. 30, possibly more; see space requirements for the oven

measurements in mm



Measurements in mm