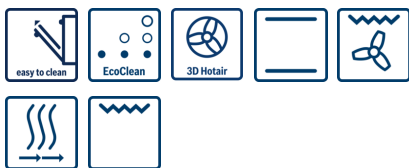


Serie | 2 Ovens
**HBF133BS0A
Built-in Oven**

The built-in oven with 3D hot air: achieve perfect baking and roasting results on up to three levels simultaneously.

- **3D Hotair:** perfect results thanks to optimal distribution of heat on up to 3 levels simultaneously.
- **Pop-out controls:** for an easy to clean front.
- **EcoClean Direct:** almost no cleaning is necessary thanks to a special coating of the rear wall that automatically absorbs grime.
- Easy to clean grey enamel interior

Technical Data

Color / Material Front :	Stainless steel
Built-in / Free-standing :	Built-in
Integrated Cleaning system :	No
Required niche size for installation (HxWxD) :	575-597 x 560-568 x 550
Dimensions of the product (mm) :	595 x 594 x 548
Dimensions of the packed product (HxWxD) (mm) :	635 x 680 x 645
Control Panel Material :	Stainless steel
Door Material :	Glass
Net weight (kg) :	32.0
Usable volume of cavity (l) :	66
Cooking method :	Conventional heat,
Full width variable grill, Heißluft sanft, Hot Air, Hot air grilling	
First cavity material :	Other
Temperature control :	No control of the temperature
Number of interior lights :	1
Approval certificates :	CE, VDE
Length electrical supply cord (cm) :	150
Interior Lights - cavity 1 :	1
Pull-out system :	Accessory
Clock function :	Alarm, Off, On
Included accessories cavity 1 :	
1 x enamel baking tray, 1 x combination grid, 1 x universal pan	
Broil Element Wattages cavity 1 (W) :	2800
Energy efficiency class (2010/30/EC) :	A
Energy consumption per cycle conventional (2010/30/EC) :	0.98
Energy consumption per cycle forced air convection (2010/30/EC) :	0.79
Energy efficiency index (2010/30/EC) :	95.2
Electrical connection rating (W) :	2950
Current (A) :	13
Voltage (V) :	220-240
Frequency (Hz) :	60; 50
Plug type :	no plug
Color / Material Front :	Stainless steel
Energy input :	Electric
Approval certificates :	CE, VDE
Required cutout/niche size for installation (in) :	x x
Dimensions of the packed product (in) :	24.99 x 25.39 x 26.77
Net weight (lbs) :	71
Gross weight (lbs) :	75
Length electrical supply cord (cm) :	150
Net weight (kg) :	32.0
Gross weight (kg) :	34.0

Included accessories

- 1 x enamel baking tray
- 1 x combination grid
- 1 x universal pan



Serie | 2 Ovens

HBF133BS0A

Built-in Oven

The built-in oven with 3D hot air: achieve perfect baking and roasting results on up to three levels simultaneously.

Dimensions

- Appliance dimensions (HxWxD): 595 mm x 594 mm x 548 mm
- Installation dimensions (HxWxD): 575 mm - 597 mm x 560 mm - 568 mm x 550 mm
- Please reference the built-in dimensions provided in the installation drawing

Heating Functions

- Oven with 5 heating methods:
 - 3D Hotair
 - Top/bottom heating
 - Hot air grilling
 - Hotair gentle
 - Grill - large area
- Temperature range 50 °C - 275 °C
- Rapid heating-up

Hook-in racks / rails

- Available as an additional accessory

Design

- Retractable control knobs
- Enamel grey with 5 shelf positions
- Cavity volume: 66 l

Cleaning

- EcoClean Direct : back panel
- Full glass inner door

Convenience

- LED-display control (red)
- Electronic clock/timer with end time programming
- Drop down door
- Halogen lighting
- Cooling fan
- Bar handle

Accessories

- 1 x enamel baking tray, 1 x combination grid, 1 x universal pan

Safety and Environment

- Child lock function

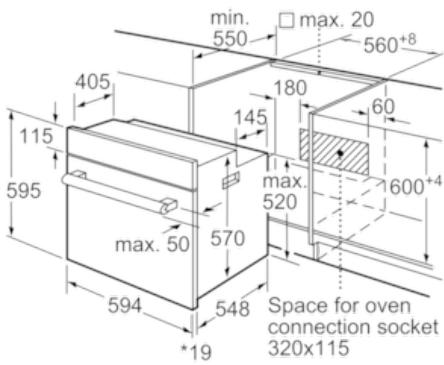
2 year warranty

Technical Info

- Length of mains cable: 150 cm
- Nominal voltage: 220 - 240 V
- Total connected load electric: 2.95 KW

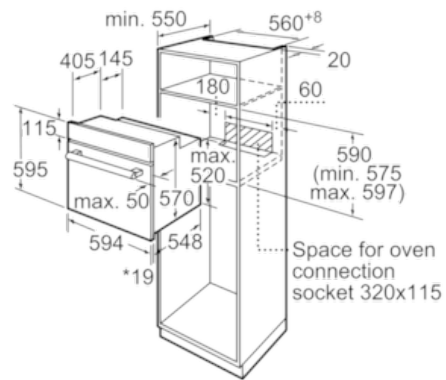
Serie | 2 Ovens

**HBF133BS0A
Built-in Oven**



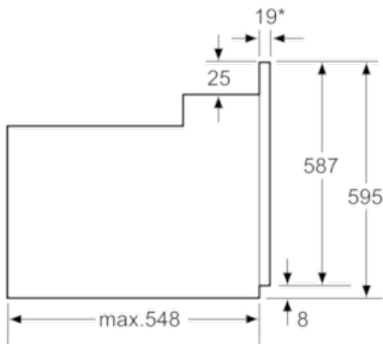
* 20 mm for metal fascias

measurements in mm



* 20 mm for metal fascias

measurements in mm



* 20 mm for metal fascias

Dimensions in mm