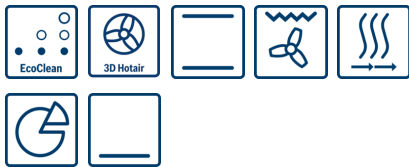


**Serie | 4 Ovens**
**HBA534ES0A  
Built-in Oven**

**The built-in oven with 3D hot air: achieve perfect baking and roasting results on up to three levels simultaneously.**

- **3D Hotair:** perfect results thanks to optimal distribution of heat on up to 3 levels simultaneously.
- **Pop-out controls:** for an easy to clean front.
- **EcoClean Direct:** almost no cleaning is necessary thanks to a special coating of the rear wall that automatically absorbs grime.
- Easy to clean grey enamel interior
- **1-level telescopic rail:** for safe, easy insertion and removal of baking trays.

**Technical Data**

Color / Material Front :	Stainless steel
Built-in / Free-standing :	Built-in
Integrated Cleaning system :	No
Required niche size for installation (HxWxD) :	585-595 x 560-568 x 550
Dimensions of the product (mm) :	595 x 594 x 548
Dimensions of the packed product (HxWxD) (mm) :	675 x 690 x 660
Control Panel Material :	Stainless steel
Door Material :	Glass
Net weight (kg) :	42.0
Usable volume of cavity (l) :	71
Cooking method :	Bottom heat, Conventional heat, Full width grill, Heißluft sanft, Hot Air, Hot air grilling, Pizza setting
First cavity material :	Other
Temperature control :	No control of the temperature
Number of interior lights :	1
Approval certificates :	CE, VDE
Length electrical supply cord (cm) :	120
Interior Lights - cavity 1 :	1
Pull-out system :	1-level
Clock function :	Alarm, Off, On
Included accessories cavity 1 :	
2 x combination grid, 1 x universal pan	
Broil Element Wattages cavity 1 (W) :	2700
Convection Element Wattages cavity 1 (W) :	2200
Energy efficiency class (2010/30/EC) :	A
Energy consumption per cycle conventional (2010/30/EC) :	0.97
Energy consumption per cycle forced air convection (2010/30/EC) :	0.81
Energy efficiency index (2010/30/EC) :	95.3
Electrical connection rating (W) :	3400
Current (A) :	16
Voltage (V) :	220-240
Frequency (Hz) :	50; 60
Plug type :	no plug
Color / Material Front :	Stainless steel
Energy input :	Electric
Approval certificates :	CE, VDE
Required cutout/niche size for installation (in) :	x x
Dimensions of the packed product (in) :	26.57 x 25.98 x 27.16
Net weight (lbs) :	92
Gross weight (lbs) :	97
Length electrical supply cord (cm) :	120
Net weight (kg) :	42.0
Gross weight (kg) :	44.0

**Included accessories**

- 2 x combination grid
- 1 x universal pan



## Serie | 4 Ovens

### HBA534ES0A

#### Built-in Oven

**The built-in oven with 3D hot air: achieve perfect baking and roasting results on up to three levels simultaneously.**

#### Dimensions

- Appliance dimensions (HxWxD): 595 mm x 594 mm x 548 mm
- Installation dimensions (HxWxD): 585 mm - 595 mm x 560 mm - 568 mm x 550 mm
- Please reference the built-in dimensions provided in the installation drawing

#### Heating Functions

- Oven with 7 heating methods: 3D Hotair, Top/bottom heating, Hot air grilling, Full width grill, Pizza setting, Bottom heating, Hotair gentle
- Temperature range 50 °C - 275 °C
- Rapid heating-up

#### Hook-in racks / rails

- 1 level telescopic rail

#### Design

- Retractable control knobs
- Extra large capacity oven with grey enamel
- Enamel grey with 5 shelf positions
- Cavity volume: 71 net usable litres

#### Cleaning

- EcoClean Direct : back panel
- Full glass inner door

#### Convenience

- LED-display control (red)
- Electronic clock/timer with end time programming
- Drop down door
- Halogen lighting
- Cooling fan
- Bar handle

#### Accessories

- 2 x combination grid, 1 x universal pan

#### Safety and Environment

- Maximum door temperature 40° C
- Child lock function

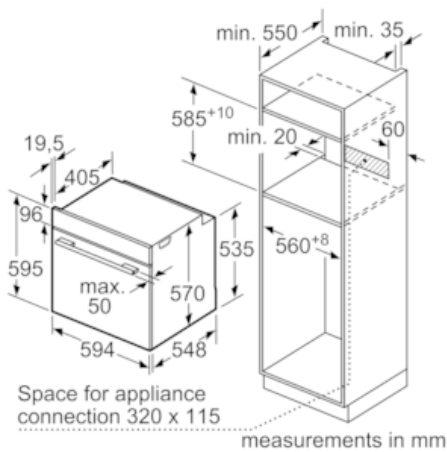
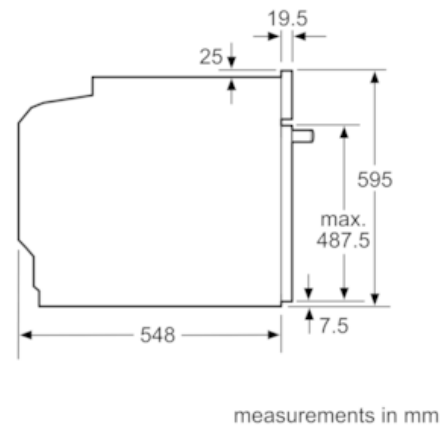
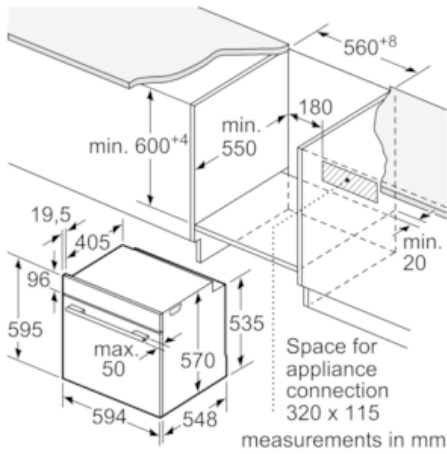
#### 2 year warranty

#### Technical Info

- Length of mains cable: 120 cm
- Nominal voltage: 220 - 240 V
- Total connected load electric: 3.4 KW

## Serie | 4 Ovens

### HBA534ES0A Built-in Oven



Installation with a hob.

