

Serie | 2 Ventilation
**DWP96BC50A
90 cm Wall-Mounted Stainless
Steel Canopy Rangehood**
A

**Canopy hood: perfect performance
matching your kitchen.**

- **Push buttons:** simply modify the desired power level settings with mechanic control.
- **Extraction rate:** at 600 m³/h, it quickly ensures optimal kitchen air quality.
- **Silent:** maximum extractor performance with little noise

Technical Data

Color chimney :	Stainless steel
Typology :	Chimney
Approval certificates :	Australia Standards, VDE
Length electrical supply cord (cm) :	130
Height of the chimney (mm) :	553-730/573-730
Height of product, without chimney (mm) :	246
Net weight (kg) :	13.0
Type of control :	mechanical
Number of speed settings :	3
Maximum output air extraction (m ³ /h) :	600
Maximum output recirculating air (m ³ /h) :	400
Number of lights :	2
Noise level (dB) :	69
Diameter of air outlet (mm) :	120 / 150
Grease filter material :	Washable aluminium
Odour filter :	No
Operating Mode :	Convertible
Optional accessories :	
DHZ1224, DHZ1234, DHZ5275, DHZ5276, DHZ9550, DHZ9551	
Type of lamps used :	LED
Grease filter type :	Kassette
Connection Rating (W) :	220
Current (A) :	10
Voltage (V) :	220-240
Frequency (Hz) :	60; 50
Plug type :	AU plug
Installation typology :	Wall-mounted
Material body :	Stainless steel
Approval certificates :	Australia Standards, VDE
Plug type :	AU plug
Dimensions of the product, with chimney (if exists) (in) :	/ x x
Dimensions of the packed product (in) :	13.38 x 25.98 x 40.15
Net weight (lbs) :	28
Gross weight (lbs) :	32
Motor location :	Integrated motor in hood body
No-return airflow flap :	Yes
Length electrical supply cord (cm) :	130
Dimensions of the product, with chimney (if exists) (mm) :	799-975 x 900 x 500
Dimensions of the packed product (HxWxD) (mm) :	340 x 660 x 1020
Net weight (kg) :	13.0
Gross weight (kg) :	14.0


Optional accessories

DHZ1224 Chimney extension 500 mm, DHZ1234 Chimney extension 750 mm, DHZ5275 Recirculating kit, DHZ5276 Active carbon filter, DHZ9550 Brushed steel back panel, DHZ9551 Brushed steel back panel

Serie | 2 Ventilation

DWP96BC50A

90 cm Wall-Mounted Stainless Steel Canopy Rangehood

Canopy hood: perfect performance matching your kitchen.

Design & Innovation

- Pyramid design
- Appliance colour: Stainless steel

Power and Mode of Operation

- 3 power settings via Push button
- Extraction rate exhaust air according to EN 61591: max. 600 m³/h
- Extraction rate in recirculation mode:
Max. normal use: 400 m³/h
- Ducted and recirculated-air operation
- For recirculated extraction optional recirculation kit (accessory) needed
- Push button controls for power and light
- Twin channel high performance fan motor
- Noise min./max. Normal Level: 51/69 dB
Noise max. Intensive setting: NO_FEATURE dB
- Energy Efficiency Class: A (at a range of energy efficiency classes from A++ to E)
- Average Energy Consumption: 37.8 kWh/year
- Power rating: 220 W

Comfort & Convenience

- Noise level according to EN 60704-3 und EN 60704-2-13 at max. normal use exhaust air: 69 dB(A) re 1 pW (57 dB(A) re 20 µPa sound pressure)
- Noise level in recirculation mode:
Max. normal use: 75 dB(A) re 1 pW (63 dB(A) re 20 µPa sound pressure)
- Dishwasher safe metal grease filters
- 2 x 1.5W LED
- with one-way flap: prevents outside air from entering your kitchen

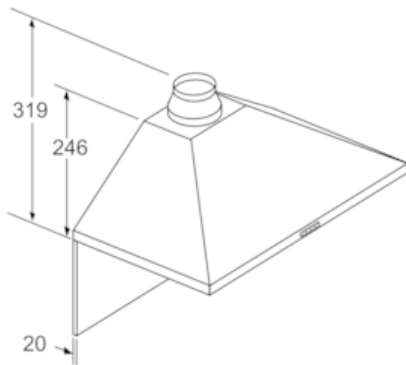
Dimensions (HxWxD)

- Appliance width: 900 mm
- Dimensions exhaust air (HxWxD): 799-975 x 900 x 500 mm
- Dimensions recirculating (HxWxD): 799-975 x 900 x 500 mm
- Diameter pipe Ø 150 mm (Ø 120 mm enclosed)
- Electrical cable length 1.3 m

Serie | 2 Ventilation

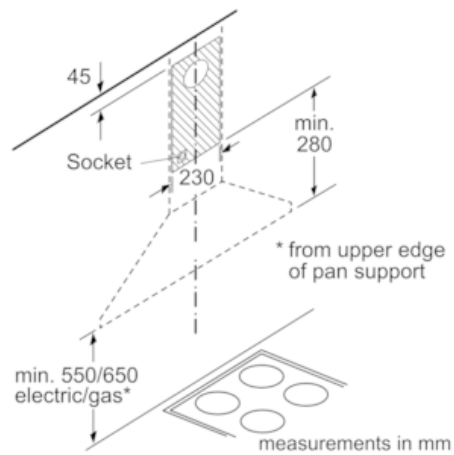
DWP96BC50A

90 cm Wall-Mounted Stainless Steel Canopy Rangehood

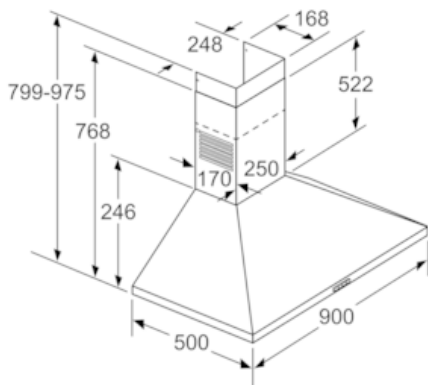


If a back panel is used, the design of the appliance must be considered.

measurements in mm



measurements in mm



measurements in mm