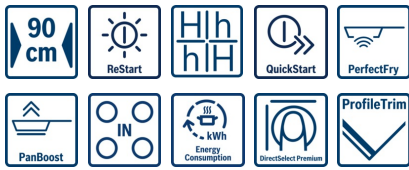
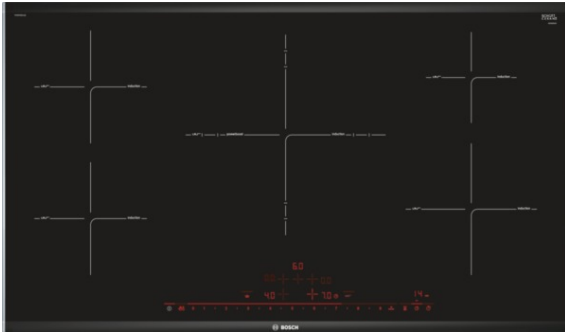


Serie | 8 Hobs
**PIV975DC1E
90 cm Induction Cooktop**

**The induction cooktop with PerfectFry:
achieve perfect frying results thanks to
automatic temperature control.**

- **Triple ring:** Expandable cooking zone for very large pots and pans.
- **DirectSelect Premium:** Direct, simple selection of the desired cooking zone, power and additional functions.
- **ComfortProfile:** Elegant, appealing design with bevelled front and sleek stainless steel strips on the side.
- **Timer with switch-off function:** Conveniently turns off the assigned cooking zone after the set time.
- **Induction:** Fast, precise cooking, easy cleaning and low energy consumption.
- **PowerBoost:** Up to 50% more power for faster heating.

Technical Data

Product name/family :	Cooking zone ceramic
Construction type :	Built-in
Energy input :	Electric
Total number of positions that can be used at the same time :	5
Type of control setting devices :	Direct Select 2.0
Required niche size for installation (HxWxD) :	51 x 880-880 x 490-500
Width of the product (mm) :	916
Dimensions of the product (mm) :	51 x 916 x 527
Dimensions of the packed product (HxWxD) (mm) :	126 x 603 x 1073
Net weight (kg) :	22.0
Gross weight (kg) :	23.0
Residual heat indicator :	Separate
Location of control panel :	Hob front
Basic surface material :	Ceramic
Color of surface :	Black, Stainless steel
Color of frame :	Stainless steel
Approval certificates :	AENOR, CE
Length electrical supply cord (cm) :	110
EAN code :	4242002838854
Electrical connection rating (W) :	11100
Voltage (V) :	220-240
Frequency (Hz) :	50; 60


Optional accessories

- HEZ390090 : Wok for radiant and induction hobs
- HEZ390220 : System pan Ø 19cm
- HEZ390230 : System pan diameter 21cm

Serie | 8 Hobs

PIV975DC1E

90 cm Induction Cooktop

The induction cooktop with PerfectFry: achieve perfect frying results thanks to automatic temperature control.

Dimensions (WxD)

- Appliance dimensions: (W x D) 916 mm x 527 mm
- Installation dimensions: (H x W x D) 51 mm x 880 mm x 490 mm

Technical Information

- 11.1 kW total connected load
- Min. worktop thickness: 30 mm

Design & Innovation

- Stainless steel side profiles with beveled front
- 5 Induction cooking zones
- Direct Select Premium Touch Control

Size & Power

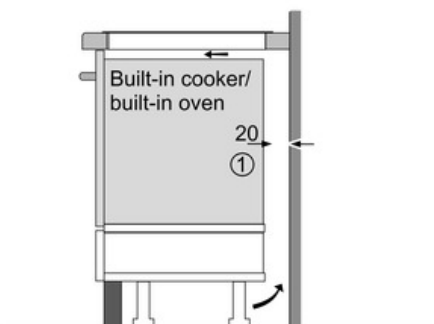
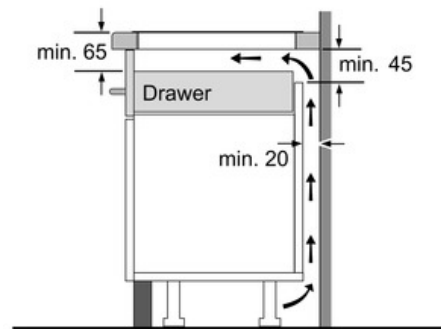
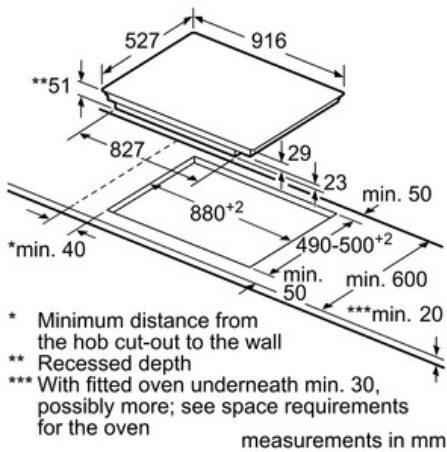
- 17 power levels for each cooking zone
- Cooking zone front left:
 - 180 mm
 - 1.8 KW / 3.1 KW with Power boost
- Cooking zone rear left:
 - 180 mm
 - 1.8 kW / 3.1 KW with powerBoost
- Cooking zone rear centre:
 - 210 mm, 260 mm, 320 mm
 - 3.3 KW, 2.6 KW, 2.2 KW / 3.7 KW, 5.5 KW, 4.4 KW with Power boost
- Cooking zone front right:
 - 210 mm
 - 2.2 KW / 3.7 KW with powerBoost
- Cooking zone rear right:
 - 145 mm
 - 1.4 KW / 2.2 KW with powerBoost

Comfort & Convenience

- Timer with automatic switch off for all zones
- PowerBoost function - reduce the time to heat up large quantities of water
- ShortBoost function - reduce the time to heat up pans
- PerfectFry sensor with 5 automatic frying programs
- QuickStart - Quick and automatic first pot detection
- ReStart - Quickly reinstates previous settings
- WipeProtection - Quickly pauses settings to clean as you go
- Keep warm function - low setting for keeping food warm at the touch of a button
- Energy consumption display

Safety and Environment

- Digital 2-stage residual heat indicator for each cooking zone
- Childproof lock
- Automatic safety switch-off
- Integrated cooling fan
- 2 year warranty

Serie | 8 Hobs
PIV975DC1E
90 cm Induction Cooktop


① Ventilation gap must be present.

Measurements in mm