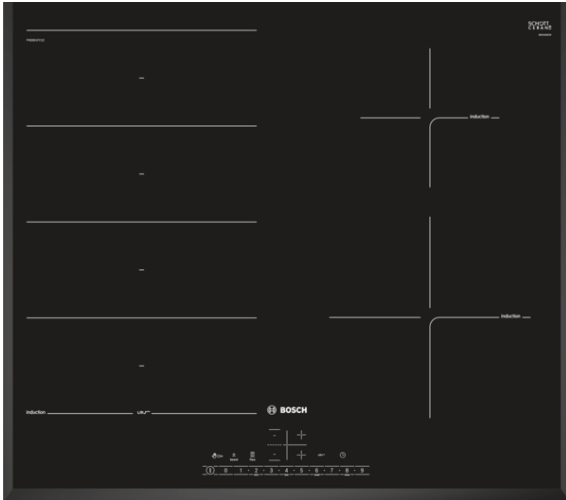


Serie | 6 Hobs
PXE651FC1E
60 cm Induction Cooktop

The induction cooktop with PerfectFry: achieve perfect frying results thanks to automatic temperature control.

- **DirectSelect:** Direct, simple selection of the desired cooking zone, power and additional functions.
- **PerfectFry:** For perfect browning of roasted foods thanks to sensor control with 4 power levels.
- **FlexInduction Zone:** Get more flexibility by combining the cooking zones into one big zone for placing multiple small pots or large cookware.
- Elegant, appealing frameless design with bevelled front and sides.
- **Timer with switch-off function:** Conveniently turns off the assigned cooking zone after the set time.
- **Induction:** Fast, precise cooking, easy cleaning and low energy consumption.
- **PowerBoost:** Up to 50% more power for faster heating.

Technical Data

Product name/family :	Cooking zone ceramic
Construction type :	Built-in
Energy input :	Electric
Total number of positions that can be used at the same time :	4
Required niche size for installation (HxWxD) :	51 x 560-560 x 490-500
Width of the product (mm) :	592
Dimensions of the product (mm) :	51 x 592 x 522
Dimensions of the packed product (HxWxD) (mm) :	126 x 603 x 753
Net weight (kg) :	14.0
Gross weight (kg) :	15.0
Residual heat indicator :	Separate
Location of control panel :	Hob front
Basic surface material :	Ceramic
Color of surface :	Black
Approval certificates :	AENOR, CE
Length electrical supply cord (cm) :	110
Sealed Burners :	No
heating with booster :	All
Power of 2nd heating element (kW) :	3.3
Power of 5th heating element (kW) :	1.4
Power of heating element (kW in boost) :	[3.7]
Power of 2nd heating element (kW in boost) :	3.7
Power of 5th heating element (kW in boost) :	[2.2]
Electrical connection rating (W) :	7400
Current (A) :	32; 2*16
Voltage (V) :	220-240
Frequency (Hz) :	60; 50
Main colour of product :	Black
Energy input :	Electric
Approval certificates :	AENOR, CE
Plug type :	no plug
Required cutout/niche size for installation (in) :	x x
Appliance Dimensions (h x w x d) (in) :	+ x x
Dimensions of the packed product (in) :	4.96 x 23.74 x 29.64
Net weight (lbs) :	31
Gross weight (lbs) :	34
Total number of positions that can be used at the same time :	4
Length electrical supply cord (cm) :	110
Required niche size for installation (HxWxD) :	51 x 560-560 x 490-500
Dimensions of the product (mm) :	51 x 592 x 522
Dimensions of the packed product (HxWxD) (mm) :	126 x 603 x 753
Net weight (kg) :	14.0
Gross weight (kg) :	15.0

Serie | 6 Hobs

PXE651FC1E

60 cm Induction Cooktop

**The induction cooktop with PerfectFry:
achieve perfect frying results thanks to
automatic temperature control.**

Design

- Frameless with bevelled front & side edges
- 4 induction cooking zones
- Direct Select 1.0 Touch Control

Size & Power

- 17 power levels for each cooking zone
- Cooking zone left: Flex zone
 - 240 mm x 400 mm
 - 3.3 KW / 3.7 KW with powerBoost
- Cooking zones: 1 x Ø 400 mmx240 mm, 3.3 KW (max. Power level 3.7 KW) Induction or 2 x Ø 190 mm, 2.2 KW (max. Power level 3.7 KW) Induction; 1 x Ø 145 mm, 1.4 KW (max. Power level 2.2 KW) Induction; 1 x Ø 210 mm, 2.2 KW (max. Power level 3.7 KW) Induction

Comfort & Convenience

- Timer with automatic switch off for all zones
- PowerBoost function - reduce the time to heat up large quantities of water
- PerfectFry sensor with 4 temperature settings
- QuickStart - Quick and automatic first pot detection
- ReStart - Quickly reinstates previous settings
- Energy consumption display

Safety and Environment

- Digital 2-stage residual heat indicator for each cooking zone
- Automatic pan recognition sensor
 - PowerManagement Function
 - Automatic safety switch-off
 - Childproof lock
 - WipeProtection
- Integrated cooling fan
- 2 year warranty

Dimensions (WxD)

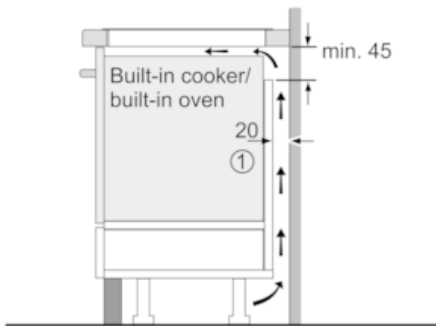
- Appliance dimensions: (W x D) 592 mm x 522 mm
- Installation dimensions: (H x W x D) 51 mm x 560 mm x 490 mm

Technical Information

- 7.4 kW total connected load
- Min. worktop thickness: 30 mm

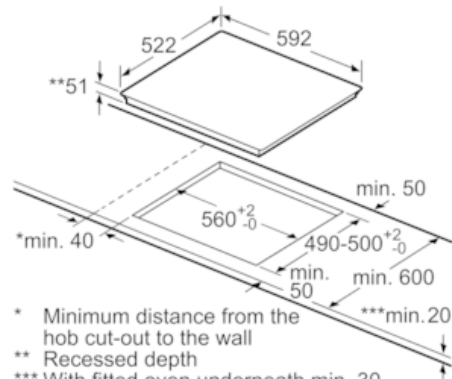
Serie | 6 Hobs

PXE651FC1E
60 cm Induction Cooktop



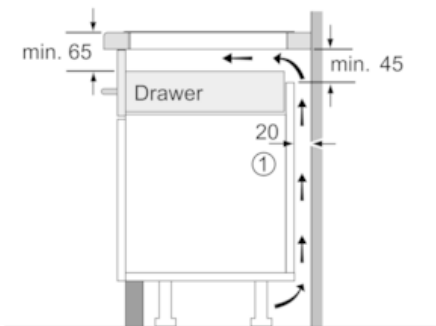
①
 Ventilation gap must
 be present

All measurements in mm



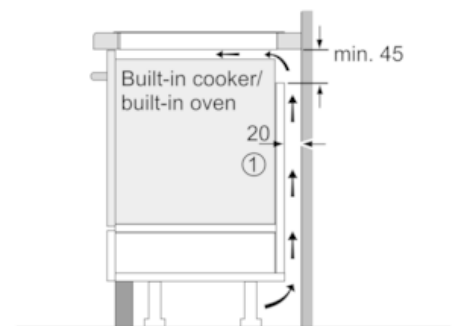
* Minimum distance from the
 hob cut-out to the wall
 ** Recessed depth
 *** With fitted oven underneath min. 30,
 possibly more; see space requirements
 for the oven

measurements in mm



①
 Ventilation gap must
 be present.

Measurements in mm



①
 Ventilation gap must
 be present

All measurements in mm