

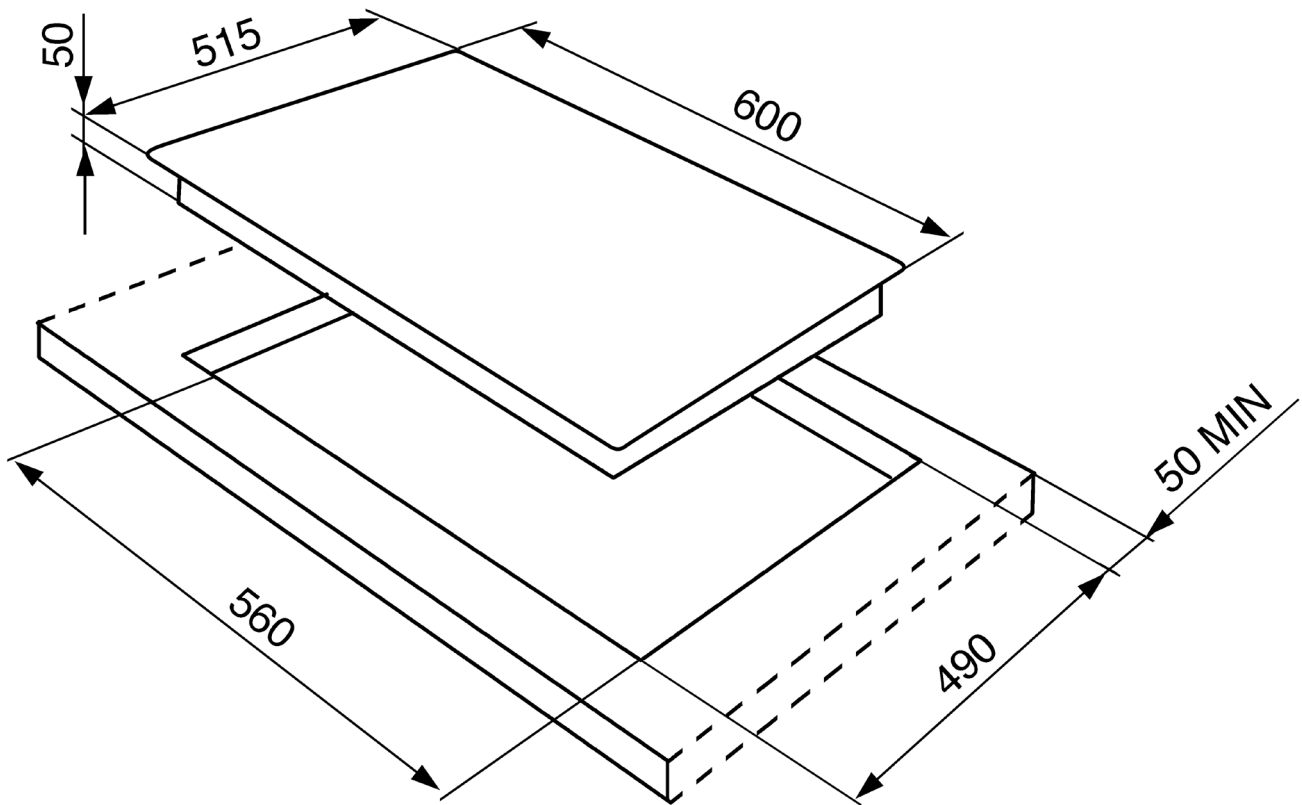
**SI364B**  
60CM INDUCTION COOKTOP



EAN 8017709252861

Finish	Black ceramic surface with bevelled edge
Installation	Built-in hob, topmount
Size	596mmW x 60mmH x 510mmD
Capacity	4 zones Front left – 2300W   boost 3000W Ø23cm Rear left – 1300W   boost 1400W Ø16cm Front right – 1300W   boost 1400W Ø16cm Rear right – 2300W   boost 3000W Ø23cm
Power levels	9 heat settings per zone + 1 boost settings per zone
Timers	3 timers, simultaneous or separate operation independent egg timer
Controls	Classic control knobs
Safety	automatic cut-off residual heat indicators child safety lock (control lock)
Power	220–240V, 50/60Hz 7,400W 33A Must be hard wired
Warranty	Two years parts and labour

**SI364B**  
60CM INDUCTION COOKTOP



PLEASE NOTE: drawings are not to scale. They are to assist only.  
WARNING: technical specifications and product sizes can be varied by the manufacturer without notice.  
Cutouts for appliances should only be by physical product measurements. The above information is indicative only.