

**Serie | 4, heat pump tumble dryer, 8 kg  
WTH8300AU**



**Optional accessories**

WMZ20600 : Wool in basket - accessory  
WTZ11400 : Stacking kit with pull-out shelf  
WTZ20410 : Stacking kit

**Easy to use heat pump dryer for efficient drying with easy to clean filter**

- ActiveAir Technology reuses existing heat efficiently during the entire drying process.
- **AutoDry:** automatically dries to the exact degree of dryness you'd like.
- **SensitiveDrying System:** for gentle drying without wrinkles.
- **Anti-crease:** laundry is automatically loosened once program finished and does not crease.
- **Time remaining:** Shows up on the display ensuring visibility into remaining time of your drying program.

**Technical Data**

Built-in / Free-standing : Freestanding  
Removable top : No  
Door hinge : Right  
Length electrical supply cord : 145.0 cm  
Height of removable worktop : 0 mm  
Dimensions of the product : 842 x 598 x 613 mm  
Net weight : 46.4 kg  
Fluorinated greenhouse gases : No  
Type of refrigerant : R290  
Hermetically sealed equipment : Yes  
Quantity of fluorinated gases : 0.100 kg  
The quantity expressed in CO2 equivalent : 0.000 t  
EAN code : 4242005311286  
Connection Rating : 600 W  
Fuse protection : 10 A  
Voltage : 220-240 V  
Frequency : 50 Hz  
Approval certificates : CE, VDE  
Capacity cotton - NEW (2010/30/EC) : 8.0 kg  
Energy efficiency rating : A+



## Serie | 4, heat pump tumble dryer, 8 kg WTH8300AU

### Easy to use heat pump dryer for efficient drying with easy to clean filter

#### Safety

- Child safety control lock

#### Technical Information

- Dimensions (H x W x D): 84.2 cm x 59.8 cm x 61.3 cm (65.1 cm including door handle)
- Operating noise level: 65 dB(A)

#### Capacity

- Capacity: 8 kg

#### Consumption rates

- 7 Star energy rating  
159 kWh energy consumption per year, based on the Cottons program with drying option Cupboard Dry Plus and Drying Level 1, used once per week

#### Programs

- Special drying programs:
  - Cottons: hard-wearing items made from cotton or linen with four desired dryless level options: Cupboard Extra Dry / Cupboard Dry / Iron Dry / Eco - Easy Care: items made from synthetic or blended fabrics with three desired dryless level options: Cupboard Extra Dry / Cupboard Dry / Iron Dry- Shirts/Blouses: designed to allow immediate ironing or hanging up shirts/blouses after the program completes
  - Delicates: items made from satin, synthetic or blended fabrics
  - Towels: hard wearing towels and dressing gowns made of cotton
  - Mixed: items made from cotton or blended fabrics
  - Super 40': short program for synthetic fabrics and light cottons
  - Sportswear: sports and leisure items made from synthetic fibres, microfibre or fleece
  - Timed Program Cold: manually set a custom time for loosening up or airing clothing that has hardly been worn
  - Timed Program Warm: manually set a custom time for drying slightly damp or multi layered thick items
- Touch control option settings:
  - Three dryless level options: Cupboard Dry / Cupboard Dry Plus / Iron Dry- Easy Iron: the drum moves the laundry at regular intervals after drying to prevent creasing
  - Finished in (delayed start): you can delay the start of the program by up to 24 hours

#### Performance

- ActiveAir heat pump technology, existing heat is reused efficiently during the entire drying process
- Easy clean filter for easy maintenance
- Sensitive drying system: textile friendly drum design and SoftFlow paddles ensure soft, fluffy laundry and helps to reduce creasing

#### Design

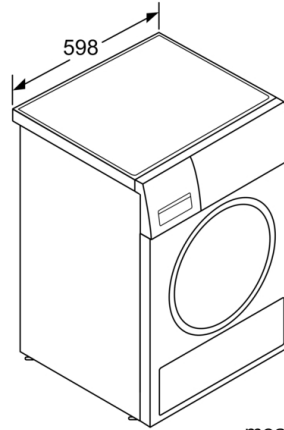
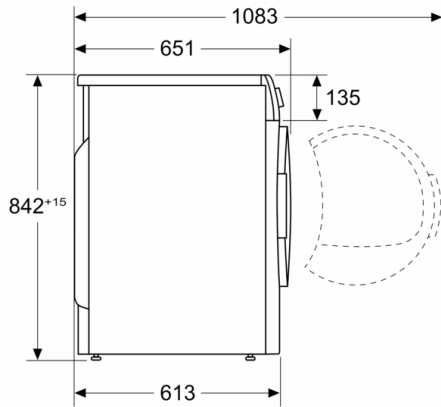
- AntiVibration design: for greater stability and quietness
- Large LED display for easy use
- Large water condensation container: If there is no drain hose connected to the appliance the condensation water from the drying cycle will be stored in the condensation container

#### Convenience

- Time delay to select end of time of your wash (1-24 hours) and time remaining indicator

**Serie | 4, heat pump tumble dryer, 8 kg  
WTH8300AU**

Measurements in mm



measurements in mm