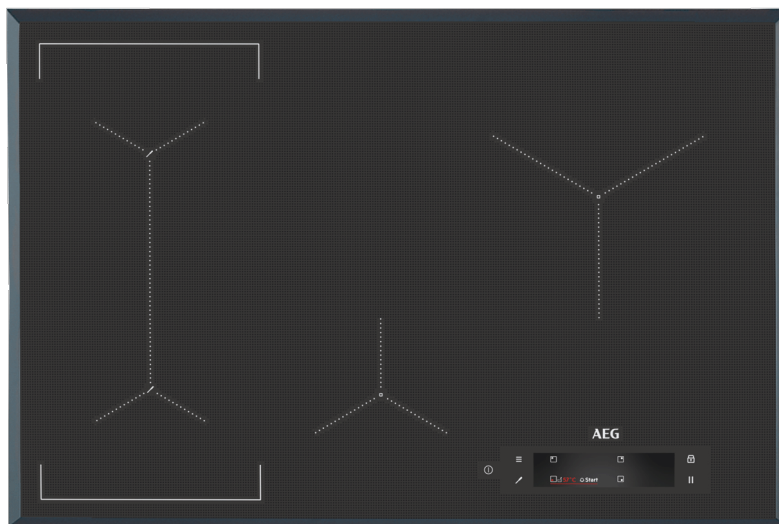


**80cm SensePro induction cooktop with wireless Food Sensor, SenseFry, colour TFT touchscreen, and Hob2Hood.**

RRP AUS \$5,499.00



## Product Details

### FEATURES

---

SousVide in just 4 steps  
Prepare, seal, cook and serve dishes with the ultimate control and perfect results every time.

SenseFry Assisted Cooking

Hob2Hood

Bridging technology

---

TFT Colour Display

OptiHeat™ control  
The OptiHeat™ control helps you make the most efficient use of residual heat. It advises 3 levels of residual heat whether the heat zone is still hot enough to cook with, hot enough to keep food warm, or simply hot to touch.

Pause Function

Minute Minder

---

Ok timer

Function control lock

---

### BENEFITS

---

#### MASTER FOOD. TO THE EXACT DEGREE

Master cooking precision with the SensePro Wireless Food Sensor. The wireless probe identifies temperatures to the exact degree and communicates heat adjustments to the cooktop. It can even measure and maintain precise water temperatures. This also means it's now possible to cook using the Sous Vide technique on the cooktop for professional restaurant-style results at home.

#### RESULTS. WITHOUT THE GUESSWORK WITH SENSEFRY

Use the intelligent touchscreen on the SenseFry induction cooktop to select the food and desired result. The technology maintains an even heat to deliver perfectly fried food. No need to adjust the temperature during cooking. And no more guessing when the pan is at the right temperature.

---

## COOK WITHOUT DISTRACTIONS

The handy Hob2Hood feature automatically controls the hood's fan and lights. This saves you getting distracted trying to regulate the fan when you're focused on frying, sautéing, simmering or steaming your dishes on the cooktop. If you'd rather adjust the fan speed yourself, there are manual controls, too. Because this cooktop is flexible like that.

---

## COMBINE ZONES TO COOK MORE

The Bridging Zone cooktop helps you handle cooking large amounts and different pan sizes. Just touch the Bridge button to link and control two cooking zones together to fit any large or long pans. Sharing the same temperature and time setting, the linked zones are ideal when you're cooking for a crowd, whether large family meals, dinner parties or celebrations.

---

## ONE TOUCHSCREEN. TOTAL CONTROL OVER COOKING

The single, full colour touchscreen gives you complete control over the entire cooktop. Monitor live feedback for each zone and tailor the settings to your recipe repertoire. It's an intuitive way to finesse the way you cook with just a touch.

---

## Specifications

### PRODUCT PROFILE

Domestic warranty details (yrs)	5
Cooktop type	induction
Materials/Colour	grey ceramic glass
Trim finish	bevelled sides only

### DIMENSIONS

Total product width (mm)	780
Total product depth (mm)	520
Cut out width (mm)	750
Cut out depth (mm)	490
Cut out height (mm)	44

### CONTROLS

Controls of Cooktops	TFT Touchscreen
Position of controls	front
Functions of Cooktops	automatic switch off,acoustic signal,booster,Hob2Hood,timer,pause,Bridging,Fry Sensor
Indicators/display	fault indicator,3 level residual heat indicator
Features of Cooktop	minute minder,function lock,sound off,Hob2Hood Connectivity,automatic pan sensing,Wireless food sensor

### ELEMENTS/BURNERS

#### LEFT FRONT ZONE

Left front zone	Bridge
Left front Watts	2300
Left front boost watts	3200
Left front diameter mm	210

## CONTROLS

---

Timer of Cooktop    Oko timer, Minute minder

---

## LEFT REAR ZONE

---

Left rear zone                      Bridge

---

Left rear watts                      2300

---

Left rear diameter mm              210

---

## CENTRE FRONT ZONE

---

Centre front zone                      induction

---

Centre front Watts                      1400

---

Centre front diameter mm              145

---

## RIGHT REAR ZONE

---

Right rear zone                      induction

---

Right rear watts                      2300

---

Right rear diameter mm              240

---

## ELECTRICAL SPECIFICATIONS

---

Connected load KW                      7.4

---

Type of connection                      hardwired

---

## SHIPPING

---

Shipping Volume (m3)                      0.062

---

Shipping Weight (Kg)                      13.9

---

Pack Dimensions Height  
(mm)                      118

---

## SHIPPING

---

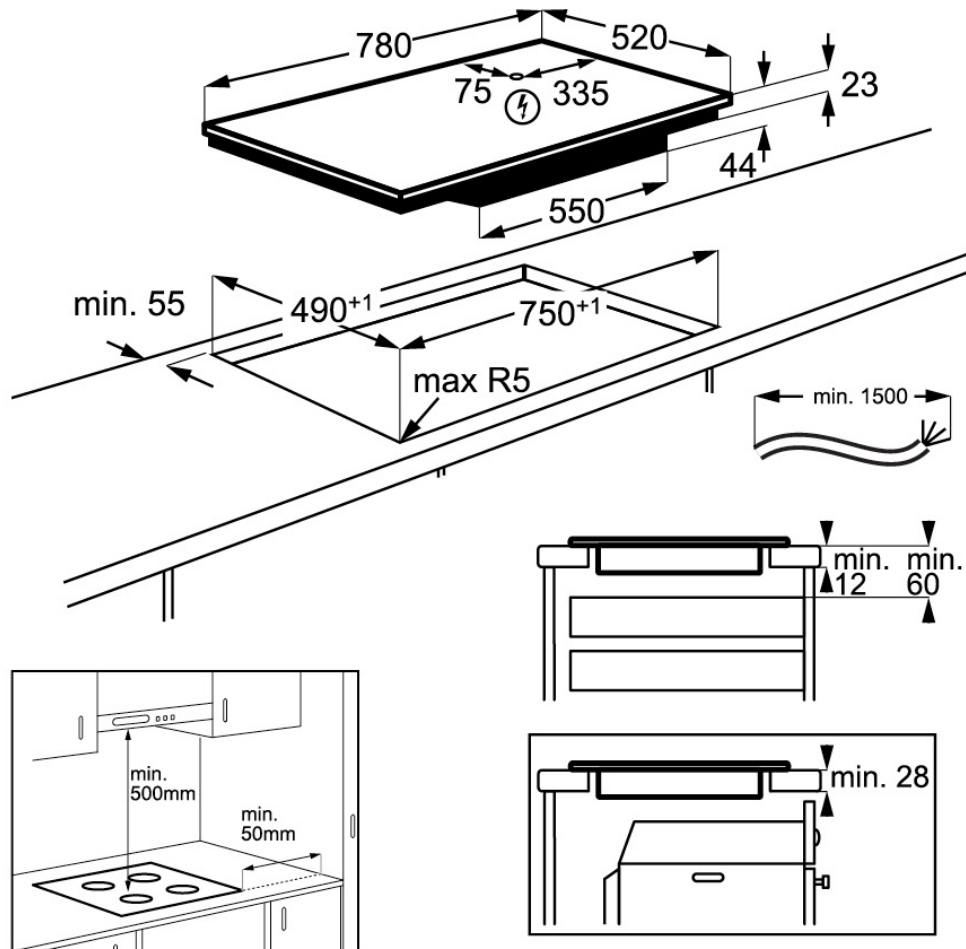
Pack Dimension Width (mm)	868
------------------------------	-----

---

Pack Dimension Depth (mm)	600
------------------------------	-----

---

## Dimensions



### IMPORTANT

These dimensions are a guide only. All measurements are in millimetres (mm).  
For complete installation instructions, refer to the manual provided with product.

## Terms and Conditions

### IMPORTANT

This is a guide of product dimensions only. For complete installation instructions, refer to the manual provided with product.

### PRODUCT INFORMATION

The descriptors and illustrations in this publication apply to the specific products and models described as at the date of issue. Under our policy of continuous product development, product specifications may change without notice. Prospective purchasers should therefore check with their retailer to ensure this publication correctly describes the products that are being offered for sale. All information supplied is to be used for general reference purposes only and is on the understanding that Electrolux Home Products Pty Ltd (Australia) and Electrolux (NZ) Ltd (New Zealand) will not be liable for any loss, liability or damage of whatever kind arising as a result of reliance on such information. Colours of products illustrated are as close as printing limitations allow. Electrolux will at all times comply with its obligations pursuant to law including Trade Practices (Australian Consumer Law) Act and Regulations.

### WARRANTY

Electrolux Home Products warrants that for domestic applications the AEG appliances featured are free from defects in materials and workmanship for 5 years (3 months warranty for commercial applications). All warranties are subject to the conditions set out in the warranty card accompanying the product when purchased.

#### ELECTROLUX HOME PRODUCTS AUSTRALIA

telephone: 1300 363 664

fax: 1800 350 067

email: [customercare@aegaustralia.com.au](mailto:customercare@aegaustralia.com.au)

web: [www.aeg.com/au](http://www.aeg.com/au)

#### ELECTROLUX HOME PRODUCTS NEW ZEALAND

telephone: 0800 10 66 10

fax: 09 573 2221

email: [customercare@electrolux.co.nz](mailto:customercare@electrolux.co.nz)

web: [www.aeg.com/au](http://www.aeg.com/au)