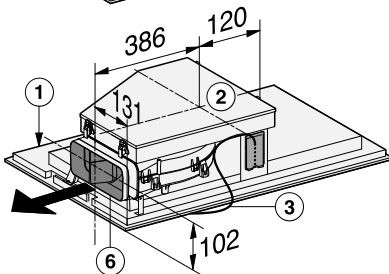
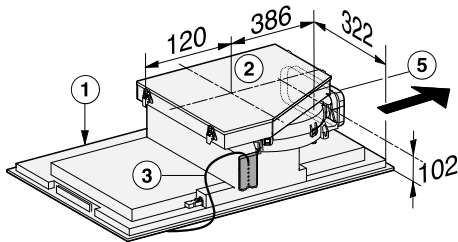
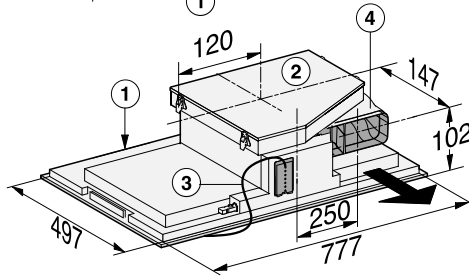
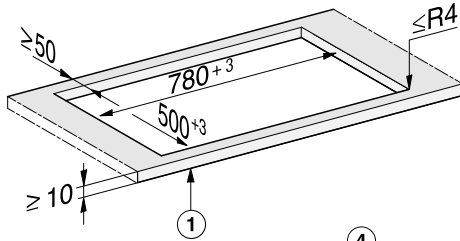
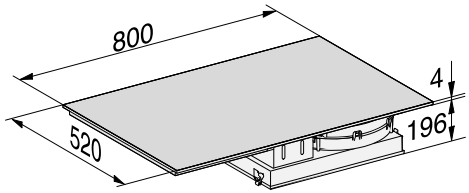
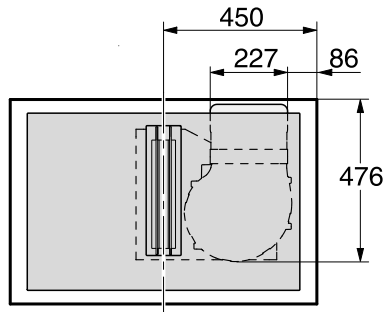


KMDA 7633 FL, KMDA 7634 FL

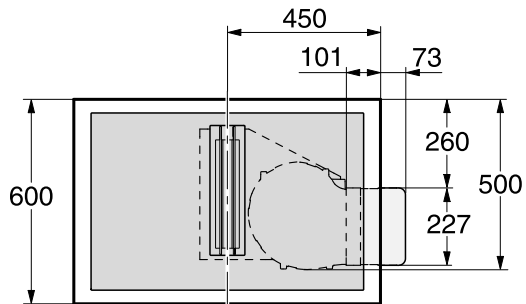


- ① Front
- ② Removable drip tray
- ③ Mains connection box with mains connection cable, L = 1440 mm
- ④ Air duct connection – at the back (ex-works)
- ⑤ Air duct connection - on the right (conversion required)
- ⑥ Air duct connection - on the left (conversion required)

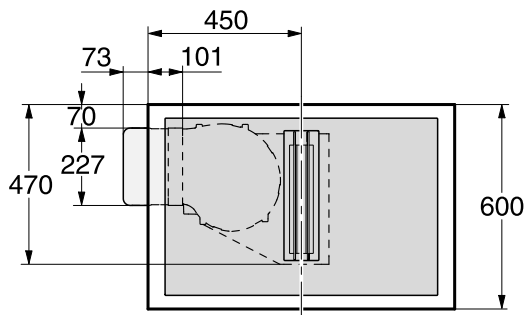
Extraction to the rear (standard)



Extraction to the right



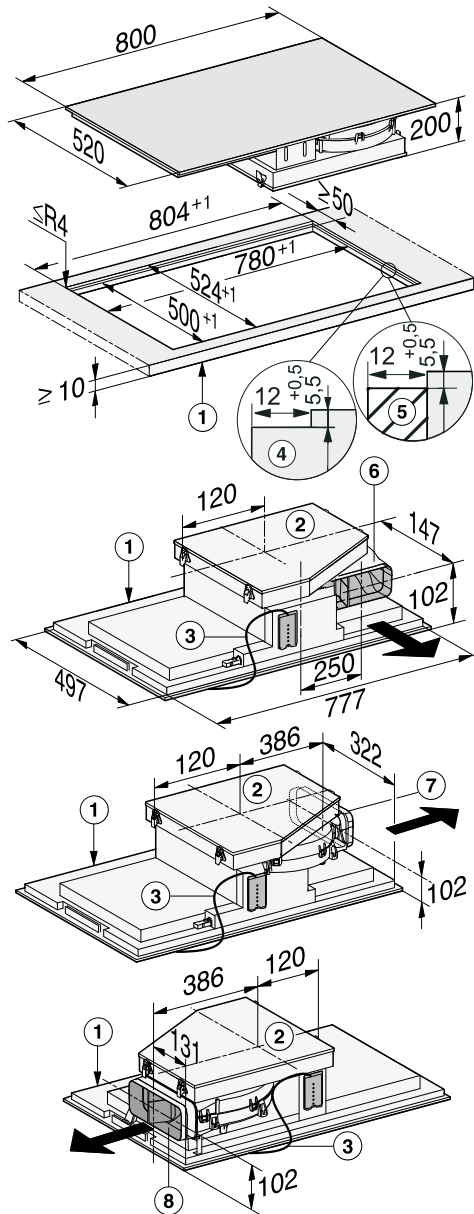
Extraction to the left



Installation

Installation dimensions – Flush

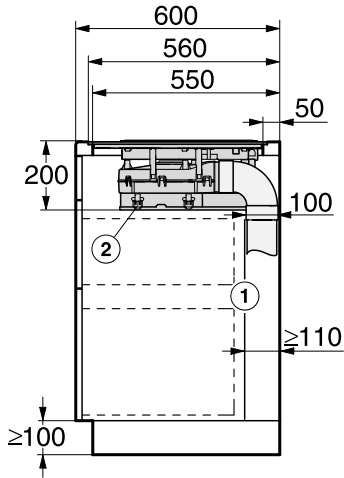
KMDA 7633 FL, KMDA 7634 FL



- ① Front
- ② Removable drip tray
- ③ Mains connection box with mains connection cable, L = 1440 mm
- ④ Stepped cut-out
- ⑤ Wooden frame (to be provided on site)
- ⑥ Air duct connection – at the back (ex-works)
- ⑦ Air duct connection - on the right (conversion required)
- ⑧ Air duct connection - on the left (conversion required)

Worktop depth 600 mm

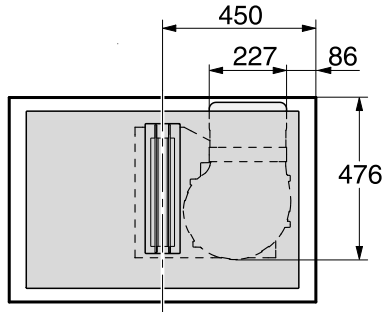
KMDA 7633 FL, KMDA 7634 FL



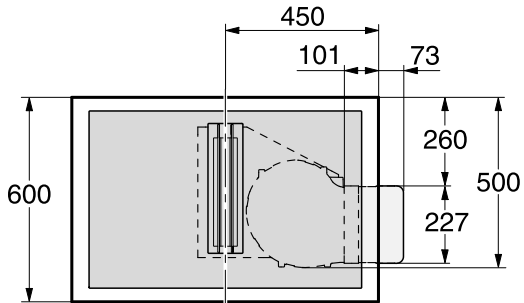
- ① Housing unit back panel
The housing unit back panel must be removable for service work. The housing unit wall and an adjoining room wall or furniture housing must be at least 110 mm apart to ensure sufficient room for the ducting.
- ② Drip tray
After installation the removable drip tray must be accessible from below.

Installation

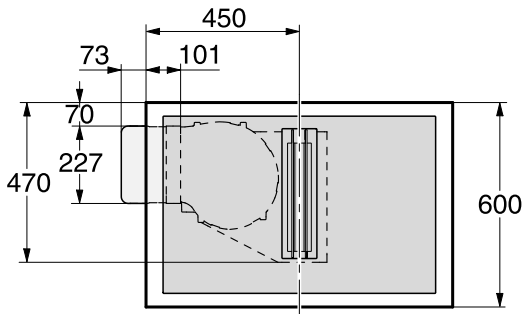
Extraction to the rear (standard)



Extraction to the right

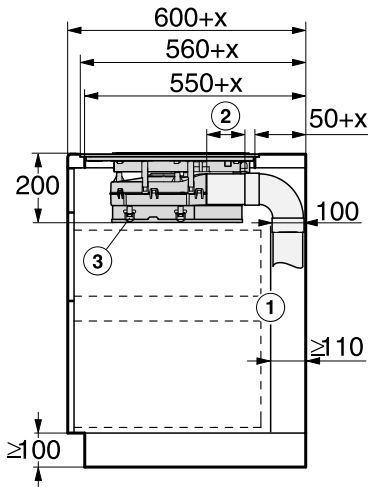


Extraction to the left



Worktop depth greater than 600 mm

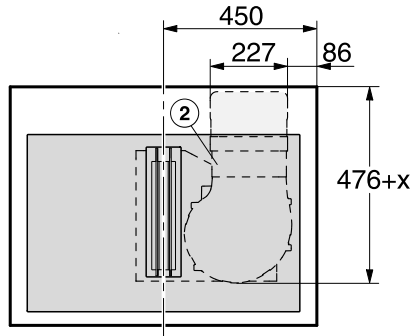
KMDA 7633 FL, KMDA 7634 FL



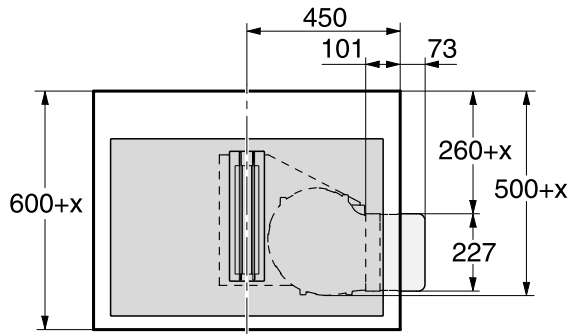
- ① Housing unit back panel
The housing unit back panel must be removable for service work. The housing unit wall and an adjoining room wall or furniture housing must be at least 110 mm apart to ensure sufficient room for the ducting.
 - ② Variable length of interim piece
 - ③ Drip tray
After installation the removable drip tray must be accessible from below.
- x = Dimension by which the worktop is deeper than 600 mm.

Installation

Extraction to the rear (standard)



Extraction to the right



Extraction to the left

