

## Serie | 8 Steam-Oven

### Compact steam oven CSG656RS1A - Black, Stainless Steel



### The compact steam oven with PerfectBake and PerfectRoast: you get perfect results, automatically and gently.

- **TFT touchscreen control:** easy-to-use thanks to the control ring with full text and colour images.
- **Bosch Assist:** automatic setting of the optimal type of heat, temperature and time for countless dishes.
- **PerfectBake Sensor and PerfectRoast meat probe:** the easy way to perfect baking and roasting results.
- **Steam baking:** by adding steam, foods turn out crispy on the outside and juicy on the inside.
- **EcoClean Direct:** almost no cleaning is necessary thanks to a special coating that automatically absorbs grime.

#### Technical Data

Color / Material Front :	Stainless steel
Built-in / Free-standing :	Built-in
Door opening :	Drop down
Required niche size for installation (HxWxD) :	450 x 560 x 550
Dimensions of the product (mm) :	455 x 595 x 548
Dimensions of the packed product (HxWxD) (mm) :	520 x 650 x 710
Control Panel Material :	Stainless steel
Door Material :	Glass
Net weight (kg) :	36.0
Approval certificates :	CE, VDE
Length electrical supply cord (cm) :	120
Current (A) :	16
Voltage (V) :	220-240
Frequency (Hz) :	60; 50
Plug type :	no plug
Approval certificates :	CE, VDE
Number of cavities (2010/30/EC) :	1
:	47
Energy efficiency class (2010/30/EC) :	A+
Energy consumption per cycle conventional (2010/30/EC) :	0.73
Energy consumption per cycle forced air convection (2010/30/EC) :	0.61
Energy efficiency index (2010/30/EC) :	81.3

#### Included accessories

2 x grid, 1 x Steam container, punched, size XL, 1 x Steam container, punched, size S, 1 x Steam container, unpunched, size S, 1 x universal pan



#### Optional accessories

HEZ324000 Inlaid wire shelf for multipurpose pan, HEZ327000 Pizza stone, HEZ36D353P porcelain tray-GN2/3- unpunched, HEZ617000 Pizza pan, HEZ625071 Grill tray, enamelled, HEZ631070 Enamelled baking tray, HEZ632070 Multipurpose pan, enamelled, HEZ633070 Professional pan, enamelled, HEZ636000 Glass pan, HEZ660060 Strip, HEZ864000 Glass tray, HEZ915001 Glass roasting dish, 5,1 L

## Serie | 8 Steam-Oven

### Compact steam oven CSG656RS1A - Black, Stainless Steel

### The compact steam oven with PerfectBake and PerfectRoast: you get perfect results, automatically and gently.

#### Heating Functions

- Compact steam oven with 14 heating methods:
  - 4D HotAir
  - 4D HotAir Eco
  - Top/bottom heating
  - Top/bottom heating Eco
  - Bottom heating
  - Intensive heat
  - Hot air grilling
  - Full width grill
  - Half width grill
  - Pizza setting
  - Slow cooking
  - Keep warm
  - Preheat ovenware
  - Drying
- Additional heating methods with steam: Pure steaming, Reheating, Dough Proving, Defrost
- Rapid heating-up
- Temperature range 30 °C - 250 °C

#### Sensor and Automatic Functions

- Bosch Assist
- PerfectBake baking sensor
- PerfectRoast multipoint meat probe

#### Design

- Full Color TFT Touch Graphic Display
- Bosch Control Ring
- SoftMove oven door with soft open and soft close
- LED lighting
- Cavity volume: 47 net usable litres
- Anthracite enamel cavity with 3 shelf positions

#### Convenience

- Automatic temperature proposal
  - Actual temperature display
  - Residual heat indicator
  - Sabbath mode
- 1 level telescopic shelf, fully extendable, safety stop function
- Electronic clock/timer with end time programming
- Info button
- Large 1 litre water tank
- Water tank empty indicator

#### Cleaning

- EcoClean Direct automatic prompt for cleaning function
- EcoClean Direct : ceiling, side liners, back panel
- Additional functions:

- Descaling programme
- Drying function
- Full glass inner door

#### Safety and Environment

- Triple glazed door
- Child lock function
- Residual heat indicator
- Automatic safety switch off function
- Cooling fan

#### Accessories

- 2 x grid, 1 x Steam container, punched, size XL, 1 x Steam container, punched, size S, 1 x Steam container, unpunched, size S, 1 x universal pan

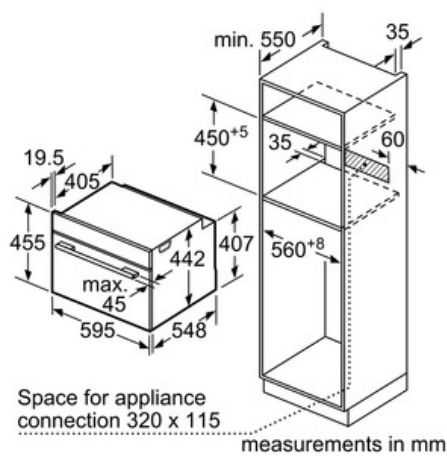
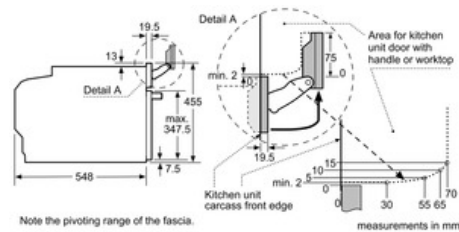
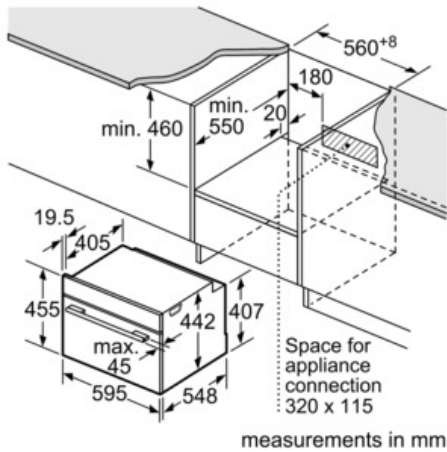
#### Technical Info

- Appliance dimensions (HxWxD): 455 mm x 595 mm x 548 mm
- Installation dimensions (HxWxD): 450 mm - 455 mm x 560 mm - 568 mm x 550 mm
- Total connected load electric: 3.3 KW
- Length of mains cable: 120 cm

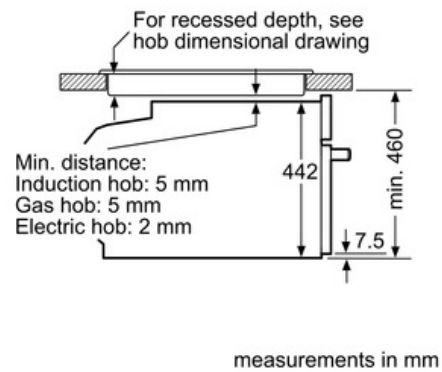
## Serie | 8 Steam-Oven

### Compact steam oven

### CSG656RS1A - Black, Stainless Steel



#### Installation with a hob.



If the compact appliance will be installed underneath a hob, the following worktop thicknesses (including substructure if necessary) must be taken into account.

Hob type	min. worktop thickness	
	fitted	flush
Induction hob	42 mm	43 mm
Full surface induction hob	48 mm	53 mm
Gas hob	37 mm	47 mm
Electric hob	28 mm	30 mm