

**6kg capacity top load washing machine with easy to use controls, 3 fast wash programs and durable soft close glass lid.**

RRP AUS \$899.00



## Product Details

### FEATURES

---

Wash options you really need    Fast wash program    Delay end option to plan when your wash finishes    Gentle drum

---

### BENEFITS

---

**One wash wonder**  
Our PreMix deals with detergent residue, making sure powders are properly dissolved and activated before the wash.

**Call time on waiting**  
Let our handy time remaining display count down to the program finish, so you know when your wash will be done. If only bedtime was that easy.

---

**Softly does it**  
Honey, you won't shrink the kids or any of your other favourite items with our gentle wash action a handwash equivalent for your delicates at the press of a button.

**Ease your load**  
You won't need a background in IT to operate our easy use, easy clean, inclusive control panels. Because technology is supposed to make your life easier.

---

**Help in a hurry**  
Whether it's a fast 20 minute wash because your favourite top needs a freshen up, a 45 minute mid-week daily wash or a Fullload 60 program after a muddy weekend of sport, our Fast Wash Programs mean you can get on with your day without delay.

**Save water, choose Westinghouse**  
Our auto water level sensor conserves precious H<sub>2</sub>O, automatically choosing the ideal water level for each wash. If only it could perfectly pour your Friday night wine, too.

---

**Forgiving on fingers**  
Our soft closing child-safe lid means little fingers won't get a nasty surprise. Plus, our washing machines feature a child safe lid lock for added peace of mind.

**Fold on the go**  
Traditional whitegoods get an upgrade with our premium safety glass lid. Not only is it stylish and durable, it offers an extra laundry workspace thanks to the scratch resistant flat top.

---

**Back to black**  
Our simple access easy clean lint filter means your leggings will stay black and not just become a grey fuzz magnet.

**Better results with a new gentler drum**  
Designed to treat your clothes with the care they deserve, the gentle drum has thousands of holes to enhance the water flow rate so that detergent dissolves faster. This improves effectiveness and ensures a deeper clean.

---

# Specifications

## PRODUCT PROFILE

Domestic warranty details (yrs)	2
Capacity (Kg)	6.0
Toploader Wash system	PreMix

## ENERGY

Energy Star Rating	2.5
Energy consumption cold water (kWhr/yr)	125
Energy Consumption Warm (KWhr/yr)	378
Water efficiency star rating	3.5
Water consumption (litres)	73

## DIMENSIONS

Total height (mm)	975
Total width (mm)	575
Total depth (mm)	640
Height with lid open (mm)	1290

## WASH PROGRAMS

Number of Programs	12
Toploader Wash programs	Delicate,Rinse & Spin,Bedding,Daily 45,Fast 20,Full Load 60,Dirty 90,Extra Dirty 120,Spin,Machine Clean,Eco Save,Gym Wear
Wash options	Rinse,Delay End,Child Lock,Start/Pause,Water Level,Temperature,Spin Option
weight (kg)	6
Dispenser	bleach dispenser,Softener dispenser,Powder or liquid detergent dispenser
On screen stain guide	No

## CONTROLS

---

Type of controls	electronic rotary,electronic
------------------	------------------------------

---

Control panel colour	grey
----------------------	------

---

Functions available	Child Lock,PreMix,Temperature
---------------------	-------------------------------

---

Type of display	LCD
-----------------	-----

---

Dirt level selection	No
----------------------	----

---

## BOWL

---

Spin tub material	stainless steel
-------------------	-----------------

---

## CABINET

---

Cabinet Colour	white
----------------	-------

---

Cabinet Type	curved front
--------------	--------------

---

Cabinet material	painted galvanized steel
------------------	--------------------------

---

## BUTTON FUNCTION

---

Button Functions	water temp,water level,Child lock,start/pause,rinse option,spin speed
------------------	---

---

## LID

---

Lid Removal	no
-------------	----

---

Lid Type	glass insert,Soft closing lid
----------	-------------------------------

---

Lid Colour	Black
------------	-------

---

## TECHNICAL

---

Water pressure requirements min	50
---------------------------------	----

---

Water pressure requirements max	800
---------------------------------	-----

---

Water supply	hot and cold
--------------	--------------

---

Inlet hose length	1300
-------------------	------

---

## TECHNICAL

Inlet hose extension avail as spare part	Yes
Drain hose length	1500
Service cord length	1800
Toploader Wash system	Agitator wash action
Rinsing system	deep rinse,eco rinse,extra rinse,Fast rinse
Maximum spin speed	800
Variable spin speed	Yes
Number of spin speeds	3
Levelling legs, adjustable	2
Toploader Lint removal	filter in agitator
Buzzer	end of cycle,out of balance
Clothes level indicator on agitator	No

## SHIPPING

Shipping Volume (m3)	.396
----------------------	------

## STUFFING QUANTITIES

40ft HC	132
---------	-----

## SHIPPING

---

Shipping Weight (Kg)	39
----------------------	----

---

Pack Dimensions Height (mm)	1001
-----------------------------	------

---

Pack Dimension Width (mm)	600
---------------------------	-----

---

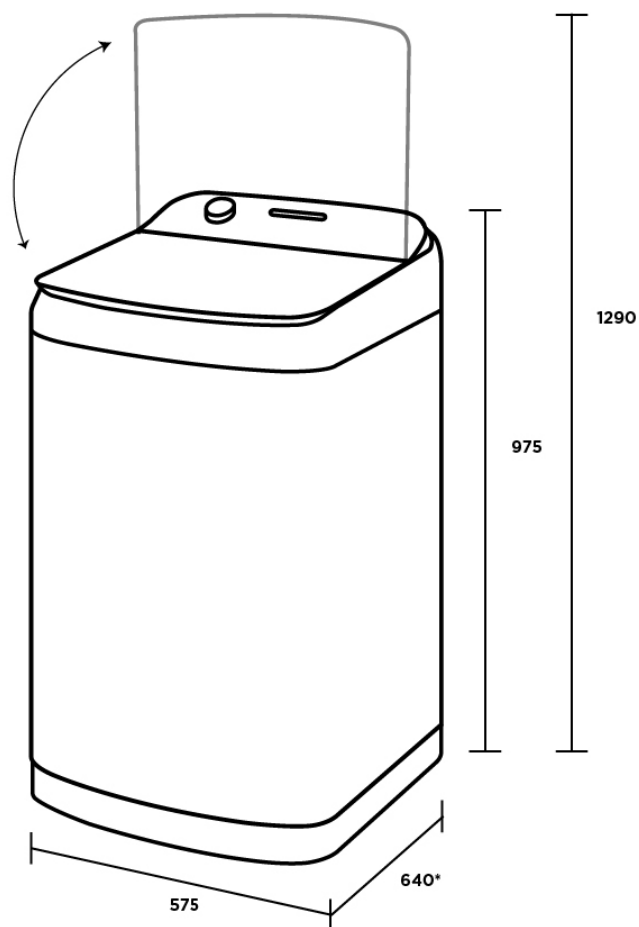
Pack Dimension Depth (mm)	660
---------------------------	-----

---

## Dimensions

### Top Load Washers

WWT6084J5WA  
WWT7084J5WA



\*Add 25mm for the hose protrusion at the back

#### IMPORTANT

These dimensions are a guide only. All measurements are in millimetres (mm).  
For complete installation instructions, refer to the manual provided with product.

# Terms and Conditions

## IMPORTANT

This is a guide of product dimensions only. For complete installation instructions, refer to the manual provided with product.

## PRODUCT INFORMATION

The descriptors and illustrations in this publication apply to the specific products and models described as at the date of issue. Under our policy of continuous product development, product specifications may change without notice. Prospective purchasers should therefore check with their retailer to ensure this publication correctly describes the products that are being offered for sale. All information supplied is to be used for general reference purposes only and is on the understanding that Electrolux Home Products Pty Ltd (Australia) and Electrolux (NZ) Ltd (New Zealand) will not be liable for any loss, liability or damage of whatever kind arising as a result of reliance on such information. Colours of products illustrated are as close as printing limitations allow. Electrolux will at all times comply with its obligations pursuant to law including Trade Practices (Australian Consumer Law) Act and Regulations.

## WARRANTY

This warranty only applies to Appliances purchased and used in Australia or New Zealand and used in normal domestic applications and is in addition to (and does not exclude, restrict, or modify in any way) any non-excludable statutory warranties in Australia or New Zealand. All warranties are subject to the conditions set out in the warranty card accompanying the product when purchased.

### ELECTROLUX HOME PRODUCTS AUSTRALIA

telephone: 1300 363 640

fax: 1800 350 067

email: [customercare@electrolux.com.au](mailto:customercare@electrolux.com.au)

web: [www.electrolux.com.au](http://www.electrolux.com.au)

### ELECTROLUX HOME PRODUCTS NEW ZEALAND

telephone: 09 573 2230

fax: 09 573 2221

email: [customercare@electrolux.co.nz](mailto:customercare@electrolux.co.nz)

web: [www.electrolux.co.nz](http://www.electrolux.co.nz)