

# OB60DDEX4

## 60CM TOWER

### BUILT-IN OVEN

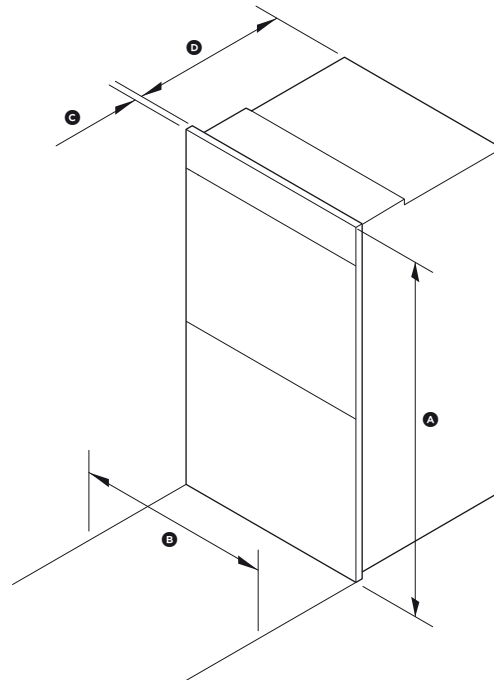
Fisher & Paykel ovens are designed with simply perfect cooking in mind. The OB60DDEX4 gives you the flexibility to prepare several courses simultaneously with two full sized oven combination. Clean lines and flat panelling in glass and stainless steel complement the style and elegance of any modern kitchen.



MODEL	OB60DDEX4
<b>Total Capacity+</b>	71 + 71L
<b>Usable Capacity+</b>	58 + 58L
<b>Dimensions</b>	H1077 x W595 x D567mm
FEATURES	BENEFITS
7 Oven Functions (Both Cavities)	The range of oven functions allow for a variety of food to be cooked to perfection: Defrost, Bake, Fan Bake, Fan Forced, Grill, Fan Grill and Warm.
3000W Drop Down Grill Element	Provides even heat output for optimum grilling performance. The grill element can be dropped down for easy cleaning.
Electronic Clock	Provides a range of features including automatic cooking which allows you to pre-programme the cooking function, start and end times, an illuminated display, semi-automatic cooking and a timer.
Triple Glazed Door and Cavity Cooling System	Specially designed system minimises heat transfer by circulating cool air around the oven. This protects kitchen cabinetry and ensures the external surface of the door remains at a safe temperature to touch.
Side and Rear Self-cleaning Catalytic Panels	Makes cleaning the oven much easier by absorbing and removing oil and fat splashes during normal cooking, saving hours of difficult manual cleaning.
Safety	Telescopic slide runners allow the shelving to slide effortlessly in and out of the oven making access to hot food safer and easier.
6 Shelf Position Racking System	Maximises the available space in the oven cavity for more cooking.

DIMENSIONS	MM
Ⓐ Overall height of product	1077
Ⓑ Overall width of product	595
Ⓒ Depth of product front and control panel (excl. handle and dials)	22
Ⓓ Depth of product chassis	545

For further details about sizes please refer to the installation manual.



+ measured to EN50304.2009+A1:2012 and EN60350.2009+All:2010

**Fisher & Paykel**

fisherpaykel.com