

Technical data

Supply voltage	220 - 240 V
Frequency	50/60 Hz
Maximum power consumption	550 W
Power supply cable length	2 m
Dimensions (width x depth x height)	482 x 540 x 176 mm
Weight (incl. accessories/packaging)	9.25 kg
Cooktop extractor power levels	1 - 9, P
duct connection	BORA Ecotube

Product description

- Intuitive control knob
- DLC (diamond-like-carbon) coated
- Automatic cover flap
- Premium design
- Minimum volume
- Simple cleaning
- Integrated grease drip pan
- Genuine stainless steel grease filter
- Modular system
- Automatic extractor control

Scope of delivery

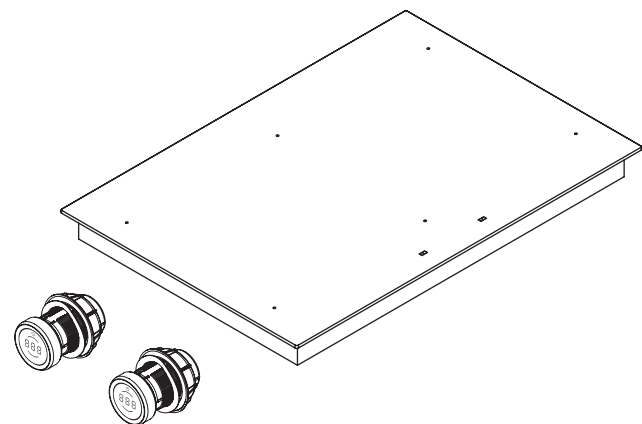
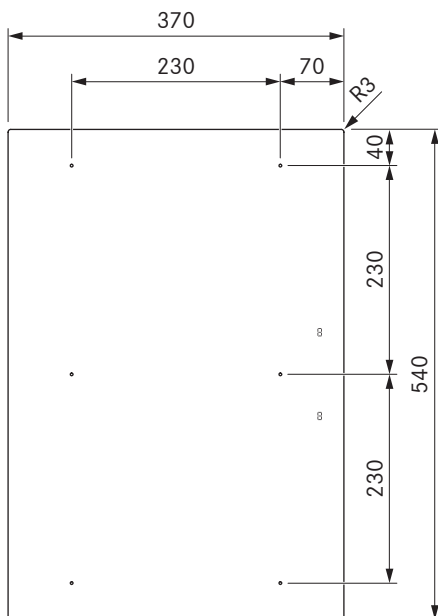
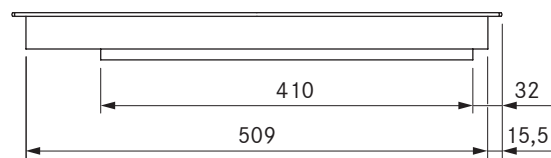
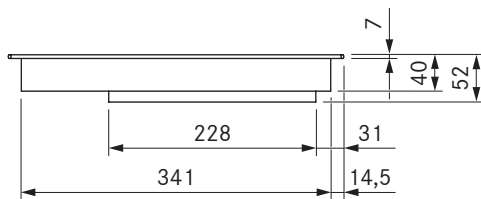
- Cooktop extractor PKA3AB with integrated 90° bend
- Straight duct element
- Control knob
- additionally 4 x Pro knob ring All Black PKR3AB
- cover flap
- stainless steel grease filter
- Filter tray
- Maintenance tray
- CAT 5 communication cable
- Universal control unit
- connection cable for the control knob
- operating and installation instructions
- height adjustment plate set
- Mounting clamps
- Power supply cable with type E + F plugs
- Ecotube seal flat EFD

Accessories

- PKA1FF stainless steel grease filter
- PKA1VKAB cover flap
- PKA1FW filter tray
- UNLI type I power supply cable (AUS)
- UNLJ type J power supply cable (CH)
- UNLG type G power supply cable (GB-IE)
- UNLB type B power supply cable (PH)
- UNLH type H power supply cable (IL)

product- and planning instructions

- Suitable for use as a recirculation or exhaust system
- Compatible with all BORA Professional 3.0 cooktops and BORA Universal fan modules
- In addition, four knob ring All Black are included for the adjacent cooktops
- Use of an additional fan module is possible for very long or complex exhaust air channels
- The worktop height can be adjusted as necessary
- Worktop depth: ≥ 700 mm (in conjunction with the straight duct element ≥ 650 mm)
- Airflow possible to the right or left
- Fan can be positioned in the plinth area as a result of the low installation height (100 mm) (when using the ULS plinth fan only)
- Installation type: flush or surface-mounted
- Universal control unit as central connection point can be simply and compactly positioned in the plinth area
- The extractor and Universal control unit are connected by a CAT 5 communication cable
- The drawers and/or shelves in the floor unit must be removable for maintenance and cleaning purposes
- The BORA Ecotube duct system is optimally tailored to the BORA cooktop extractors and guarantees 100% functionality and optimum performance
- The Professional cooktop extractor system can be combined with all BORA sockets



Technical data

Supply voltage	220 - 240 V
Frequency	50/60 Hz
Maximum power consumption	3.68 kW
Maximum power rating	3.68 kW
Minimum fuse protection	1 x 16 A
Power supply cable length	1,5 m
Dimensions (width x depth x height)	370 x 540 x 52 mm
Weight (incl. accessories/packaging)	8.1 kg
Surface material	SCHOTT CERAN®
Cooktop power levels	1 - 9, P
Size of front cooking zone	230 x 230 mm
Size of rear cooking zone	230 x 230 mm
Front cooking zone output	2100 W
Rear cooking zone output	2100 W
Front cooking zone power setting output	3680 W
Rear cooking zone power setting output	3680 W

Product description

- Intuitive control knob
- Oversized surface induction cooking zones
- Performance level display on the cooktop
- Variable heat retention function
- bridging function
- Childproofing feature
- Cooking zone timers
- Timer
- Demo mode
- Pause function

Scope of delivery

- Surface induction cooktop PKFI3
- 2 x control knobs
- 2 x connection cables for the control knobs
- Connection cable to the extractor
- operating and installation instructions
- mounting straps
- height adjustment plate set

product- and planning instructions

- Rotation by 180° possible during installation
- Please note that induction-compatible cookware must be used on induction cooktops
- Ensure sufficient ventilation of the area below the cooktop.

EN Energy labelling PKAS3/PKAS3AB

Product information according to delegated regulation (EU) no. 65/2014 and regulation (EU) no. 66/2014.

Manufacturer		BORA	
Model identification		PKAS3/PKAS3AB	
	Symbol	Value	Unit
Energy consumption			
Annual energy consumption	AEC _{hood}	28,0	kWh/a
Energy efficiency class	-	A+	-
Energy efficiency index	EEl _{hood}	39,8	-
Flow volume			
Fluid dynamic efficiency	FDE _{hood}	34,3	-
Fluid dynamic efficiency class	-	A	-
Minimum air flow in normal use	-	221	m ³ /h
Maximum air flow in normal use	-	558	m ³ /h
Maximum air flow on intensive or boost setting (power setting)	Q _{max}	670	m ³ /h
Measured air flow rate at best efficiency point	Q _{BEP}	296,7	m ³ /h
Measured air pressure at best efficiency point	P _{BEP}	417,0	Pa
Measured electric power input at best efficiency point	W _{BEP}	100	W
Time increase factor	f	0,8	-
Lighting			
Lighting efficiency	LE _{hood}	*	lx/W
Lighting efficiency class	-	*	-
Nominal power of the lighting system	W _L	*	W
Average illumination of the lighting system on the cooking surface	E _{middle}	*	lx
Grease filtering			
Grease filtering efficiency	GFE _{hood}	74,7	%
Grease filtering efficiency class	-	D	-
Noise			
Airborne acoustical A-weighted sound power emissions at minimum speed available in normal use	-	46	dB(A) re ₁ pW
Airborne acoustical A-weighted sound power emissions at maximum speed available in normal use	-	67	dB(A) re ₁ pW
Airborne acoustical A-weighted sound power emissions on intensive or boost setting (power setting)	-	70	dB(A) re ₁ pW
Sound pressure level at minimum speed available in normal use**	-	34	LpA in dB re 20 µPa
Sound pressure level at maximum speed available in normal use**	-	55	LpA in dB re 20 µPa
Sound pressure level on intensive or boost setting (power setting)**	-	58	LpA in dB re 20 µPa
Power consumption			
Power consumption in off mode	P _o	0,18	W
Power consumption in standby mode	P _s	*	W

Energy labelling

* Not applicable to this product.

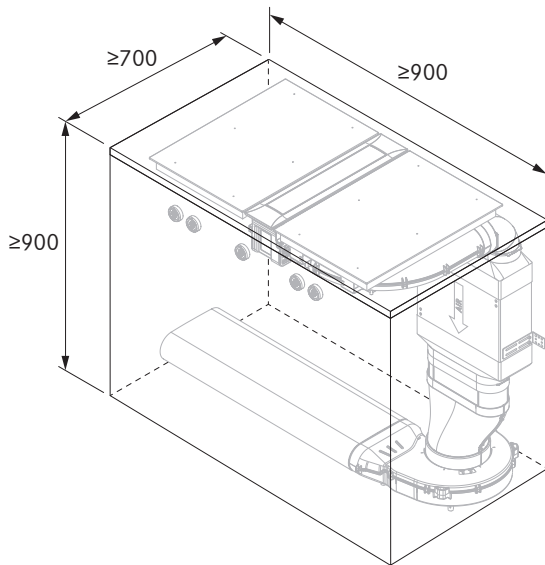
** Voluntary information

The sound pressure level has been determined from a distance of 1 m (distance-dependent level recording) on the basis of the sound power level established in EN 60704-2-13.

Minimum dimensions for installation

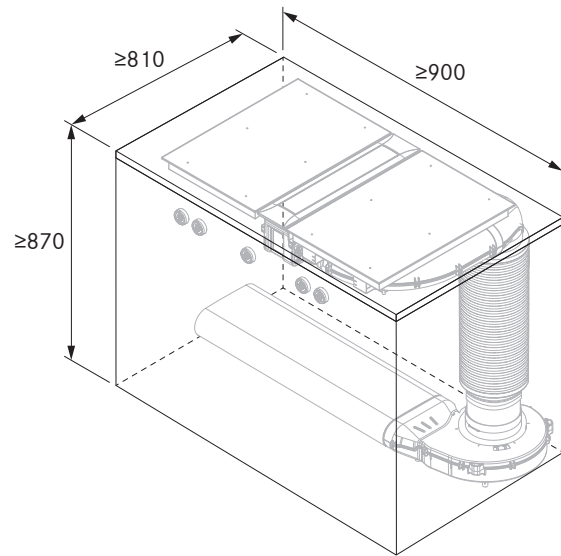
BORA Professional 3.0

Minimum dimensions for installation PKA3 + UESDFSL:



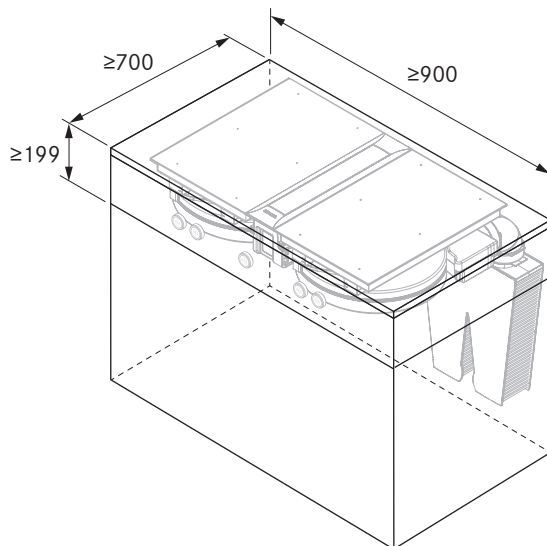
(The bottom drawer must be shortened,
ULS plinth fan with air release to the left)

Minimum dimensions for installation PKA3 + UESDRSL:

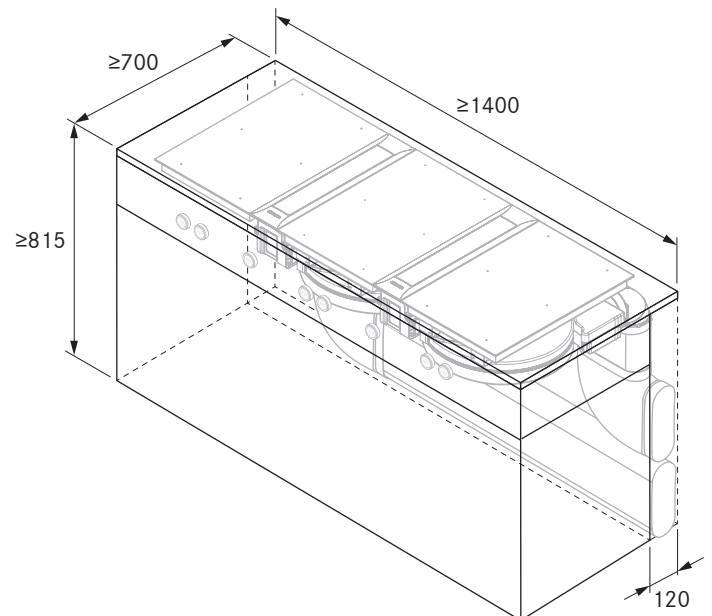


(ULS plinth fan with air release to the left)

Minimum dimensions for installation PKAS3 + EFBV90 + ULBF:



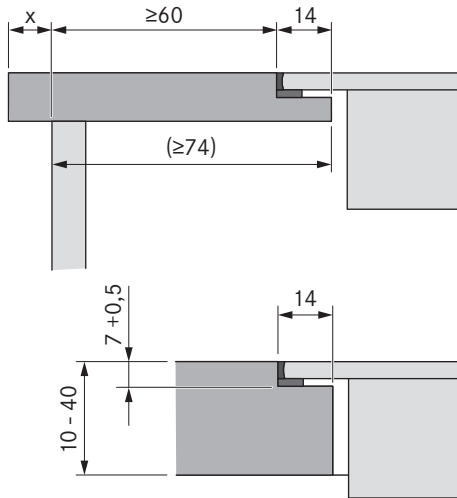
Minimum dimensions for installation 2 PKAS3 (exhaust system):



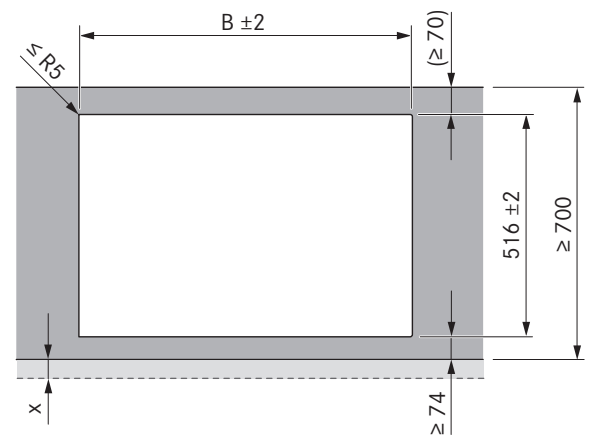
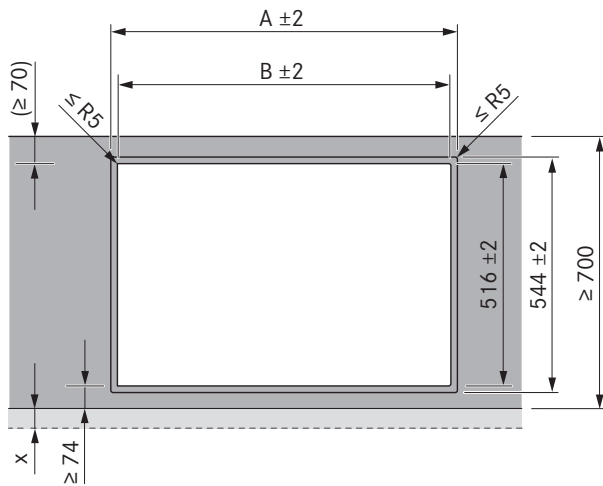
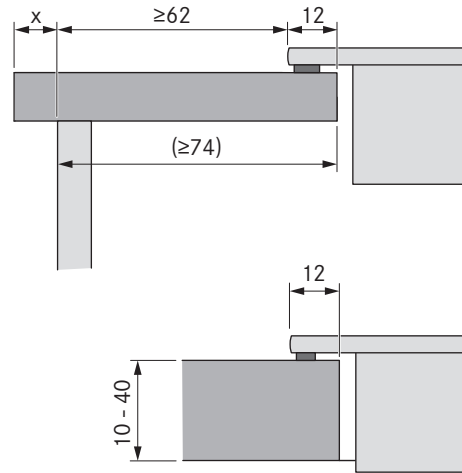
Cut-out dimensions

BORA Professional 3.0

Flush installation



Surface mounting



Cooktops/cooktop extractor		A in mm	B in mm
	1/0	374	346
	1/1	485	457
	2/1	856	828
	3/2	1338	1310
	4/2	1709	1681

Cooktops/cooktop extractor		B in mm
	1/0	346
	1/1	457
	2/1	828
	3/2	1310
	4/2	1681

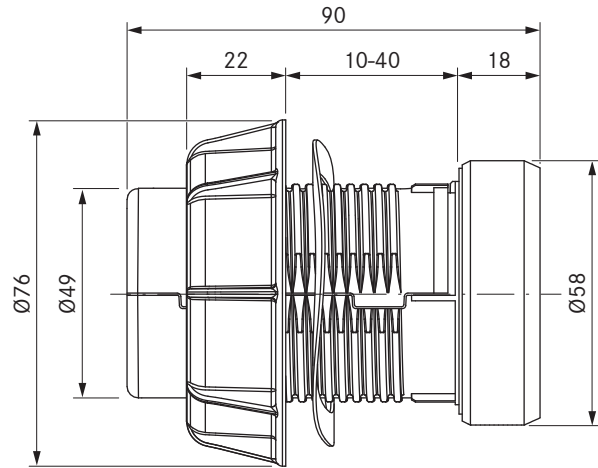
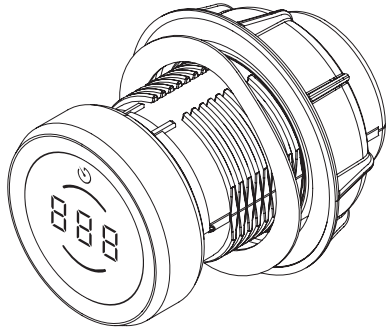
Important planning instructions:

- All dimensions from the front edge of the front cover.
- Cut-out dimensions tolerance ± 2 mm.
- Clearance of 1 mm should be planned between the built-in appliances.
- Clearance of 2 mm should be planned around the built-in appliances.
- Please note the worktop manufacturer's instructions with regard to the suitability of the worktop. Worktop cut-outs must be moisture-sealed using suitable means or, where necessary, fitted with a thermal insulator (e.g. in the case of Corian or HiMacs worktops).

Control knob

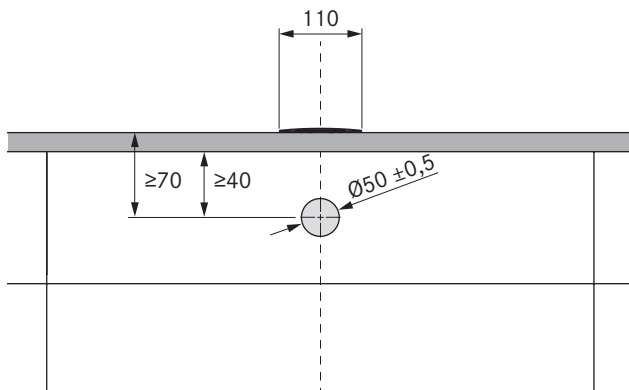
BORA Pro control knob

Appliance and installation dimensions

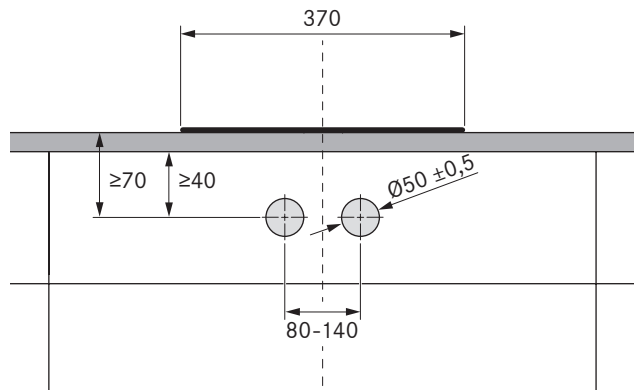


Bore holes

Bore hole for the control knob on the Professional cooktop extractor:

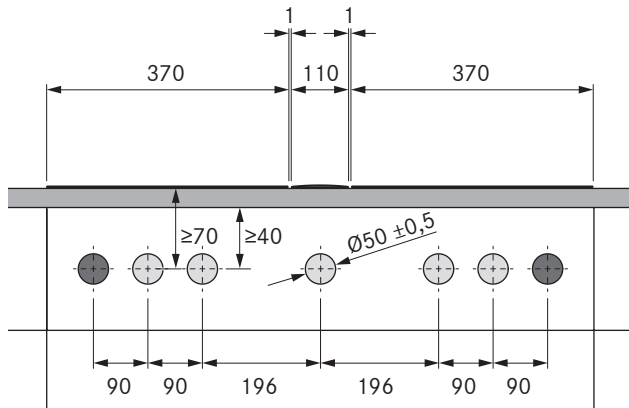


Bore holes for the control knobs on the Professional cooktops:

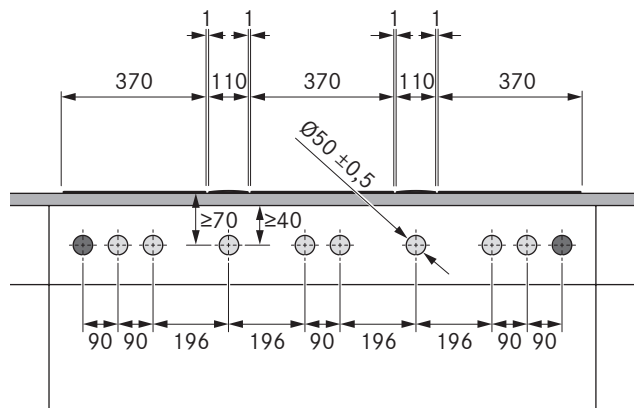


Bore hole examples

Bore holes for installing 2 cooktops, 1 cooktop extractor and 2 sockets



Bore holes for installing 3 cooktops, 2 cooktop extractors and 2 sockets

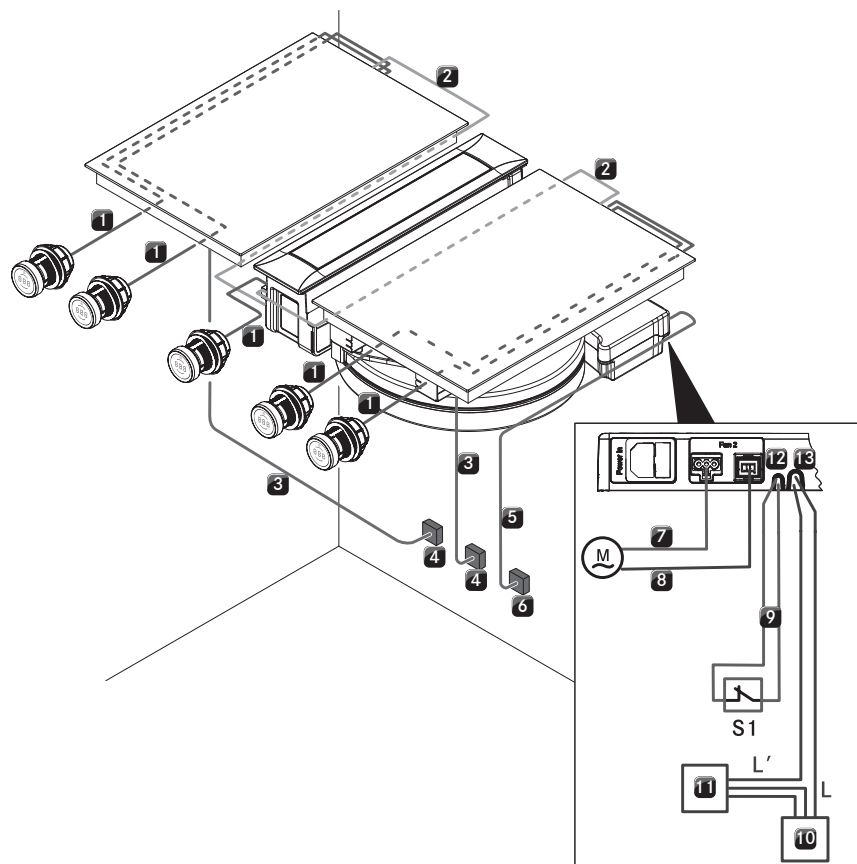


⊕ = Control knob bore holes ⊙ = Socket bore holes

Connection diagram

BORA Professional 3.0

BORA Pro cooktop extractor system PKAS3



Position	Description	Note
1	Cable control knob – interface	Length 1 m
2	Automatic extraction system cable	Length 1 m
3	Cooktop power supply cable	Length 1.5 m
4	Power supply per cooktop: PKT3, PKC3, PKCB3, PKCH3 PKFI3, PKI3, PKIW3, PKG3	L1/L2/N/PE min. fuse protection 2 x 16 A L/N/PE min. fuse protection 1 x 16 A
5	PKAS3/PKAS3AB power supply cable	Length 2 m (country-specific)
6	PKAS3/PKAS3AB power supply	
7	Fan 2 power supply cable	
8	Fan 2 control line	
9	Connection cable Home-In	
10	Power supply for external device	
11	External device	e.g. electrically operated wall sleeve
12	Home-In connection	24V DC / 100 mA
13	Home-Out connection	Maximum 250 VAC/ 30 VDC, 2.5A
M	Fan 2	
S1	External switch contact	e.g. window contact switch for operating in exhaust mode with flues

The connection diagram shows the maximum connection options required and is for planning purposes only.
The connection itself must be carried out by a qualified specialist based on the operating instructions.