

60cm SteamBake multifunction 8 stainless steel oven with knob control and programmable timer.
RRP AUS \$1,599.00 NZ \$2,499.00



Product Details

FEATURES

SteamBake	Programmable timer	Simple interface	Fast heat-up
Fan convection system	Multi-level cooking	Soft-close doors	OptiFlex™ telescopic runners

BENEFITS

ADD STEAM FOR CRISPIER RESULTS

The SteamBake button in this oven adds steam at the beginning of the baking process. The steam cooking keeps the dough moist on the surface to create a golden colour and tasty crust, while the centre stays soft and tender.

FUSS FREE INTERFACE

Let the oven take care of timing. The user interface allows you to set the clock, cook time, cut off time and a minute minder so you can focus on the flavour.

GET COOKING FASTER

The Fast heat-up function warms your oven to the desired temperature very quickly so you are able to start cooking sooner.

CLOSE WITH A WHISPER

Soft Closing hinges ensure smooth and virtually silent door closure, for a premium feeling time after time.

Specifications

PRODUCT PROFILE

Domestic warranty details (yrs)	5
Type of Oven	single oven
Oven fuel	electric
Materials/Colour	mark resistant stainless steel
Controls of Oven	retractable control knobs
Control panel material	Glass,mark resistant stainless steel
Control panel design	Flat
Knob finish	stainless steel
Handle design	pole
Handle Finish/Colour	stainless steel
Door material (exterior)	stainless steel/glass
Cooling fan	Yes
Sub-category (for AEG only)	Single Ovens

DIMENSIONS

PRODUCT DIMENSION

Total height (mm)	594
Total width (mm)	595
Total depth (mm)	567

FLUSH FIT CUT OUT

Flush fit cut out height (mm)	600
Flush fit cut out width (mm)	600
Flush fit cut out depth (mm)	580

MAIN OVEN

Gross capacity litres	77
Useable capacity litres	71
Oven function	multifunction
Number of functions	8
Oven Functions	pizza,grill,defrost,true fan,bottom heat,turbo grilling,conventional cooking/traditional cooking,moist fan baking
Oven liner	enamel
Timer functions	duration,end,minute minder,Auto off ,Cook time,End time,Time of day,24 hour clock,acoustic signal
Light wattage	40

ELECTRICAL CONNECTION

Connected load KW	3.2
Maximum current rating (amps)	16
Type of connection	hardwired
Fan element watts	2400

OTHER FEATURES

Door	removable door,drop down,IsoFront cool door,Soft close
Timer	Programmable timer
Timer colour	white

ELECTRICAL CONNECTION

Grill element watts	1900
Bottom element watts	1000
Top element watts	1050

OTHER FEATURES

Lights	1
Light wattage	40
Light position	top
Telescopic runners	one
Shelf support	multi position side racks
Number of shelves	2
Safety features	isofront plus triple glazed door
Closed door grilling	Yes
Fold down grill element	Yes
Included accessories	wire grill insert, 2 x chromed wire shelf, dripping pan, cake tray
Layers of glass in door	3
Number of shelf positions	5

SHIPPING

Shipping Volume (m3)	0.285
----------------------	-------

SHIPPING

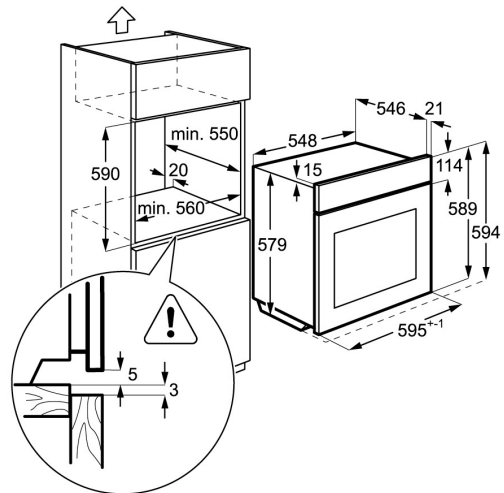
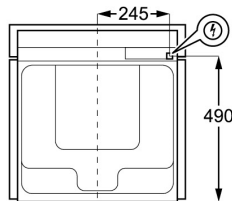
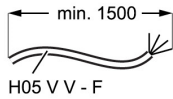
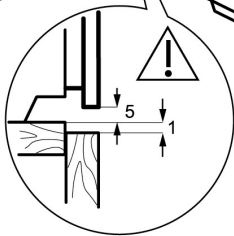
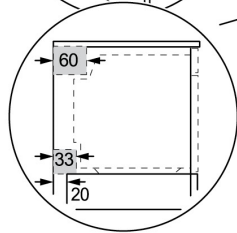
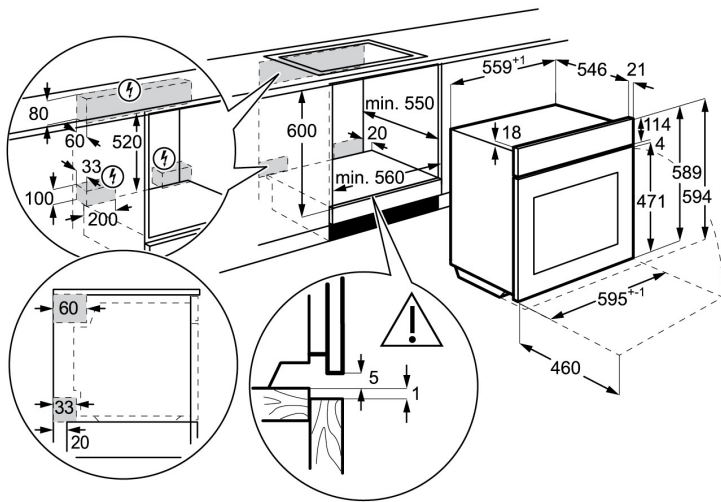
Shipping Weight (Kg)	36.5
----------------------	------

Pack Dimensions Height (mm)	670
-----------------------------	-----

Pack Dimension Width (mm)	635
---------------------------	-----

Pack Dimension Depth (mm)	670
---------------------------	-----

Dimensions



IMPORTANT

These dimensions are a guide only. All measurements are in millimetres (mm).
For complete installation instructions, refer to the manual provided with product.

Terms and Conditions

IMPORTANT

This is a guide of product dimensions only. For complete installation instructions, refer to the manual provided with product.

PRODUCT INFORMATION

The descriptors and illustrations in this publication apply to the specific products and models described as at the date of issue. Under our policy of continuous product development, product specifications may change without notice. Prospective purchasers should therefore check with their retailer to ensure this publication correctly describes the products that are being offered for sale. All information supplied is to be used for general reference purposes only and is on the understanding that Electrolux Home Products Pty Ltd (Australia) and Electrolux (NZ) Ltd (New Zealand) will not be liable for any loss, liability or damage of whatever kind arising as a result of reliance on such information. Colours of products illustrated are as close as printing limitations allow. Electrolux will at all times comply with its obligations pursuant to law including Trade Practices (Australian Consumer Law) Act and Regulations.

WARRANTY

Electrolux Home Products warrants that for domestic applications the AEG appliances featured are free from defects in materials and workmanship for 5 years (3 months warranty for commercial applications). All warranties are subject to the conditions set out in the warranty card accompanying the product when purchased.

ELECTROLUX HOME PRODUCTS AUSTRALIA

telephone: 1300 363 664

fax: 1800 350 067

email: customercare@aegaustralia.com.au

web: www.aeg.com/au

ELECTROLUX HOME PRODUCTS NEW ZEALAND

telephone: 0800 10 66 10

fax: 09 573 2221

email: customercare@electrolux.co.nz

web: www.aeg.com/au