



**AF210162**  
**Flat kitchen hood 200 series**  
**Stainless steel handle bar**  
**Width 60 cm**

**Air extraction / Air recirculation**  
 Unobtrusive flat kitchen hood design thanks to integrated glass panel in the steam screen  
 Especially quiet operation thanks to integrated sound insulation  
 Steam screen extends by pulling the handle bar  
 Especially high air output  
 Energy-saving, low-noise fan  
 Function for automatic, sensor-controlled power adjustment depending on the build-up of cooking vapours  
 Dimmable, neutral white LED light for ideal illumination of the whole cooktop  
 The patented lowering frame allows the slideout rangehood to disappear completely into the upper cabinet  
 Air extraction or air recirculation system  
 Air recirculation module with activated charcoal filter: quiet and highly efficient air recirculation solution with odour reduction in air extraction mode and long replacement intervals

#### Output

Performance and noise level, output level 3/Intensive: Air output according to EN 61591. Sound power level according to EN 60704-3. Sound pressure level according to EN 60704-2-13. Odour reduction for air recirculation in accordance with EN 61591.  
 Odour reduction air recirculation 91%.

#### Features

Controls at front.  
 3 electronically controlled power levels and 1 intensive mode.  
 Automatic function with sensor-controlled run-on function.  
 Grease filter saturation indicator.  
 Stainless steel grease filter, dishwasher-safe.  
 Neutral white LED light (3500 K), continuously dimmable.  
 Lamp output 2 x 1.5 Watt LED Lights. Illuminance 355 lx.  
 Light can be switched on separately.  
 Fan technology with highly efficient, brushless DC motor (BLDC).  
 Integrated sound insulation for quiet operation.  
 The fan is activated when the steam screen is extended.  
 Patented technology for extension of the steam screen.  
 Extendable steam screen 198 mm.  
 Airflow-optimised interior for efficient air circulation and ease of cleaning.  
 Patented easy mounting system for simple installation.  
 The package includes an one-way flap.

#### Consumption data

Energy consumption 40.3 kWh/year.  
 Sound level min. 41 dB / max. 57 dB normal mode.

#### Planning notes

Patented air recirculation module with activated charcoal filter can be installed in the upper cabinet. The activated carbon filter can be changed from the front by simply pulling out the activated charcoal filter.  
 The door of the upper cabinet must be fully open in order to change the activated charcoal filter.

#### Characteristics

**Product name/family**  
**Color chimney**  
**Typology**  
 Pull-out  
**Approval certificates**  
 Australia Standards, CE, Eurasian, G-Mark, VDE  
**Length electrical supply cord (cm)**  
 175  
**Required niche size for installation (HxWxD)**  
 349mm x 524.0mm x 290mm  
**Height of the chimney (mm)**  
**Height of product, without chimney (mm)**  
**Minimum distance above an electric hob**  
 430  
**Minimum distance above a gas hob**  
 650  
**Net weight (kg)**  
 14.020  
**Type of control**  
 Electronic  
**Number of speed settings**  
**Maximum output air extraction (m3/h)**  
 514  
**Boost position output recirculating (m3/h)**  
 885.0  
**Maximum output recirculating air (m3/h)**  
**Boost position air extraction (m³/h)**  
 953  
**Number of lights**  
 2  
**Noise level (dB)**  
 57  
**Diameter of air outlet (mm)**  
 120 / 150  
**Grease filter material**  
 Washable stainless steel  
**EAN code**  
 4242006294595

#### Consumption and connection features

**Connection Rating (W)**  
 264  
**Current (A)**  
 10  
**Voltage (V)**  
 220-240  
**Frequency (Hz)**  
 50; 60  
**Plug type**  
 CH plug w/ earthing, Gardy plug w/ earthing, GB plug  
**Installation typology**  
 Built-in  
**2020-06-16**  
**Page 1**

To be installed in an upper cabinet without base.  
 The required cavity depth of the upper cabinet together with the lowering frame measures 335 mm.  
 The required cavity height of the upper cabinet together with the lowering frame measures 600 mm.  
 Clearance above gas appliances min. 65 cm (more than total load gas 12 kW min. 70 cm).  
 Clearance above electric appliances min. 43 cm.  
 When installing a ventilation hood with air extraction mode and a chimney-vented fireplace, the power supply line of the ventilation appliance needs a suitable safety switch.

#### Connection

Total connected load 264 W.  
 Connecting cable 1.8 m, pluggable.  
 For air recirculation an external filter module is required.

#### Color Variants

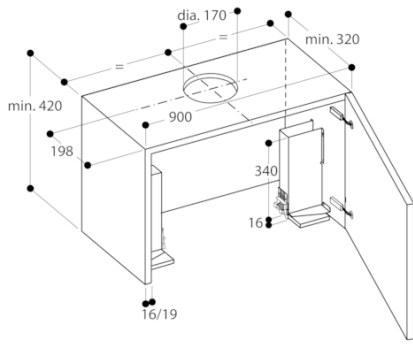
**AF210162**  
**Stainless steel handle bar**  
**Width 60 cm**

#### Optional accessories

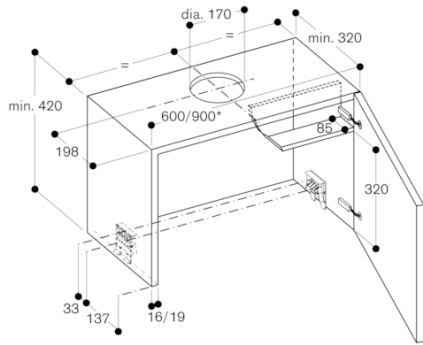
**AA210110**  
 1 activated charcoal filter with high efficient odour reduction due to increased surface. For air recirculation module AA 211 812.  
**AA211812**  
 Patented air recirculation module including 1 activated charcoal filter with high efficient odour reduction due to increased surface

#### Installation Accessories

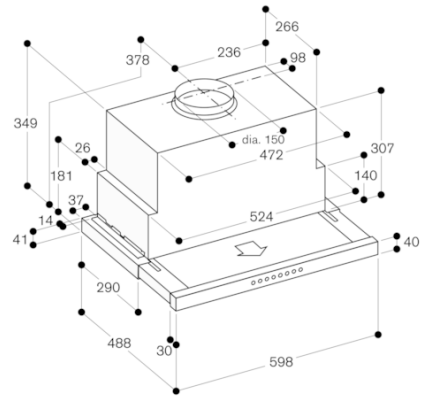
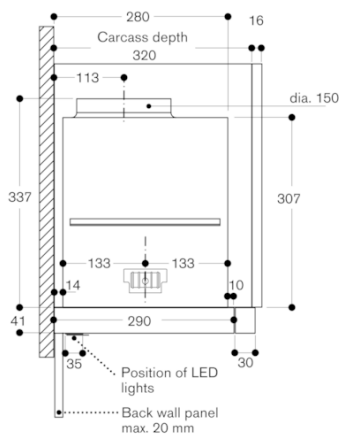
**AA210460**  
 Lowering frame for 60 cm flat kitchen hood



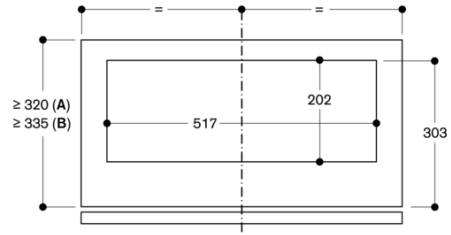
Upper cabinet for AF 210



\* for upper cabinets measuring 90 cm, the AA 210 491 installation set is required in addition



View of upper cabinet from above with AA 211 812



A: Appliance only  
 B: Appliance with lowering frame  
 measurements in mm