

**Serie | 6, washing machine, front loader, 10 kg, 1400 rpm
WGA254U0AU**



10kg capacity washing machine with the innovative Anti-Stain function and EcoSilence Drive brushless motor for durability and quiet washing

- **AntiStain:** reliably removes 4 common stains.
- **EcoSilence Drive™:** the efficient and highly durable washing machine motor.
- **AllergyPlus:** developed for allergy sufferers and people with sensitive skin.
- **SpeedPerfect:** perfectly clean in up to 65% less time*.
- VarioDrum's breakthrough wave-droplet design provides a thorough yet gentle clean for fine textiles

Technical Data

Built-in / Free-standing : Freestanding
Height of removable worktop : 860 mm
Dimensions of the product : 848 x 598 x 590 mm
Height for building under : 860.00 mm
Net weight : 80.895 kg
Connection Rating : 1900 W
Fuse protection : 10 A
Voltage : 220 V
Frequency : 50 Hz
Approval certificates : Australia Standards, CE, VDE
Length electrical supply cord : 160 cm
Water consumption : 86 l
Door hinge : Left
Wheels : No
EAN code : 4242005244928
Capacity cotton - NEW (2010/30/EC) : 10.0 kg
Energy consumption : 0.74 kWh
Maximum spin speed : 1400 rpm
Noise level washing : 44
Noise level spinning : 69
Installation typology : Freestanding



Serie | 6, washing machine, front loader, 10 kg, 1400 rpm WGA254U0AU

10kg capacity washing machine with the innovative Anti-Stain function and EcoSilence Drive brushless motor for durability and quiet washing

Capacity

- Capacity: 10 kg

Consumption rates

- 5 Star energy rating
- 4.5 Star water rating (WELS)
- 86 litres water consumption per wash and 237 kWh energy consumption per year, based on the Cotton Eco program with 60°C temperature setting, 1400 spin speed, and a cold water connection

Programs

- Standard programs:
 - Cottons: hard-wearing items made from cotton, linen or blended fabrics
 - Cotton Eco: energy-saving program
 - Easy care: items made from synthetic or blended fabrics
 - Delicate/Silk: delicate, washable items made from silk, viscose and synthetics
 - Wool: hand or machine washable items that are made from wool or contain wool
- Additional specialty programs:
 - AllergyPlus/Hygienic: suits items that need to be hygienically clean such as towels, bed sheets or pillow cases
 - Drum Clean: cleaning and care program for the drum with reminder function
 - Kidswear: energy optimised program for heat-resistant items made of cotton or linen
 - Mixed: lightly soiled items made from cotton, linen, or blended fabrics
 - Spin/Drain: spins and drains the water
 - Sportswear: sports and leisure items made from synthetic fibres, microfibre or fleece
 - Rinse: rinses and then spins the laundry, and then drains the water
 - Quilts: items stuffed with down and synthetic fibres, such as pillows, quilts and bedspreads
 - Super 15'/30': short program for small lightly soiled items

Performance

- Automatic stain removal system with 4 stain options - activatable with standard programs. Simply select the type of stain on the display and then the temperature, drum

movement and soaking time will automatically adjust to the optimal settings

- ActiveWater Plus: for highly efficient use of water even with small loads thanks to automatic load detection.
- EcoSilence Drive: quiet, durable, and energy-efficient brushless motor (BLDC) with 10-year motor warranty
- VarioDrum: thorough yet gentle washing thanks to the unique drum structure design
- Spin speed 0 - 1400 rpm

Design

- Large LED display for program status, temperature, spin speed, and time remaining
- AntiVibration Side Panels reduce vibrations and noise levels, making it extremely quiet during the spin cycle

Convenience

- TouchControl buttons include:
 - Easy Iron: reduces creasing thanks to a special spin sequence
 - Prewash options for stubborn stains and heavily soiled garments
 - Finish in (delayed start): delay the start of the program by up to 24 hours
 - Rinse Plus: Adds more rinse cycles, suited for highly soiled clothing
 - SpeedPerfect: allows you to reduce the wash program time
 - Spin Speed: manually adjust the spin speed
 - AntiStain selection: select stain type, tea, oil, blood, cosmetics
 - Start/Pause with Reload function: allows you to add a forgotten garment even after the wash cycle has started
 - Temperature selection: manually adjust the temperature
- Reload function to pause machine operation for adding in last minute laundry items
- Self cleaning detergent drawer to remove detergent residue
- Drum Clean reminder function: the LED indicator will flash when a drum clean is required
- SpeedPerfect: perfectly clean in up to 65% less time.
- Large porthole, Silver-inox, black-grey with 165° door for easy loading/unloading

Safety

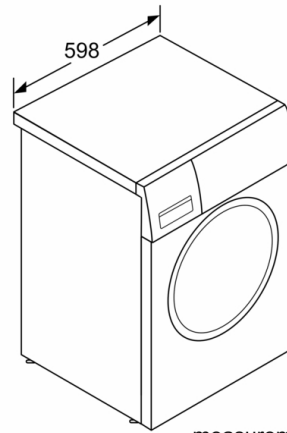
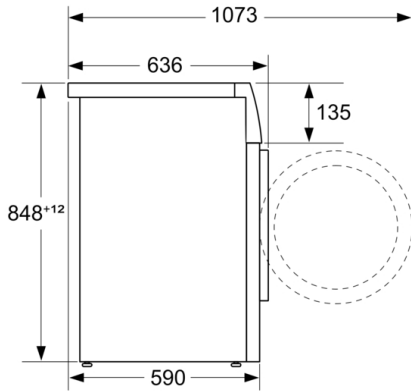
- AquaSecure anti-flood protection with self-sealing hose, minimises the risk of flooding
- Child lock for door and buttons

Technical Information

- Dimensions (H x W x D): 84.8 cm x 59.8 cm x 59.0 cm (63.6 cm including door handle)
- Operating noise level (based on Cotton 60°C program): wash 44 / 69 spin dB(A)

**Serie | 6, washing machine, front loader, 10
kg, 1400 rpm
WGA254U0AU**

measurements in mm



measurements in mm