



Features

- *e*water⁺ spreads out and keeps clean toilet bowl and nozzle by preventing bacterial with sanitizing effect
- Auto lid opening and closing
- Maximized comfort function with new wide front and pulsating cleansing
- Fully equipped with comfortable rear, front and oscillating cleansing functions
- Build-in with Motion Sensor - Microwave technology.
- Infrared Sensor for remote control capabilities
- Adjustable warm air dryer
- Heated Seat with temperature control
- Auto powerful deodorizer activates after every usage



*e*water⁺ is made from tap water by electrolyzed chloride ion without any chemicals. After use, it returns to normal water in the state of safe and environmental friendly

Specifications

Bowl Shape	: Elongated
Water Pressure	: 0.05Mpa~0.75Mpa
Power Rating	: 220~240V, 50/60Hz, 830~839W
Length of Power Cord	: 1.2 m
Material	: Plastic
Size	: 383W x 532D x 125H mm

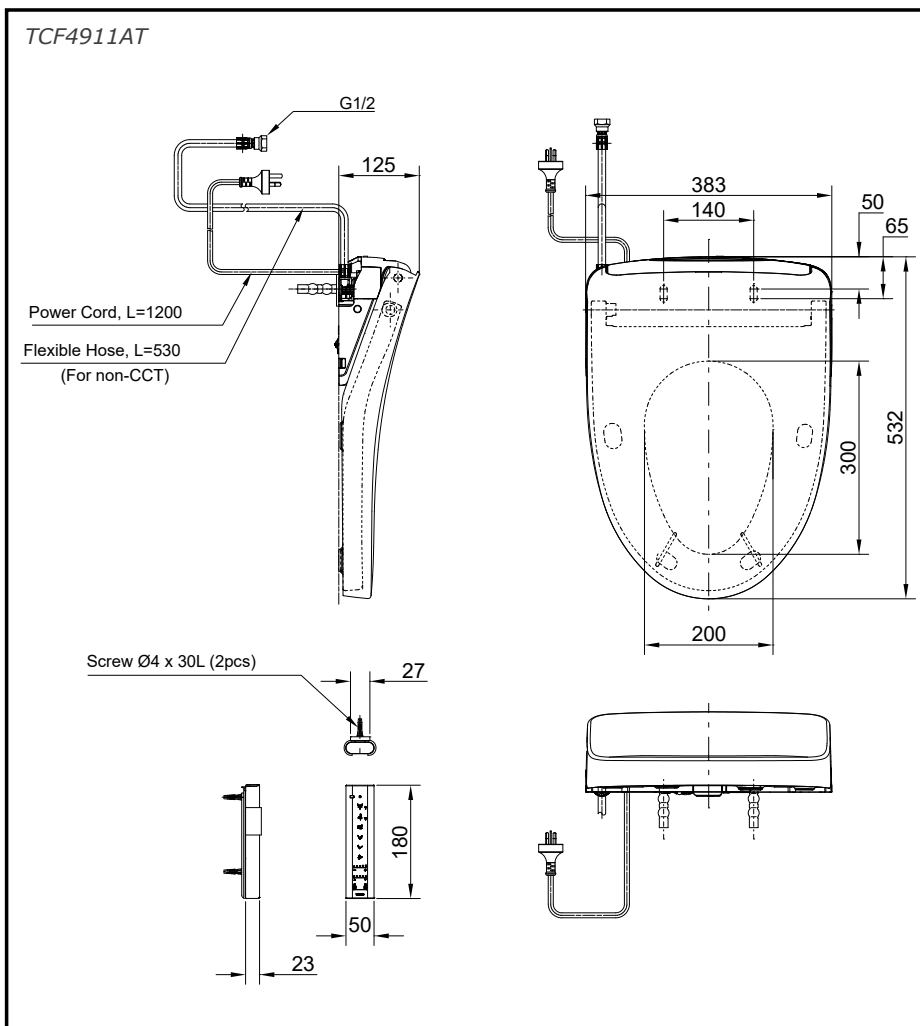
Parts description

- **TCF4911AT**
WASHLET
Elongated

Colors

White #NW1

Please consult a TOTO representative for details



Caution: WASHLET may not fit certain toilet bowl design. Please check the compatibility of WASHLET and your toilet bowl prior purchase.