

Serie | 8, Built-in oven with added steam function, 60 x 60 cm, Black HRG6753B1A



Included accessories

2 x combination grid
1 x universal pan
1 x grill tray
suit. pyrol. clean.

Optional accessories

HEZ327000 : Pizza stone
HEZ530000 : Half tray
HEZ531010 : Baking tray, non-stick ceramic coated
HEZ625071 : Grill tray, anthracite enamelled
HEZ632070 : Multipurpose pan, anthracite enamelled
HEZ633001 : Lid for professional pan, enamelled anth
HEZ634000 : Baking and roasting grid (standard)
HEZ638370 : 3 level telescopic rails, full ext,pyro

The built-in oven with AutoPilot and added steam: automatically prepares your dishes so they're crispy and juicy.

- **4D HotAir:** even heat distribution for perfect results – on any level.
- **AutoPilot 20:** every dish is a perfect success thanks to 20 pre-set automatic programmes.
- **Pyrolytic self-cleaning:** effortless cleaning thanks to pyrolytic cleaning programs.
- **2-stage telescoping rails, fully extendable:** for safe, easy insertion and removal of baking trays.
- **TFT display control:** easy-to-use thanks to the control ring with clear text and touch symbols.

Technical Data

Color / Material Front : Black
Built-in / Free-standing : Built-in
Cleaning : Pyrolytic+Hydrolytic
Required niche size for installation (HxWxD) : 585-595 x 560-568 x 550 mm
Dimensions (HxWxD) : 595 x 594 x 548 mm
Dimensions of the packed product (HxWxD) : 670 x 680 x 670 mm
Control Panel Material : Glass
Door Material : Glass
Net weight : 43.362 kg
Usable volume of cavity : 71 l
Heating functions : 4D hot air, Bottom heat, Conventional heat, Defrost, Full width grill, Half width grill, Hot Air-Eco, Hot Air grilling, Low temperature cooking, Pizza setting, Pre-heating, Warming
Oven control : electronic
Number of interior lights : 1
Approval certificates : CE, VDE
Length electrical supply cord : 120 cm
EAN code : 4242005287871
Number of cavities (2010/30/EC) : 1
Energy efficiency rating : A
Energy consumption per cycle conventional (2010/30/EC) : 0.90 kWh/cycle
Energy consumption per cycle forced air convection (2010/30/EC) : 0.74 kWh/cycle
Energy efficiency index (2010/30/EC) : 87.1 %
Connection Rating : 3600 W
Fuse protection : 16 A
Voltage : 220-240 V
Frequency : 50; 60 Hz
Plug type : no plug



Serie | 8, Built-in oven with added steam function, 60 x 60 cm, Black HRG6753B1A

The built-in oven with AutoPilot and added steam: automatically prepares your dishes so they're crispy and juicy.

Heating Functions

- Oven with 13 heating methods:
 - Defrost
 - 4D HotAir
 - Full width grill
 - 4D HotAir Eco
 - Half width grill
 - Top/bottom heating
 - Top/bottom heating Eco
 - Pizza setting
 - Slow cooking
 - Bottom heating
 - Hot air grilling
 - Preheat ovenware
 - Keep warm
- Additional heating methods with steam: Reheating, Dough Proving
- Temperature range 30 °C - 300 °C
- Cavity volume: 71 net usable litres

Hook-in racks / rails

- Number of shelf levels: 5 PC
- Telescopic rails: 2 level telescopic shelf rails, fully extendable, safety stop function, pyrolytic proof

Design

- Bosch Control Ring
- Anthracite enamel cavity with 5 shelf positions

Cleaning

- Pyrolytic self-cleaning function
- Cleaning Assistance - cleaning option for light soiling
- Full glass inner door

Convenience

- TFT Touch Symbol Display
- Electronic clock/timer with end time programming
- Automatic temperature proposal
 - Residual heat indicator
 - Actual temperature display
- AutoPilot, 20 automatic programs
- Additional functions:
 - Descaling programme
 - drying function
- Drop down door, Oven door with SoftClose, SoftOpen
- Bar handle
- Automatic programs
- Rapid heating-up: automatic
- Halogen lighting
- Large 1 litre water tank
- Water tank empty indicator
- Location of the steam generator is outside of the cavity
- Cooling fan

Accessories

- 1 x grill tray, suit. pyrol. clean., 2 x combination grid, 1 x universal pan

Safety and Environment

- Maximum door temperature 30° C
- Low door temperature during pyrolytic cleaning
- Electronic door lock
 - Child lock function
 - Automatic safety switch off function
 - Residual heat indicator
 - Start button
 - Door contact switch

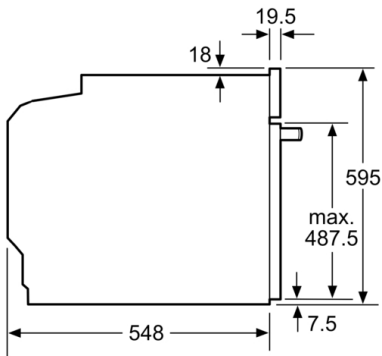
Technical Info

- Length of mains cable: 120 cm
- Nominal voltage: 220 - 240 V
- Total connected load electric: 3.6 KW

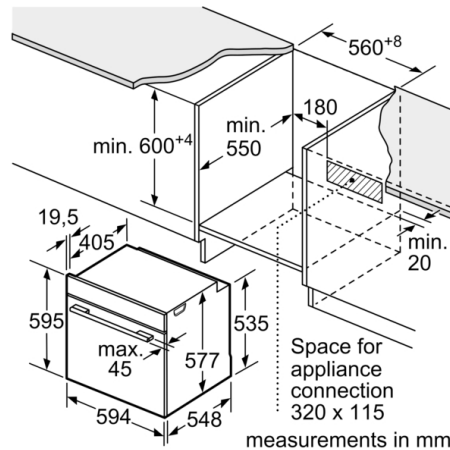
Dimensions

- Appliance dimensions (HxWxD): 595 mm x 594 mm x 548 mm
- Installation dimensions (HxWxD): 585 mm - 595 mm x 560 mm - 568 mm x 550 mm
- Please reference the built-in dimensions provided in the installation drawing

**Serie | 8, Built-in oven with added steam function, 60 x 60 cm, Black
HRG6753B1A**



measurements in mm



measurements in mm

If the appliance will be installed underneath a hob, the following worktop thicknesses (including substructure if necessary) must be taken into account.

Hob type	min. worktop thickness	
	fitted	flush
Induction hob	37 mm	38 mm
Full surface Induction hob	47 mm	48 mm
Gas hob	30 mm	38 mm
Electric hob	27 mm	30 mm

