

**Serie | 4, washing machine, front loader, 8 kg, 1200 rpm  
WAN24121AU**



**Enjoy the EcoSilence Drive motor quiet operation and durability with the convenience of having a wash program suited for pretty much anything**

- ActiveWater Plus load sensing technology that adapts the water flow automatically for the relevant load size
- EcoSilence Drive brushless motor that is powerful, durable, quiet and efficient
- Jeans/Dark Wash program for optimal cleaning of dark coloured laundry, such as jeans
- Reload function allows you to add a forgotten item comfortably while washing
- SuperQuick is a quick way of freshening up lightly-soiled laundry

---

**Technical Data**

Built-in / Free-standing : Freestanding  
Height of removable worktop : 850 mm  
Dimensions of the product : 848 x 598 x 550 mm  
Height for building under : 850.00 mm  
Net weight : 69.548 kg  
Connection Rating : 2300 W  
Fuse protection : 10 A  
Voltage : 220-240 V  
Frequency : 50 Hz  
Approval certificates : Australia Standards, CE, VDE  
Length electrical supply cord : 160 cm  
Water consumption : 80 l  
Door hinge : Left  
Wheels : No  
EAN code : 4242005274581  
Capacity cotton - NEW (2010/30/EC) : 8.0 kg  
Energy consumption : 0.85 kWh  
Spin drying performance class : C  
Maximum spin speed : 1200 rpm  
Noise level washing : 53  
Noise level spinning : 74  
Installation typology : Freestanding



4 242005 274581

## Serie | 4, washing machine, front loader, 8 kg, 1200 rpm WAN24121AU

**Enjoy the EcoSilence Drive motor quiet operation and durability with the convenience of having a wash program suited for pretty much anything**

### Capacity

- Capacity: 8 kg

### Consumption rates

- 4 Star energy rating
- 4 Star water rating (WELS)
- 80 litres water consumption per wash and 311 kWh energy consumption per year, based on the Cottons program with EcoPerfect and 60°C temperature setting, 1200 spin speed, and a cold water connection

### Programs

- Standard programs:
  - Cottons: hard-wearing items made from cotton, linen or blended fabrics
  - Cottons+PreWash: for stubborn stains and heavily soiled garments
  - Easy care: items made from synthetic or blended fabrics
  - Delicate/Silk: Delicate, washable items made from Silk, viscose and synthetics
  - Wool: hand or machine washable items that are made from wool or contain wool
- Additional specialty programs:
  - Jeans/Dark Wash: dark coloured cottons and dark coloured easy care fabrics
  - Shirts/Blouses: non-iron shirts and blouses made from cotton, linen, or blended fabrics
  - Kidswear: energy optimised program for heat-resistant items made of cotton or linen
  - Mixed: lightly soiled items made from cotton, linen, or blended fabrics
  - Sportswear: sports and leisure items made from synthetic fibres, microfibre or fleece
  - Rinse: rinses and then spins the laundry, and then drains the water
  - Spin/Drain: spins and drains the water
  - Quilts: items stuffed with down and synthetic fibres, such as pillows, quilts and bedspreads
  - Super 15'/30': short program for small lightly soiled items
  - Drum Clean: cleaning and care program for the drum with reminder function

### Performance

- ActiveWater Plus: for highly efficient use of water even with small loads thanks to automatic load detection.
- EcoSilence Drive: quiet, durable, and energy-efficient brushless motor (BLDC) with 10-year motor warranty
- Spin speed 400 - 1200 rpm

### Design

- Large LED display for program status, temperature, spin speed, and time remaining
- AntiVibration Side Panels reduce vibrations and noise levels, making it extremely quiet during the spin cycle

### Convenience

- Touch control option settings include :
  - Finish in (delayed start): delay the start of the program by up to 24 hours
  - Rinse Plus: Adds more rinse cycles, suited for highly soiled clothing
  - EcoPerfect/SpeedPerfect: Speed up the selected program without compromising the wash result, or opt for EcoPerfect to reduce energy consumption
  - Start/Pause with Reload function: allows you to add a forgotten garment even after the wash cycle has started
  - Temperature selection: manually adjust the temperature
  - Spin Speed: manually adjust the spin speed
- Reload function to pause machine operation for adding in last minute laundry items
- SpeedPerfect: allows you to reduce cleaning time by up to 65%
- Time delay to select end of time of your wash (1-24 hours) and time remaining indicator
- Large porthole with 180° opening door for easy loading/unloading

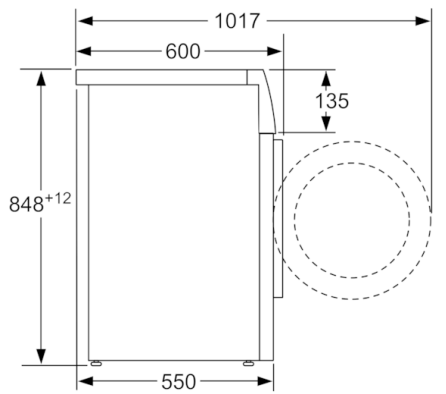
### Safety

- AquaSecure anti-flood protection with self-sealing hose, minimises the risk of flooding
- Child lock for door and buttons

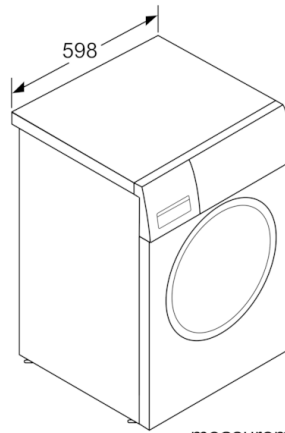
### Technical Information

- Dimensions (H x W x D): 84.8 cm x 59.8 cm x 55.0 cm (60.0 cm including door handle)
- Operating noise level (based on Cotton 60°C program): wash 53 / 74 spin dB(A)

**Serie | 4, washing machine, front loader, 8  
kg, 1200 rpm  
WAN24121AU**



measurements in mm



measurements in mm