

# HG1776AD

## General description

HG1776AD  
Product area: Kitchen  
Market: Domestic  
Product group: Hob  
Installation type: Built-in  
Available colour: Anthracite

## Construction & Performance

Surface material: Matt black enameled coating  
Convenient maintenance with one-piece burner head

## Use & Flexibility

Extra support for wok pots  
Gas conversion set  
Chef function

## Interaction & Control

Ergonomic knobs cast in one piece of metal: true  
Ignition integrated in knob  
Automatic ignition  
Exact and stepless power setting

## Design & Integration

Niche dimensions (HxWxD): 5,5 × 56 × 49 cm

## Safety & Maintenance

Easy to clean one piece burners

## Technical data

Gas type: G20/13 natural gas  
Connection rating: 1 W  
Frequency: 50-60 Hz

## Dimensions

Product dimensions (HxWxD): 4,8 × 75 × 52,6 cm  
Net weight: 14,4 kg

## Logistic information

Dimensions of packed product (HxWxD): 20,5 × 79 × 59 cm  
Gross weight: 16,7 kg  
Product code: 476656  
EAN code: 3838942016455



**Installation instructions**  
Gas hobs



The fitting of the appliance should only be carried out by a authorised person/licensed gasfitter. Please read the safety regulations. See the data plate for information regarding the total gas consumption, gas type and gas pressure.

**Preparations for installation**

**Pictograms used**

	<b>Important information</b>	
	<b>Gas connection</b>	
	<b>Electrical connection</b>	

**Free space around appliance**  
Rangehoods and exhaust fans shall be installed in accordance with manufacturers instructions.

**For an overhead exhaust fan A>750 mm!**

	A (mm)	B (mm)	C (mm)	D (mm)
HG16	min. 650	min. 600	min. 450	min. 120
HG17	min. 650	min. 750	min. 450	min. 120
HG19	min. 650	min. 900	min. 450	min. 120

**1/2" ISO 228 / 1/2" ISO 7-1**

The gas connection must comply with national and local regulations.

The hotplate can be connected with rigid pipe as specified in AS/NZS 5601.1 current edition.

When the appliance is connected with a hose assembly, the supply point shall be accessible with the appliance installed.

**220-240 V - 50/60 Hz - max. 1 W**

This appliance must be earthed

The electrical connection must comply with national and local regulations.

	A (mm)	B (mm)	C (mm)	D (mm)
HG16	600	526	48	520
HG17	750	526	48	594
HG19	900	526	48	514

Non-combustible: E ●  
Combustible: F ●

	A (>mm)	B (mm)	C (mm)	D (>mm)	E (>mm)	F (>mm)	G	H
HG16	600	560	490	60	50	125	55	100
HG17	600	560	490	60	50	125	55	100
HG19	600	860	490	60	50	125	55	100

**Accessibility!**

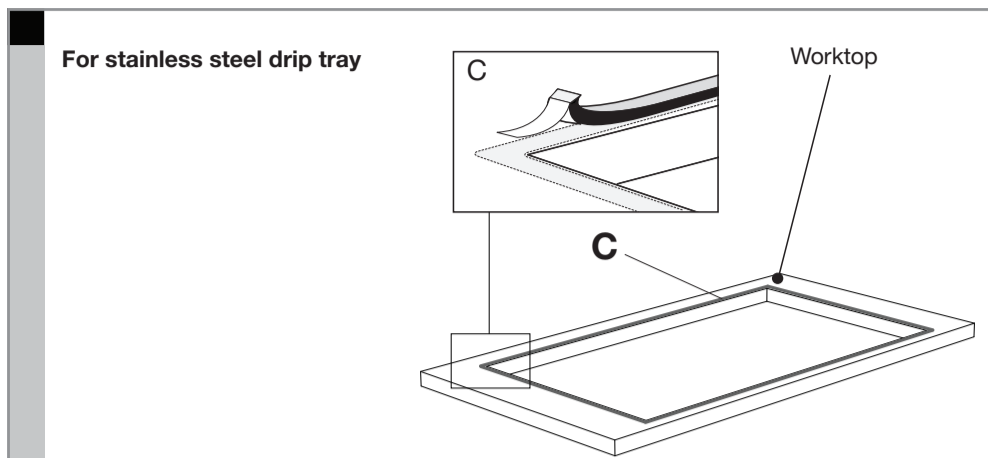
**Y:** metal Gas supply valve shall be accessible

**X:** safety hose Gas supply valve shall be accessible

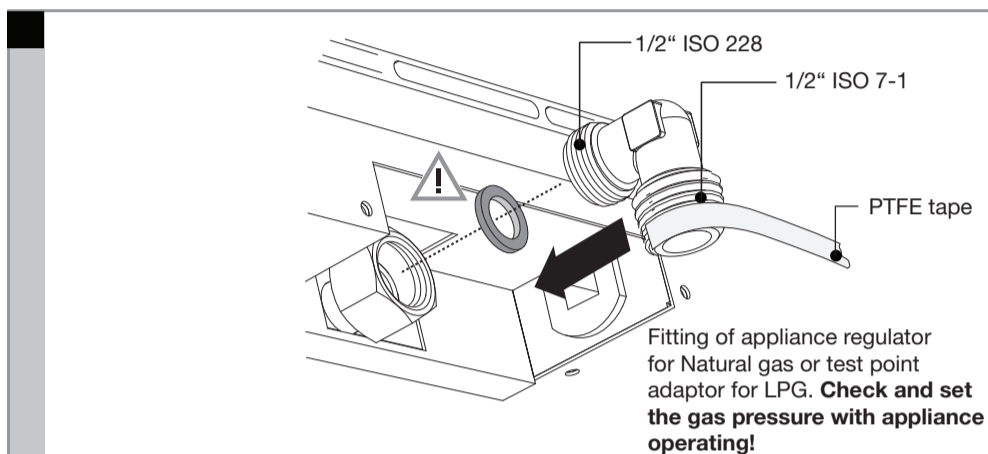
$y > 60^\circ C$

$x < 60^\circ C$

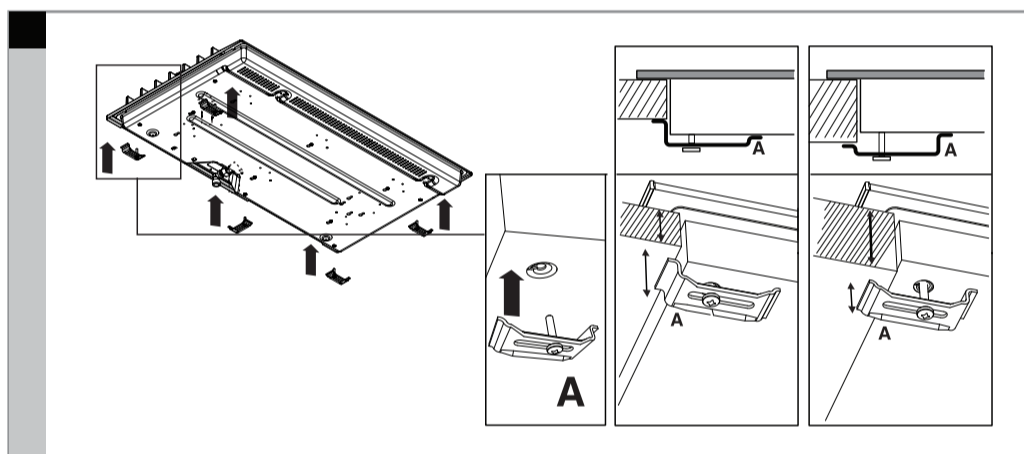
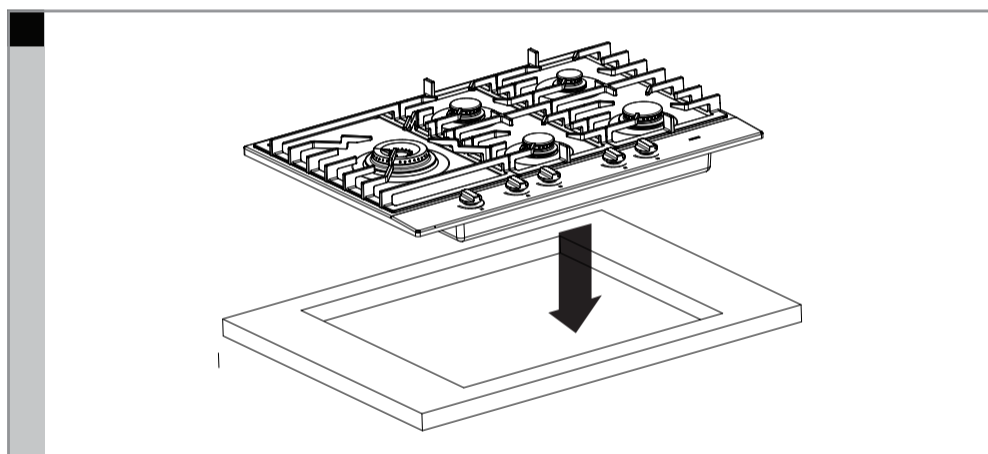
### Placing sealing tape



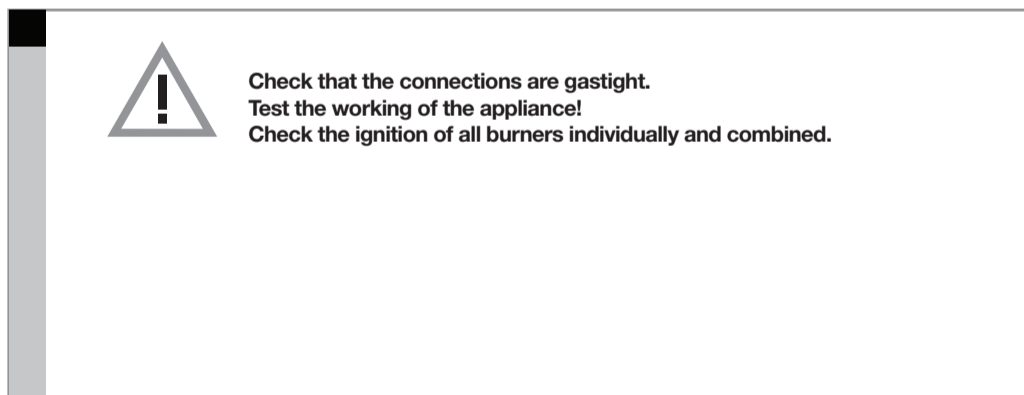
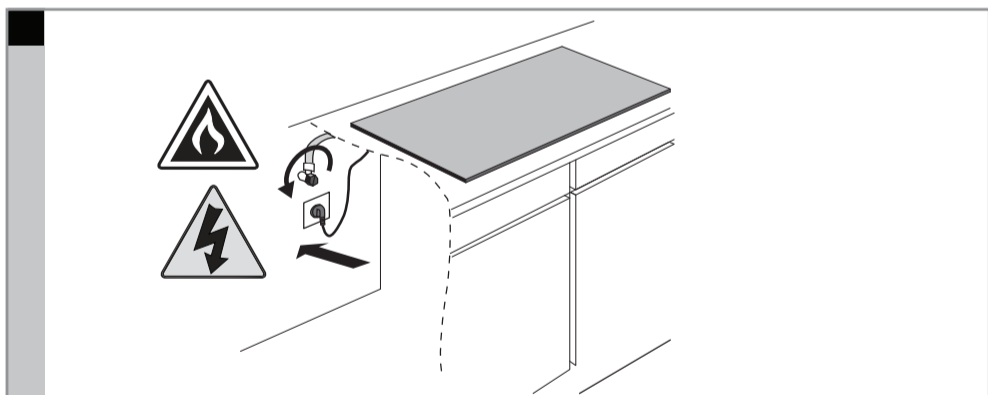
### Gas connection



### Building in



### Connecting and testing



	Small	Medium	Large	Wok
HG16	1	2	-	1
HG17	1	2	1	1
HG19	1	2	1	1

Gas	Burner	Injector burner (mm)	Adj. Screw (mm)	Burner rate (MJ/h)	Gas pressure (kPa)
Natural gas (NG)	Small	0.90	0.45	4.00	1.0
	Medium	1.17	0.60	6.70	
	Large	1.31	0.65	8.60	
	Wok	1.70 + 0.66	0.60	15.70	
ULPG	Small	0.46	0.26	2.60	2.75
	Medium	0.60	0.30	4.90	
	Large	0.72	0.36	7.10	
	Wok	0.93 + 0.40	0.40	13.60	



801726