

Neion Square wall faced intelligent toilet pan and Arcisan in-wall cistern

NEO41015

Package comprised of: Neion Square wall faced intelligent toilet with remote and Arcisan Slim concealed cistern.



Neion Square wall faced intelligent toilet pan with remote

NEO41260



Arcisan Slim Concealed Cistern

ARO4430

Neion Square wall faced intelligent toilet with remote

NEO41260

Power: 950W

Rated voltage: AC220 - 240V, 50-60Hz

Water proof rating: IPX4

WELS: 4 stars - 3/4.5L

WELS License / Reg No: 1483 / L06554

Set-out: S-trap 90mm
P-trap 180mm

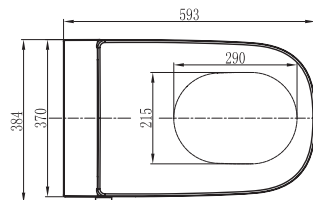
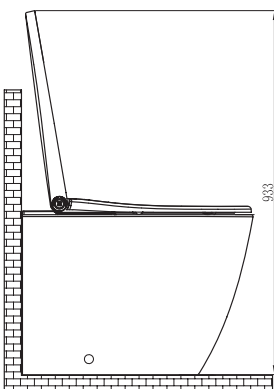
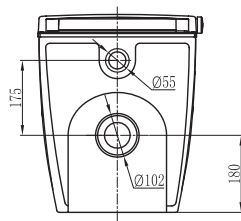
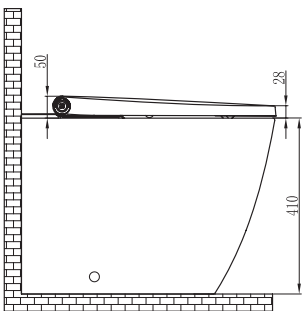
Finish: White



NOTE!!!

The Neion floor mount water closet pan with integrated bidet seat complies with WMTS-051.

Bidet seat has integral break tank with air gap complying with AS 2845.2. Thus it meets the High-Hazard backflow prevention requirements of AS/NZS 3500.1 without the need for a RPZ valve.



The Neion intelligent toilet, by Arcisan, was created by combining the aesthetics of a rimless toilet pan with the cleaning function of a bidet.

It may be compact in size but is not short on features! With a soft-close wrap seat, it also hosts a 2-user memory, so you can easily program your specific requirements. The Neion is fully customisable with gender specific functions, massage function, drying functions, pressure increase / decrease, air temperature controls, water temperature controls, LED night light and deodoriser (using a diatomaceous mud filter).

These functions are accessible through the easy to use remote control. There is also a quick access option for the basic functions, by simply using the control knob on the side of the seat.

Boasting a hard wearing, rimless ceramic pan and a nozzle that is self-cleaning before and after every use plus the tank runs a self-cleaning mode if left in standby for an extended period of time.

Slim Concealed Cistern

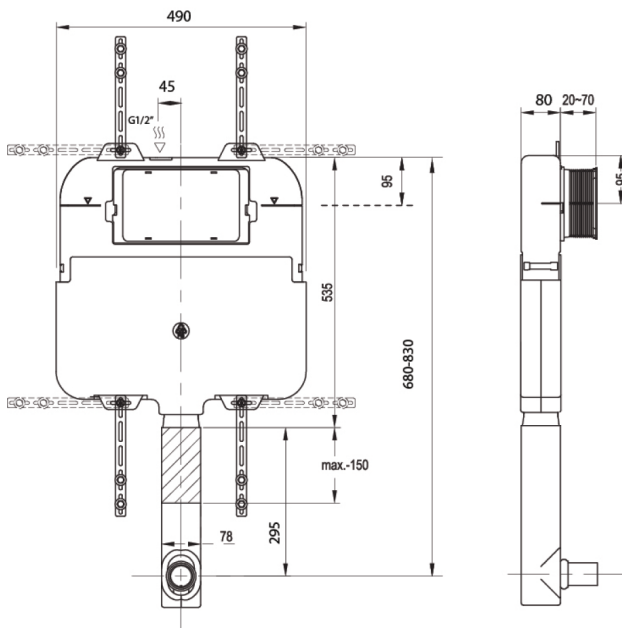
ARO4430

WELS: 4 star

Litres/min: 4.5 / 3

Inlet Position: Top left

Material: High density polyethylene



The slim concealed, dual flush cistern is made from high density polyethylene, incorporating inbuilt overflow. Due to its slim design, the cistern can be installed in a standard 90mm metal or timber stud wall application.

WARRANTY
10 years

*Conditions apply.

streamline