

Serie | 8, Built-in oven with added steam and microwave function, 60 x 60 cm, Carbon black HNG8764C7



The built-in oven with PerfectBake plus, PerfectRoast plus, microwave and added steam: displays in how many minutes perfect and crispy results are reached - even when time is short.

- **Microwave function:** for quick warming up or for fast cooking in combination with hot air.
- **PerfectBake plus:** the easy way to perfect baking results.
- **PerfectRoast plus:** precise measurement of core temperature for a perfect roast.
- **Added Steam Function:** by adding steam, foods turn out crispy on the outside and juicy on the inside.
- **4D HotAir:** even heat distribution for perfect results – on any level.

Technical Data

Type of micro-wave oven :	MW-Combi
Type of control :	Electronic
Cavity dimensions (mm) :	357.0 x 480 x 392.0
Length electrical supply cord (cm) :	120
Net weight (kg) :	50.189
Gross weight (kg) :	52.6
Approval certificates :	CE, VDE
Maximum micro-wave power (W) :	800
Number of power levels :	5
Turntable :	No
Cavity material :	Enamelled steel
Door opening :	Handle
Clock :	Yes
Included accessories :	1 x enamel baking tray, 1 x combination grid, 1 x universal pan
Main colour of product :	Carbon black
Height of the product (mm) :	595
Width of the appliance :	594
Depth of the product :	548
Maximum micro-wave power (W) :	800
Connection Rating (W) :	3600
Fuse protection (A) :	16
Voltage (V) :	220-240
Frequency (Hz) :	50; 60
Plug type :	Gardy plug w/ earthing
Approval certificates :	CE, VDE
Appliance Dimensions (h x w x d) (in) :	x x
Dimensions of the packed product (in) :	26.37 x 26.37 x 26.77
Net weight (lbs) :	111.000
Gross weight (lbs) :	116.000

Included accessories

- 1 x enamel baking tray
- 1 x combination grid
- 1 x universal pan

Optional accessories

HEZ327000 Pizza stone, HEZ531010 Baking tray, non-stick ceramic coated, HEZ532010 Universal pan, non-stick ceramic coated, HEZ617000 Pizza pan, anthracite enamelled, HEZ625071 Grill tray, anthracite enamelled, HEZ631070 Baking tray, anthracite enamelled, HEZ632070 Multipurpose pan, anthracite enamelled, HEZ633001 Lid for professional pan, enamelled anth, HEZ633070 , HEZ634080 Baking and roasting grid (microwave), HEZ635000 , HEZ636000 Glass pan, HEZ660050 , HEZ6BMA00 , HEZ915003 , HEZG0AS00



Serie | 8, Built-in oven with added steam and microwave function, 60 x 60 cm, Carbon black HNG8764C7

The built-in oven with PerfectBake plus, PerfectRoast plus, microwave and added steam: displays in how many minutes perfect and crispy results are reached - even when time is short.

Heating Functions

- Oven with microwave with 14 heating methods:
 - 4D HotAir
 - 4D HotAir Eco
 - Half width grill
 - Drying
 - Full width grill
 - Intensive heat
 - Top/bottom heating
 - Top/bottom heating Eco
 - Pizza setting
 - Slow cooking
 - Bottom heating
 - Hot air grilling
 - Preheat ovenware
 - Keep warm
- Additional heating methods with steam: Reheating, Dough Proving
- Additional heating methods with microwave: Pure microwave, Combination microwave and conventional oven
- Intelligent inverter technology: maximum output power will be regulated to 600 W when used in longer operation
- Temperature range 30 °C - 300 °C
- Cavity volume: 67 net usable litres

Hook-in racks / rails

- Number of shelf levels: 5 PC
- Telescopic rails: 1 level telescopic rail, pyrolytic proof

Design

- Bosch Control Ring
- Anthracite enamel cavity with 5 shelf positions

Cleaning

- Pyrolytic self-cleaning function
- Cleaning Assistance - cleaning option for light soiling

Convenience

- TFT Touch Graphic Display
- Electronic clock/timer with end time programming
- Automatic temperature proposal
 - Residual heat indicator
 - Actual temperature display
 - Meat probe function
- Drop down door, Oven door with SoftClose, SoftOpen
- Bar handle
- Bosch Assist - a menu of dishes for automatic cooking
- PerfectBake plus, PerfectRoast plus multipoint meat probe
- Rapid heating-up: automatic
- LED lighting, Multi-level LED lighting
- Large 1 litre water tank
- Water tank empty indicator
- Location of the steam generator is outside of the cavity
- Cooling fan
- HomeConnect ready

Accessories

- 1 x enamel baking tray, 1 x combination grid, 1 x universal pan

Safety and Environment

- Maximum door temperature 30° C
- Electronic door lock
 - Automatic door lock during pyrolysis
 - Child lock function
 - Automatic safety switch off function
 - Residual heat indicator
 - Start button
 - Door contact switch

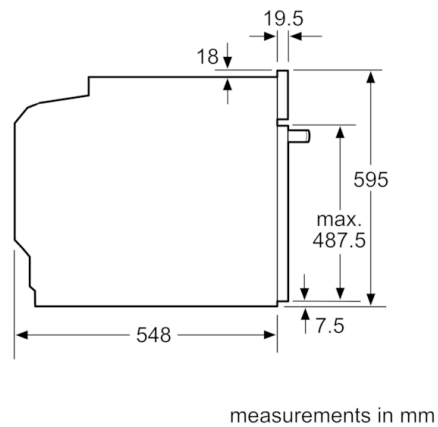
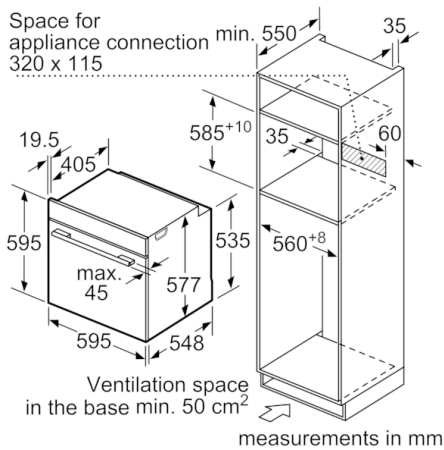
Technical Info

- Length of mains cable: 120 cm
- Nominal voltage: 220 - 240 V
- Total connected load electric: 3.6 KW

Dimensions

- Appliance dimensions (HxWxD): 595 mm x 594 mm x 548 mm
- Installation dimensions (HxWxD): 585 mm - 595 mm x 560 mm - 568 mm x 550 mm
- Please reference the built-in dimensions provided in the installation drawing

**Serie | 8, Built-in oven with added steam and microwave function, 60 x 60 cm, Carbon black
HNG8764C7**



If the appliance will be installed underneath a hob, the following worktop thicknesses (including substructure if necessary) must be taken into account.

Hob type	min. worktop thickness	
	fitted	flush
Induction hob	37 mm	38 mm
Full surface Induction hob	47 mm	48 mm
Gas hob	30 mm	38 mm
Electric hob	27 mm	30 mm

