

**Serie | 8, Built-in oven with added steam function, 60 x 60 cm
HRG8769C7**



Included accessories

1 x enamel baking tray
1 x combination grid
1 x universal pan

Optional accessories

HEZ327000 Pizza stone, HEZ530000 Half tray, HEZ531010 Baking tray, non-stick ceramic coated, HEZ532010 Universal pan, non-stick ceramic coated, HEZ617000 Pizza pan, anthracite enamelled, HEZ625071 Grill tray, anthracite enamelled, HEZ631070 Baking tray, anthracite enamelled, HEZ632070 Multipurpose pan, anthracite enamelled, HEZ633001 Lid for professional pan, enamelled anth, HEZ633070 , HEZ634000 Baking and roasting grid (standard), HEZ635000 , HEZ636000 Glass pan, HEZ660050 , HEZ6BMA00 , HEZ915003 , HEZG0AS00

The built-in oven with PerfectBake plus, PerfectRoast plus and added steam: your dishes come out automatically perfect and crispy on the outside, juicy on the inside.

- **PerfectBake plus:** the easy way to perfect baking results.
- **PerfectRoast plus:** precise measurement of core temperature for a perfect roast.
- **Added Steam Function:** by adding steam, foods turn out crispy on the outside and juicy on the inside.
- **4D HotAir:** even heat distribution for perfect results – on any level.
- **Bosch Assist:** automatic setting of the optimal type of heat, temperature and time for countless dishes.

Technical Data

Built-in / Free-standing :	Built-in
Required niche size for installation (HxWxD) :	585-595 x 560-568 x 550
Dimensions :	595 x 594 x 548
Dimensions of the packed product (HxWxD) (mm) :	675 x 690 x 660
Control Panel Material :	Glass
Door Material :	Glass
Net weight (kg) :	44.040
Usable volume of cavity (l) :	71
Cooking method :	Bottom heat, Conventional heat, Defrost, Dehydrate, Full width grill, Half width grill, Hot Air-Eco, Hot air grilling, Intensive heat, low temperature cooking, Pizza setting, pre-heating, warming
Number of interior lights :	1
Approval certificates :	CE, VDE
Length electrical supply cord (cm) :	120
Interior Lights - cavity 1 :	1
Pull-out system :	3-level
Clock function :	Alarm, Off, On
Included accessories :	1 x enamel baking tray, 1 x combination grid, 1 x universal pan
Broil Element Wattages cavity 1 (W) :	2800
Convection Element Wattages cavity 1 (W) :	2200
Energy efficiency rating :	A
Energy consumption per cycle conventional (2010/30/EC) :	0.90
Energy consumption per cycle forced air convection (2010/30/EC) :	0.74
Energy efficiency index (2010/30/EC) :	87.1
Connection Rating (W) :	3600
Current (A) :	16
Voltage (V) :	220-240
Frequency (Hz) :	50; 60
Plug type :	Gardy plug w/ earthing
Energy input :	Electric
Approval certificates :	CE, VDE
Required cutout/niche size for installation (in) :	x x
Dimensions of the packed product (in) :	26.57 x 25.98 x 27.16
Net weight (lbs) :	97.000
Gross weight (lbs) :	102.000
Length electrical supply cord (cm) :	120
Net weight (kg) :	44.040
Gross weight (kg) :	46.4



Serie | 8, Built-in oven with added steam function, 60 x 60 cm HRG8769C7

The built-in oven with PerfectBake plus, PerfectRoast plus and added steam: your dishes come out automatically perfect and crispy on the outside, juicy on the inside.

Heating Functions

- Oven with 15 heating methods:
 - 4D HotAir
 - Defrost
 - Drying
 - Full width grill
 - 4D HotAir Eco
 - Intensive heat
 - Half width grill
 - Top/bottom heating
 - Top/bottom heating Eco
 - Pizza setting
 - Slow cooking
 - Bottom heating
 - Hot air grilling
 - Preheat ovenware
 - Keep warm
- Additional heating methods with steam: Reheating, Dough Proving
- Temperature range 30 °C - 300 °C
- Cavity volume: 71 net usable litres

Hook-in racks / rails

- Number of shelf levels: 5 PC
- Telescopic rails: 3-level telescopic rails, fully extendable, safety stop function, pyrolytic proof

Design

- Bosch Control Ring
- Anthracite enamel cavity with 5 shelf positions

Cleaning

- 3 Stage pyrolytic cleaning
- Cleaning Assistance - cleaning option for light soiling
- Full glass inner door

Convenience

- TFT Touch Graphic Display
- Electronic clock/timer with end time programming
- Automatic temperature proposal
 - Residual heat indicator
 - Actual temperature display
 - Sabbath mode
- Additional functions:
 - Descaling programme
 - drying function
- Drop down door, Oven door with SoftClose, SoftOpen
- Bar handle
- Bosch Assist - a menu of dishes for automatic cooking
- PerfectBake plus, PerfectRoast plus
- Rapid heating-up: automatic
- Halogen lighting
- Large 1 litre water tank
- Water tank empty indicator
- Location of the steam generator is outside of the cavity
- Cooling fan
- HomeConnect ready

Accessories

- 1 x enamel baking tray, 1 x combination grid, 1 x universal pan

Safety and Environment

- Maximum door temperature 30° C
- Low door temperature during pyrolytic cleaning
- Electronic door lock
 - Child lock function
 - Automatic safety switch off function
 - Residual heat indicator
 - Start button
 - Door contact switch

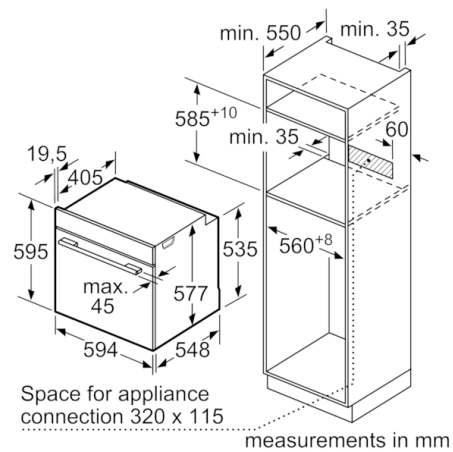
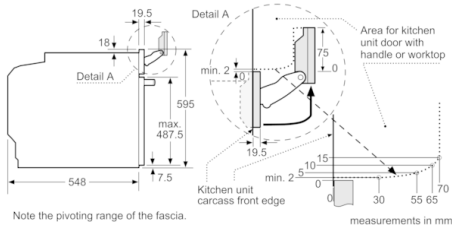
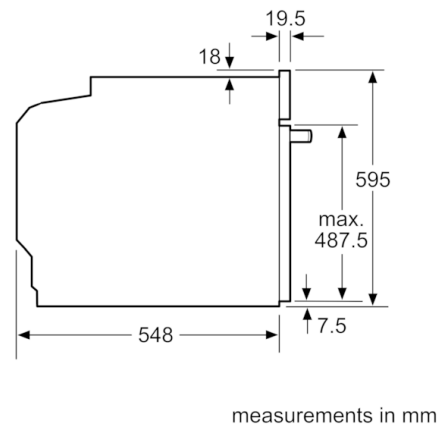
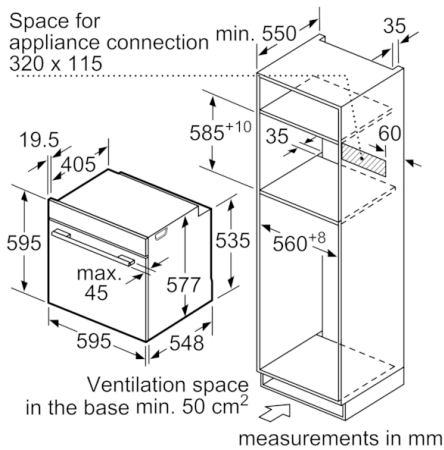
Technical Info

- Length of mains cable: 120 cm
- Nominal voltage: 220 - 240 V
- Total connected load electric: 3.6 KW

Dimensions

- Appliance dimensions (HxWxD): 595 mm x 594 mm x 548 mm
- Installation dimensions (HxWxD): 585 mm - 595 mm x 560 mm - 568 mm x 550 mm
- Please reference the built-in dimensions provided in the installation drawing

**Serie | 8, Built-in oven with added steam function, 60 x 60 cm
HRG8769C7**



If the appliance will be installed underneath a hob, the following worktop thicknesses (including substructure if necessary) must be taken into account.

Hob type	min. worktop thickness	
	fitted	flush
Induction hob	37 mm	38 mm
Full surface Induction hob	47 mm	48 mm
Gas hob	30 mm	38 mm
Electric hob	27 mm	30 mm

