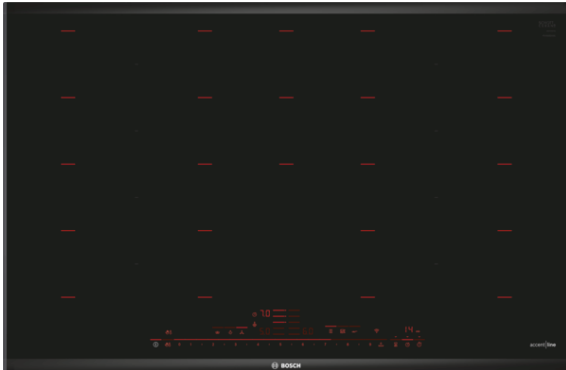


Serie | 8, Induction hob, 80 cm, Black PXY898DX6E



Included accessories

- 1 x adjustment strip 750 - 780 mm
- 1 x wireless temperature sensor for cooktop

The induction cooktop with PerfectCook and PerfectFry: achieve optimal results thanks to automatic temperature control.

- **Illuminated cooking zone:** For a better visibility, those zones that are in use, are highlighted by LED-illumination.
- **DirectSelect Premium:** Direct, simple selection of the desired cooking zone, power and additional functions.
- **Expanded FlexInduction Zone:** Even more flexibility by connecting the cooking zones into one big zone, which you can make even larger for the big pots.
- **PerfectCook:** Prevents overcooking and boiling over by precise controlling the cooking temperature.
- **PerfectFry:** For perfect browning of roasted foods thanks to sensor control with 5 power levels.

Technical Data

Product name/family :	Cooking zone ceramic
Construction type :	Built-in
Energy input :	Electric
Total number of positions that can be used at the same time :	4
Required niche size for installation (HxWxD) :	51 x 750-780 x 490-500
Width of the appliance :	816
Dimensions :	51 x 816 x 527
Dimensions of the packed product (HxWxD) (mm) :	120 x 950 x 600
Net weight (kg) :	18.940
Gross weight (kg) :	19.8
Residual heat indicator :	Separate
Location of control panel :	Hob front
Basic surface material :	Ceramic
Color of surface :	Black
Approval certificates :	AENOR, CE
Length electrical supply cord (cm) :	110
Sealed Burners :	No
heating with booster :	All
Power of 2nd heating element (kW) :	3.3
Power of heating element (kW in boost) :	[3.7]
:	3.7
Power of 6th heating element (kW in boost) :	3.7
Connection Rating (W) :	7400
Voltage (V) :	220-240
Frequency (Hz) :	50; 60
Main colour of product :	Black
Energy input :	Electric
Approval certificates :	AENOR, CE
Plug type :	no plug
Appliance Dimensions (h x w x d) (in) :	+ x x
Dimensions of the packed product (in) :	4.72 x 23.62 x 37.40
Net weight (lbs) :	42.000
Gross weight (lbs) :	44.000
Total number of positions that can be used at the same time :	4
Length electrical supply cord (cm) :	110
Required niche size for installation (HxWxD) :	51 x 750-780 x 490-500
Dimensions :	51 x 816 x 527
Dimensions of the packed product (HxWxD) (mm) :	120 x 950 x 600
Net weight (kg) :	18.940
Gross weight (kg) :	19.8



Serie | 8, Induction hob, 80 cm, Black PXY898DX6E

The induction cooktop with PerfectCook and PerfectFry: achieve optimal results thanks to automatic temperature control.

- 80 cm: space for 4 pots or pans.

Flexibility of cooking zones

- 2 Flex zones + extended Flex zone: use cookware of any shape or size anywhere within the 40cm long zone or even place it laterally.
- Cooking zone front left: 200 mm, 230 mm, 2.2 KW (max. power 3.7 KW)
- Cooking zone rear left: 200 mm, 230 mm, 2.2 KW (max. power 3.7 KW)
- Cooking zone rear right: 200 mm, 230 mm, 2.2 KW (max. power 3.7 KW)
- Cooking zone front right: 200 mm, 230 mm, 2.2 KW (max. power 3.7 KW)

Usage convenience

- Direct Select Premium Touch Control: directly control the power on the extra large illuminated touch bar (invisible when switched off).
- 17 power levels for each cooking zone: precisely adapt the heat with 17 power levels (9 main levels and 8 intermediate levels).
- Keep warm function - low setting for keeping food warm at the touch of a button: keep dishes warm at preset low power level.
- Timer with automatic switch off for all zones
 - : switches off the cooking zone at the end of the time set (e.g. for boiled eggs).
- Alarm
 - : an alarm sounds at the end of the time set (e.g. for pasta).
- Count-up timer
 - : shows how much time has passed since starting the timer (e.g. for potatoes).

Time saving & efficiency

- PowerBoost function - reduce the time to heat up large quantities of water
 - : boil water more quickly thanks to 50% more energy than at the highest standard level.
- ShortBoost function - reduce the time to heat up pans: heat up pans more quickly than at the highest standard level while protecting the pan coating.
- Cooking zones will be automatically joined or separated based on the shape and size of the cookware placed.
- Move Mode - 3 Automatic Power Levels: increase or decrease the power level simply by moving the pot forwards or backwards.
- PowerTransfer: when moving a pot to a different cooking zone, transfer all previous settings to the new zone at the touch of a button.
- QuickStart - Quick and automatic first pot detection: when switching on, the cooktop automatically selects the cooking zone with cookware (placed in off-mode).
- ReStart - Quickly reinstates previous settings: in case of unintentional switch-off, restore all previous settings by switching on the cooktop again within 4 seconds.

Cooking assistance

- cookingSensor Plus: prevents overboiling of pots with the automatic temperature regulation of the pot-attached sensor.
- PerfectFry Sensor with 5 frying levels: prevents scorching with the automatic temperature regulation of the integrated sensor.
- Dish assistant: easily find the right temperature setting for a certain dish via the home connect app.

Connectivity

- Remote Monitoring and Control: check if the cooktop is switched off even when not at home, and find recipes or additional functions in the Home Connect app.
- cook2hood control (with matching hood): automatically activates the rangehood when cooking, thanks to the WiFi connection of cooktop and suitable rangehood.

Design

- AccentLine, perfect for island installation, black anodized
- Zone light red : when off, hob is completely black; when switched on, light elements appear to indicate cooking zones and residual heat

Safety

- Digital 2-stage residual heat indicator: indicates which cooking zones are still hot or warm.
- Childproof lock: prevent unintended activation of the cooktop.
- WipeProtection: wipe overboiled liquids without unintentionally changing settings (blocking all touch buttons for 30 seconds).
- Main switch: switch off all cooking zones at the touch of a button.
- Automatic safety switch-off: for safety reasons, heating stops after a preset time without interaction (customizable).
- Energy consumption display: shows the electricity consumption of the last cooking process.

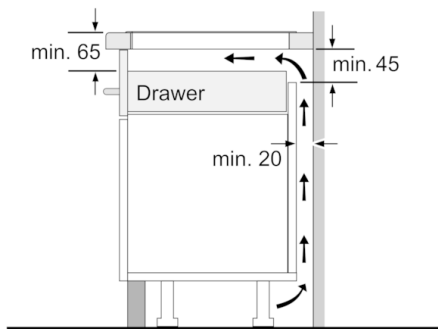
Installation

- Dimensions of the product (HxWxD mm): 51 x 816 x 527
- Required niche size for installation (HxWxD mm) : 51 x 750 x (490 - 500)
- Min. worktop thickness: 16 mm
- Connected load: 7.4 KW
- PowerManagement Function: limit the maximum power if needed (depends on fuse protection of electric installation).
- Power cord: 1.1 m, Cable included

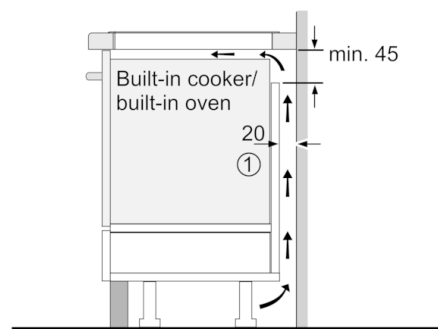
Accessories

- adjustment strip 750 - 780 mm, wireless temperature sensor for cooktop included

Serie | 8, Induction hob, 80 cm, Black PXY898DX6E

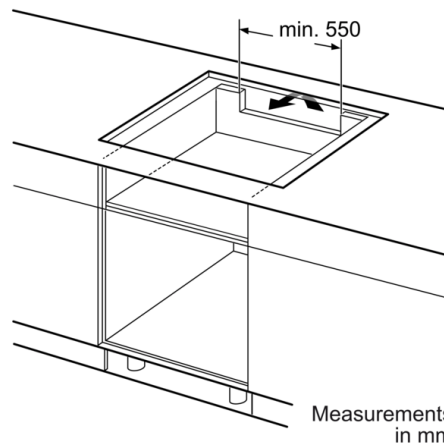
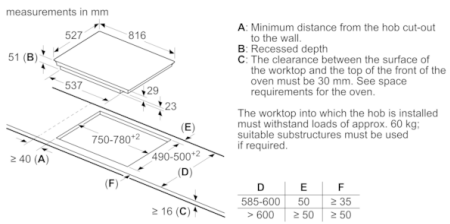


Measurements in mm



①
Ventilation gap must
be present

All measurements in mm



Measurements
in mm