

**Serie | 8, fully-integrated dishwasher,
60 cm, XXL
SBT8ZD801A**



Optional accessories

SGZ1010 :
 SMZ2014 :
 SMZ5001 : Baby care kit
 SMZ5015 : Compensating panels, stainless steel 86
 SMZ5045 :
 SMZ5150AU : Kick panel stainless steel
 SMZ5300 :

**XXL TallTub dishwasher with PerfectDry
for optimal drying results and Extra Space
basket for additional loading capacity**

- **Max Flex Pro baskets:** highest flexibility and protection for your dishes, with superior sliding performance.
- **Rackmatic:** top basket adjustable on three levels offers additional space, especially for tall dishes.
- **Extra Space 3rd basket:** additional top rack providing more loading space for small kitchen items.
- **Silence Plus:** remarkably quiet at 42dB.
- **Home Connect:** home appliances with smart connectivity for an easier everyday life.

Technical Data

Water consumption (l) :	11.5
Total annual energy consumption (kWh) 220 days :	128
Total annual water consumption (l) 220 days :	2530
Built-in / Free-standing :	Built-in
Removable top :	No
Door panel options :	Not possible
Height of removable worktop (mm) :	0
Height of the product (mm) :	865
Adjustable feet :	Yes - all from front
Maximum adjustability feet (mm) :	60
Net weight (kg) :	43.264
Gross weight (kg) :	45.5
Connection Rating (W) :	2400
Current (A) :	10
Voltage (V) :	220-240
Frequency (Hz) :	50; 60
Length electrical supply cord (cm) :	175
Plug type :	AU plug
Length inlet hose (cm) :	165
Length outlet hose (cm) :	190
Hidden heating element :	Yes
Water protection system description :	
Triple water protection :	24h
Child safety devices :	Yes
Water softener (permanently deactivated/disabled) :	Yes
Top basket type :	R4
Adjustable upper basket :	Rackmatic 3-stage
Cup Shelf :	2
3rd Rack :	3. Rack 2.0
Cutlery Basket :	Standard
Optional accessories :	SGZ1010, SMZ2014, SMZ5001, SMZ5015, SMZ5045, SMZ5150AU, SMZ5300
Included accessories 2 :	baking- sheet spray head grey, s/s decorative strips, vapor barrier plate
Number of place settings :	14
Color / Material panel :	Grey
Dimensions of the product (HxWxD) :	865 x 598 x 550
Dimensions of the packed product (HxWxD) (mm) :	880 x 670 x 660



Serie | 8, fully-integrated dishwasher, 60 cm, XXL SBT8ZD801A

XXL TallTub dishwasher with PerfectDry for optimal drying results and Extra Space basket for additional loading capacity

Capacity

- 14 place settings

Consumption rates

- 4 Star energy rating, 5 Star WELS water rating
- 11.5 litres water consumption per wash and 215 kWh energy consumption per year, based on the Eco AU 45 °C program with a cold water connection

Design

- Stainless steel interior tub
- High definition TFT display screen
- Basket system with red coloured touchpoints provides total flexibility for all loading requirements
- SoftTouch buttons: Electronic soft-touch activated buttons
- EmotionLight: Internal lighting for increased visibility
- Hidden control buttons integrated into the top of the door
- Gap Illumination: The gap between the dishwasher door and kitchen cabinetry (upper left) discreetly glows when the dishwasher is in operation
- Vario Hinge: The door hinge allows the decorative door panel to slide upwards while opening, allowing for reduced plinth height (minimum 5cm)

Wash Programs and Options

- 8 Programmes:
 - Eco Wash : Energy efficient wash & dry. Mixed loads & soil levels,
 - Auto Intensive: for pots & pans and baked-on food & grease.,
 - Auto wash: Wash & dry program for mixed loads and soil levels,
 - Auto Gentle: Automatic wash & dry program for delicate and lightly soiled dishes,
 - Short wash: quick wash & dry. Mixed loads & soil levels.,
 - Express wash: Wash only for lightly soiled dishes,
 - ExtraQuiet: extended quiet wash & dry program for mixed loads & soil levels,
 - Favourite: set or download your favourite combination
- 5 special options:
 - Remote Start: allows remote control and monitoring via HomeConnect,
 - Extra Dry: Provides an even better drying result by extending the drying time,
 - Intensive Zone: Intensive wash for items in the bottom basket,
 - HygienePlus: Reduces bacteria from utensils & crockery,
 - Speedperfect: reduce wash time even after cycle has started
- Machine care: maintains your dishwasher's optimum performance and hygiene Option
- Silence on Demand (via app)

Performance

- Zeolith® Drying Technology: Unique ground-breaking technology absorbs water molecules to dry dishes quicker with ultimate energy efficiency
- Very quiet operation - 42 dB
- hydroDry heat exchanger assists with condensation to help dry dishes
- Aqua and load sensor for water and energy efficiency
- DosageAssist™: Maximises the effectiveness of detergent tablets. The tablet is dropped into a specially engineered tray and is completely dissolved. For superior cleaning performance and a quieter wash.
- EcoSilence Drive® quiet and energy-efficient brushless motor (BLDC)
 - BLDC Main Pump: Variable water & spray pressure to achieve optimum cleaning results
 - BLDC Drain Pump: Fast and extra quiet draining of water, no gargling sounds
- Extra Clean Zone: Provides an even better cleaning result for items placed directly over the three rotating nozzles in the top basket
- 3 stage self-cleaning filter system: design that helps reduce the need to wash the filter and prevents blockages
- AutoBrilliance™: Automatic detergent and rinse aid sensor
- 5 Spray levels for maximum water contact and optimum wash results

Flexibility

- Extra space 3rd rack for odd shaped items, bowls, mugs and large utensils
- RackmaticPlus™: 3-stage top basket can be adjusted to three height levels to maximise convenience
- Ball bearing on all levels
- Anti-slip protection strips in upper rack
- Rack Stopper to prevent derailing of bottom basket
- 6 foldable plate racks in top basket
- 8 foldable plate racks in bottom basket
- Removable knife shelf in 3rd basket
- Moveable cutlery basket in lower basket
- 2 foldable cup shelves with soft silicone edges in top basket
- Glass rack in lower basket for tall stemmed glasses

Convenience

- Time delay start: Delay program start time by 1-24 hours to suit your schedule
- DoorOpen Assist - a push to open door system, perfect for handleless kitchens
- HomeConnect via WiFi Connectivity
- Audible program end
- Large item spray head: For washing extra large items such as baking trays, Vapour barrier protection plate

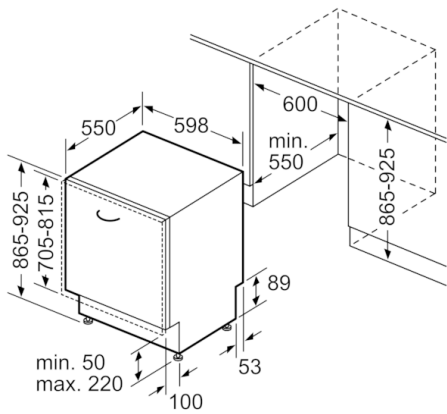
Safety

- AquaStop™ Plus: Water supply device with lifetime anti-flood protection
- Child-proof door lock (double push to open)

Product Dimensions (H x W x D)

- Height 865-925 x Width 598 mm x Depth 550 mm

**Serie | 8, fully-integrated dishwasher, 60 cm,
XXL
SBT8ZD801A**



measurements in mm

