

**Serie | 8, Built-in compact oven with microwave function, 60 x 45 cm, Carbon black  
CMG8764C7**



**Included accessories**

1 x combination grid  
1 x universal pan

**Optional accessories**

HEZ327000 Pizza stone, HEZ617000 Pizza pan, anthracite enamelled, HEZ625071 Grill tray, anthracite enamelled, HEZ631070 Baking tray, anthracite enamelled, HEZ632070 Multipurpose pan, anthracite enamelled, HEZ634080 Baking and roasting grid (microwave), HEZ636000 Glass pan, HEZ660050 , HEZ660060 Strip, HEZ6BMA00 , HEZ915003 , HEZG0AS00 , HZ531010 , HZ532010

**The Compact Combination Microwave Oven with Pyrolytic self cleaning and 1-level telescopic rails.**

- **Microwave function:** for quick warming up or for fast cooking in combination with hot air.
- **TFT touchscreen control:** easy-to-use thanks to the control ring with full text and colour images.
- **PerfectBake plus:** the easy way to perfect baking results.
- **PerfectRoast plus:** precise measurement of core temperature for a perfect roast.
- **4D hotair:** even heat distribution for perfect results.

**Technical Data**

Type of micro-wave oven :	MW-Combi
Type of control :	Electronic
Dimensions :	455 x 594 x 548
Cavity dimensions (mm) :	237.0 x 480 x 392.0
Length electrical supply cord (cm) :	150
Net weight (kg) :	36.927
Gross weight (kg) :	39.2
Maximum micro-wave power (W) :	900
Number of Power Levels :	5
Turntable :	No
Cavity material :	Enamelled steel
Door opening :	Handle
Clock :	Yes
Included accessories :	1 x combination grid, 1 x universal pan
Main colour of product :	Carbon black
Height of the product (mm) :	455
Width of the appliance :	594
Depth of the product :	548
Maximum micro-wave power (W) :	900
Connection Rating (W) :	3600
Current (A) :	16
Voltage (V) :	220-240
Frequency (Hz) :	50; 60
Plug type :	Gardy plug w/ earthing
Approval certificates :	CE, VDE
Appliance Dimensions (h x w x d) (in) :	x x
Dimensions of the packed product (in) :	20.86 x 25.98 x 26.77
Net weight (lbs) :	81.000
Gross weight (lbs) :	86.000



## Serie | 8, Built-in compact oven with microwave function, 60 x 45 cm, Carbon black CMG8764C7

### The Compact Combination Microwave Oven with Pyrolytic self cleaning and 1-level telescopic rails.

#### Heating Functions

- Compact oven with microwave with 12 heating methods:
  - 4D HotAir
  - Full width grill
  - 4D HotAir Eco
  - Half width grill
  - Top/bottom heating
  - Top/bottom heating Eco
  - Pizza setting
  - Slow cooking
  - Bottom heating
  - Hot air grilling
  - Preheat ovenware
  - Keep warm
- Additional heating methods with microwave: Pure microwave, Combination microwave and conventional oven
- Intelligent inverter technology: maximum output power will be regulated to 600 W when used in longer operation
- Max. Power: 900 W; 5 Microwave power settings (90 W,180 W,360 W,600 W,900 W) with Inverter (MW)
- Temperature range 30 °C - 300 °C
- Cavity volume: 45 net usable litres

#### Hook-in racks / rails

- Number of shelf levels: 3 PC
- Telescopic rails: 1 level telescopic rail, pyrolytic proof

#### Design

- Bosch Control Ring
- Anthracite enamel cavity with 3 shelf positions

#### Cleaning

- 3 Stage pyrolytic cleaning
- Cleaning Assistance - cleaning option for light soiling

#### Convenience

- TFT Touch Graphic Display
- Electronic clock/timer with end time programming
- Automatic temperature proposal
  - Residual heat indicator
  - Actual temperature display
  - Sabbath mode
- Drop down door, Oven door with SoftClose, SoftOpen
- Bar handle
- Bosch Assist - a menu of dishes for automatic cooking
- PerfectBake plus, PerfectRoast plus
- Rapid heating-up: automatic
- LED lighting
- Cooling fan
- HomeConnect ready

#### Accessories

- 1 x combination grid, 1 x universal pan

#### Safety and Environment

- Maximum door temperature 30° C
- Electronic door lock
  - Automatic door lock during pyrolysis
  - Child lock function
  - Automatic safety switch off function
  - Residual heat indicator
  - Start button
  - Door contact switch

#### Technical Info

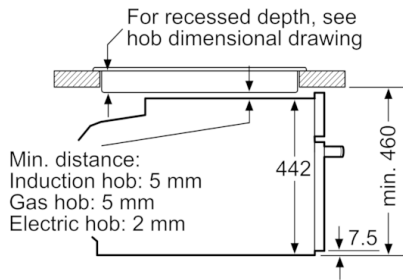
- Length of mains cable: 150 cm
- Nominal voltage: 220 - 240 V
- Total connected load electric: 3.6 KW

#### Dimensions

- Appliance dimensions (HxWxD): 455 mm x 594 mm x 548 mm
- Installation dimensions (HxWxD): 450 mm - 455 mm x 560 mm - 568 mm x 550 mm
- Please reference the built-in dimensions provided in the installation drawing

**Serie | 8, Built-in compact oven with microwave function, 60 x 45 cm, Carbon black  
CMG8764C7**

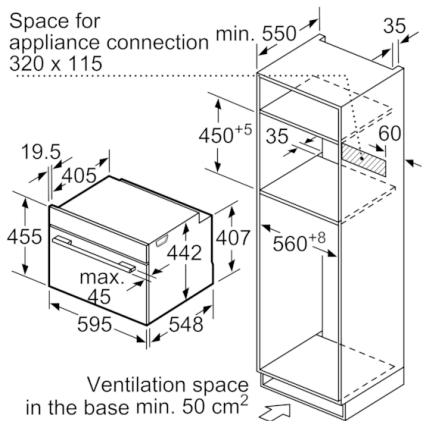
Installation with a hob.



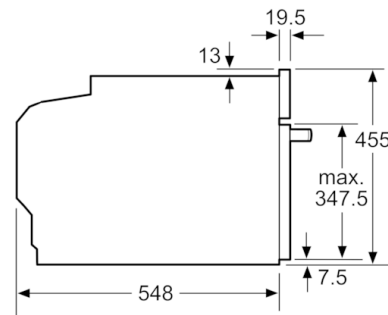
measurements in mm

If the compact appliance will be installed underneath a hob, the following worktop thicknesses (including substructure if necessary) must be taken into account.

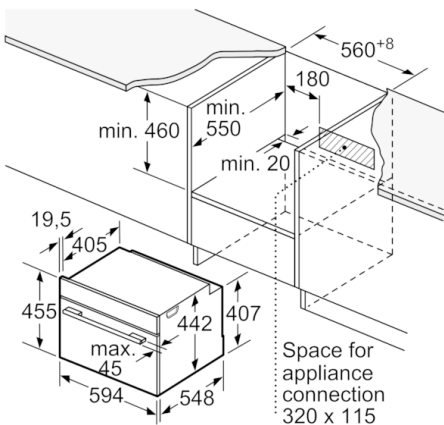
Hob type	min. worktop thickness	
	fitted	flush
Induction hob	42 mm	43 mm
Full surface Induction hob	52 mm	53 mm
Gas hob	32 mm	43 mm
Electric hob	32 mm	35 mm



measurements in mm



measurements in mm



measurements in mm