

Serie | 8, Built-in oven with steam function, 60 x 60 cm, Carbon black HSG856XC7



Included accessories

1 x enamel baking tray, 1 x grid, 1 x universal pan, 1 x steam container, punched, size S, 1 x steam container, punched, size XL, 1 x steam container, unpunched, size S, 1 x sponge

Optional accessories

HEZ36D163 , HEZ36D163G , HEZ530000 Half tray, HEZ531010 Baking tray, non-stick ceramic coated, HEZ532010 Universal pan, non-stick ceramic coated, HEZ617000 Pizza pan, anthracite enamelled, HEZ625071 Grill tray, anthracite enamelled, HEZ631070 Baking tray, anthracite enamelled, HEZ632070 Multipurpose pan, anthracite enamelled, HEZ633001 Lid for professional pan, enamelled anth, HEZ633070 , HEZ635000 , HEZ636000 Glass pan, HEZ660050 , HEZ664000 , HEZ66D910 , HEZ66D920 , HEZ6BMA00 , HEZ915003 , HEZG0AS00

The built-in oven with PerfectBake plus, PerfectRoast plus and FullSteam: for moist steam baking and gentle steaming and displaying in how many minutes perfect results are reached automatically.

- **Steam function with sous-vide:** for gentle, healthy food preparation that keeps food juicy throughout.
- **PerfectBake plus:** the easy way to perfect baking results.
- **PerfectRoast plus:** precise measurement of core temperature for a perfect roast.
- **4D HotAir:** even heat distribution for perfect results – on any level.
- **TFT touchscreen control:** easy-to-use thanks to the control ring with full text and colour images.

Technical Data

Built-in / Free-standing :	Built-in
Door opening :	Drop down
Required niche size for installation (HxWxD) :	585-595 x 560-568 x 550
Dimensions :	595 x 594 x 548
Dimensions of the packed product (HxWxD) (mm) :	660 x 660 x 690
Control Panel Material :	Glass
Door Material :	Glass
Net weight (kg) :	43.239
Approval certificates :	CE, VDE
Length electrical supply cord (cm) :	120
Cooking method :	, , Bottom heat, Conventional heat, Defrost, Full width grill, Half width grill, Hot Air-Eco, Hot air grilling, low temperature cooking, Pizza setting, pre-heating, Regeneration, Steam 100%, warming
Current (A) :	16
Voltage (V) :	220-240
Frequency (Hz) :	50; 60
Plug type :	Gardy plug w/ earthing
Approval certificates :	CE, VDE
Energy input :	Electric
Current (A) :	16
Voltage (V) :	220-240
Frequency (Hz) :	50; 60
Approval certificates :	CE, VDE
Plug type :	Gardy plug w/ earthing
Net weight (lbs) :	95.000
Gross weight (lbs) :	101.000



**Serie | 8, Built-in oven with steam function,
60 x 60 cm, Carbon black
HSG856XC7**

**The built-in oven with PerfectBake plus,
PerfectRoast plus and FullSteam: for moist
steam baking and gentle steaming and
displaying in how many minutes perfect
results are reached automatically.**

Heating Functions

- Combi-steam oven with 12 heating methods:
 - 4D HotAir
 - Full width grill
 - 4D HotAir Eco
 - Half width grill
 - Top/bottom heating
 - Top/bottom heating Eco
 - Pizza setting
 - Slow cooking
 - Bottom heating
 - Hot air grilling
 - Preheat ovenware
 - Keep warm
- Temperature range 30 °C - 250 °C
- Cavity volume: 71 net usable litres

Hook-in racks / rails

- Number of shelf levels: 5 PC
- Telescopic rails: 3-level telescopic rails, fully extendable, safety stop function

Design

- Bosch Control Ring
- Anthracite enamel cavity with 5 shelf positions

Cleaning

- EcoClean Direct : ceiling, back panel, side liners
- EcoClean Direct automatic prompt for cleaning function
- Cleaning Assistance - cleaning option for light soiling

Convenience

- TFT Touch Graphic Display
- Electronic clock/timer with end time programming
- Automatic temperature proposal
 - Residual heat indicator
 - Actual temperature display
 - Meat probe function
- Additional functions:
 - Descaling programme
 - drying function
- Drop down door, Oven door with SoftClose, SoftOpen
- Bar handle
- Bosch Assist - a menu of dishes for automatic cooking
- PerfectBake plus, PerfectRoast plus
- Rapid heating-up: automatic
- LED lighting
- Water tank empty indicator
- Location of the steam generator is outside of the cavity
- Cooling fan
- HomeConnect ready

Accessories

- 1 x enamel baking tray, 1 x grid, 1 x sponge, 1 x steam container, punched, size S, 1 x steam container, punched, size XL, 1 x steam container, unpunched, size S, 1 x universal pan

Safety and Environment

- Maximum door temperature 40° C
- Automatic door lock during pyrolysis
 - Child lock function
 - Automatic safety switch off function
 - Residual heat indicator
 - Start button
 - Door contact switch

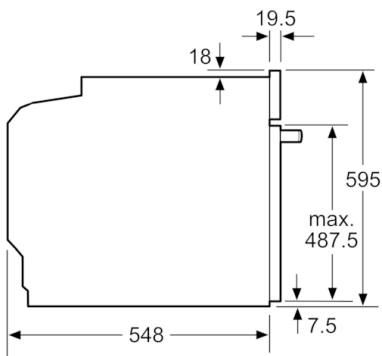
Technical Info

- Length of mains cable: 120 cm
- Nominal voltage: 220 - 240 V
- Total connected load electric: 3.6 KW

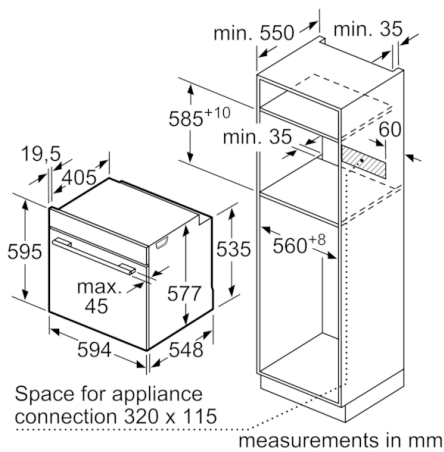
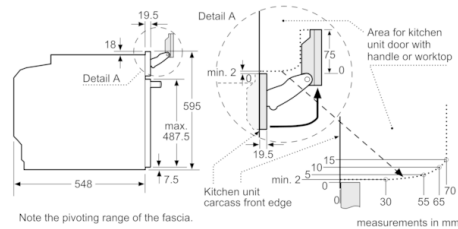
Dimensions

- Appliance dimensions (HxWxD): 595 mm x 594 mm x 548 mm
- Installation dimensions (HxWxD): 585 mm - 595 mm x 560 mm - 568 mm x 550 mm
- Please reference the built-in dimensions provided in the installation drawing

**Serie | 8, Built-in oven with steam function,
60 x 60 cm, Carbon black
HSG856XC7**



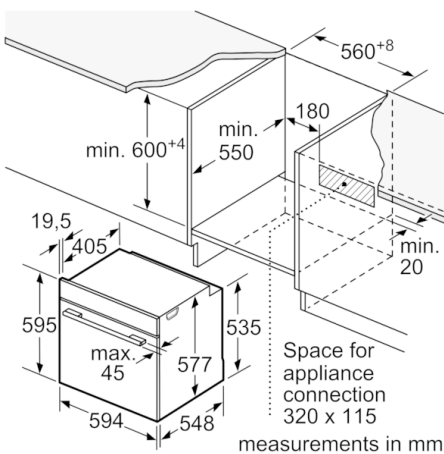
measurements in mm



measurements in mm

If the appliance will be installed underneath a hob, the following worktop thicknesses (including substructure if necessary) must be taken into account.

Hob type	min. worktop thickness	
	fitted	flush
Induction hob	37 mm	38 mm
Full surface Induction hob	47 mm	48 mm
Gas hob	30 mm	38 mm
Electric hob	27 mm	30 mm



measurements in mm