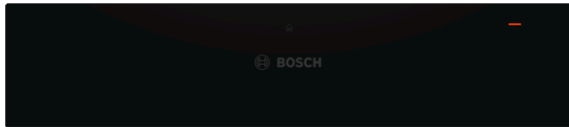


Serie | 8, Built-in warming drawer, 14 cm
BIC830NC0



The multifunctional warming drawer for the 14 cm niche: for pre-heating crockery, keeping food warm, defrosting and slow cooking.

- **Push-pull mechanism:** easy opening and closing thanks to a practical spring mechanism.
- **Cleaning convenience:** easy-to-clean hotplate made of tempered glass.

Technical Data

Built-in / Free-standing :	Built-in
Maximum number of plates :	12
Maximum number of espresso cups :	64
Dimensions :	140 x 594 x 548
Dimensions of the packed product (HxWxD) (mm) :	210 x 660 x 660
Required niche size for installation (HxWxD) :	140 x 560 x 550
:	0.810
Electrical connection rating (W) :	810
Current (A) :	10
Voltage (V) :	220-240
Frequency (Hz) :	50; 60
Plug type :	Gardy plug w/ earthing
Approval certificates :	
Australia Standards, CE, Eurasian, Ukraine, VDE	
Required cutout/niche size for installation (in) :	x x
Appliance Dimensions (h x w x d) (in) :	x x
Dimensions of the packed product (in) :	8.26 x 25.98 x 25.98
Net weight (lbs) :	36.000
Gross weight (lbs) :	39.000
Length electrical supply cord (cm) :	150
Required niche size for installation (HxWxD) :	140 x 560 x 550
Dimensions :	140 x 594 x 548
Dimensions of the packed product (HxWxD) (mm) :	210 x 660 x 660
Net weight (kg) :	16.440
Gross weight (kg) :	17.6

Optional accessories

HEZG9AS00S :



Serie | 8, Built-in warming drawer, 14 cm BIC830NC0

The multifunctional warming drawer for the 14 cm niche: for pre-heating crockery, keeping food warm, defrosting and slow cooking.

Design

Convenience

- Rotary control knobs
- User-friendly electronics: extremely easy and comfortable operation
- Heating plate made of toughened glass
- Cavity volume: 20 l usable litres
- Max weight up to 25 kg
- Max. loading espresso cups: 64 PC or Max. loading plates: 12 PC
- Suitable for: Pre-warming of crockery, Keeping drinks and food warm, Dough proving, Defrosting, Slow cooking
- Temperature control with 4 levels: 40 °C - 80 °C (glass surface temperature)
- Handleless push&pull opening mechanism

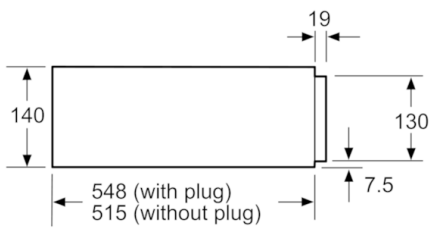
Technical Info

- Length of mains cable: 150 cm
- Total connected load electric: 0.81 KW
- Nominal voltage: 220 - 240 V

Dimensions

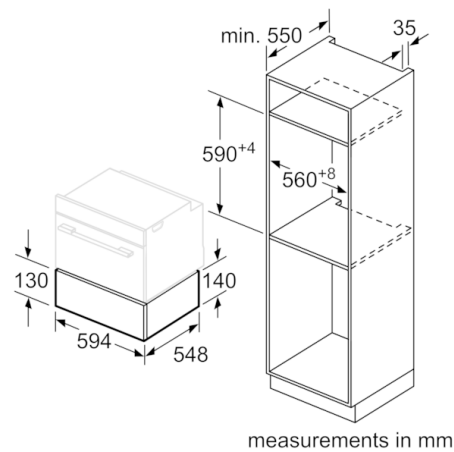
- Appliance dimensions (HxWxD): 140 mm x 594 mm x 548 mm
- Installation dimensions (HxWxD): 140 mm x 560 mm - 568 mm x 550 mm
- Please reference the built-in dimensions provided in the installation drawing

Serie | 8, Built-in warming drawer, 14 cm BIC830NC0



Compact ovens with an appliance height of 455 mm can be installed above a warming drawer. An intermediate floor is not required.

measurements in mm



measurements in mm