



Keeping food waste out of landfill since 1938

PRODUCT SPEC SHEET

Evolution 250 Food Waste Disposer



The premium range of food waste disposers



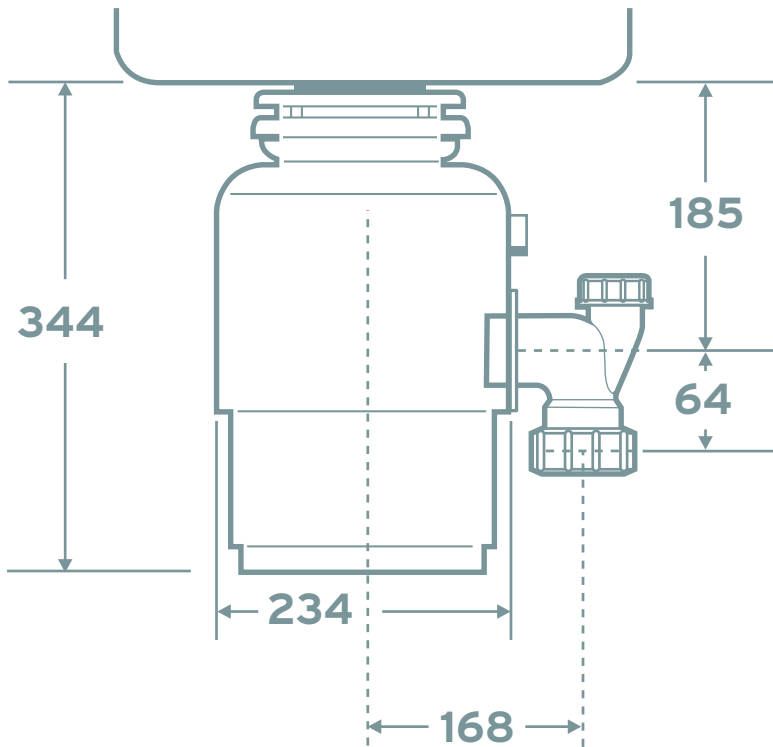
The Evolution 250 is our quietest and most powerful food waste disposer. It features a new style trim shell and a premium stainless steel sink stopper with cover. It is supplied with three air switch buttons in chrome, matte black and brushed steel to integrate with modern finishes in your kitchen and is supported by a 8 year full in-home replacement warranty.



FEATURES

- Supplied with three air switch buttons - chrome, matte black and brushed steel
- 8 year full in-home replacement warranty
- Low water usage
- New style trim shell
- Evolution sound technology
- Evolution 3-stage grind technology
- Auto-reverse grinding action
- High-torque Dura-Drive™ induction motor
- Stainless steel grind elements and grind chamber
- Overload protection
- Quick Lock® mounting assembly for faster, easier installation

DIMENSIONS (mm)



The air switch button is available in three colour choices.

Premium stainless steel stopper with cover.

SPECIFICATIONS

Type of feed	Continuous
On/Off Control	Wall switch or built-in air switch
Motor	Single phase
Reversing	Auto-reverse grind system
Time Rating	Intermittent
Lubrication	Permanently lubricated upper & lower bearings
Shipping Weight (Approx.)	11.6kg
Unit Finish	Stainless steel light grey TEN-1706
Overall Height	344mm
Grind Technology	3-stage grind technology Power booster circuit with microprocessor technology included
Sound Technology	Anti-vibration mounting and Tailpipe Quiet Sink Baffle Multi layer sound insulation Stainless steel strainer basket & plug
Grind Chamber Capacity	1180ml
Motor Protection	Manual reset overload
Average Water Usage	Approximately 1% of household water consumption
Average Electrical Usage	3-4KWH per annum, equal to approximately \$3.50 per annum
Drain Connection	1-1/2" (3.81cm) Anti-Vibration (Hose Clamp)
Dishwasher Drain Connection	No

Volt/Hz	HP	RPM	Average load
220-240V, 50Hz	.75	1425	380 W

InSinkEerator Australia
471 Mountain Highway,
Bayswater VIC 3153, Australia
Sales/Service Tel: 1300 136 205
Sales/Service Fax: (03) 9720 3178

www.insinkerator.com.au



The Emerson logo is a trademark and service mark of Emerson Electric Co.
InSinkEerator reserves the right to change product specifications without prior notice.
All products are for household use: usage in commercial situations is not covered by warranty.
InSinkEerator is a division of Emerson Electric Co.