



HDHP90AN1

# Heat Pump Dryer, 9kg

With an 8-star energy rating and advanced options such as Hybrid Boost, and specialised cycles like Sanitise, Refresh and Express 30. A drying rack and dedicated Rack Dry cycle is perfect for shoes and delicates.

Height

845 mm

Width

595 mm

Depth

675 mm

Weight

54 kg




---

## FEATURES

- Boasting an 8-star energy rating.
- Hybrid Boost gives the ability to choose to save time or save energy, thanks to specialised Speed up or Eco cycles.
- Express 30 dries clothes fast, at higher heats.
- Kill bacteria with a high-temperature Sanitise dry cycle.
- Reduced tangling of sheets and clothes thanks to Anti-tangling Technology.
- The short Refresh cycle uses ultrasonic technology to release a fine mist into the drum.
- Dedicated Rack Dry cycle, with drying rack included.
- WiFi-enabled for future compatibility with remote access and smart home appliances.

---

## ACCESSORY

- Drain hose provided
- Water dispensing cup for Refresh ultrasonic cycle provided
- Drying Rack

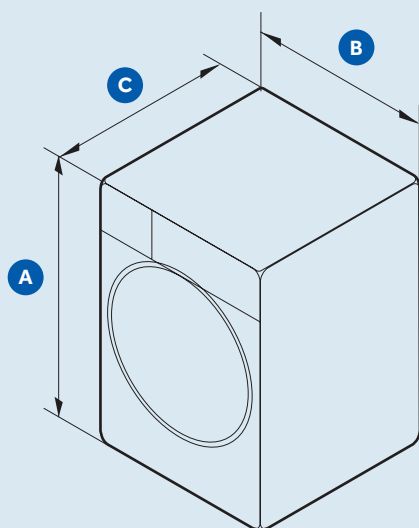
---

## ELECTRICAL

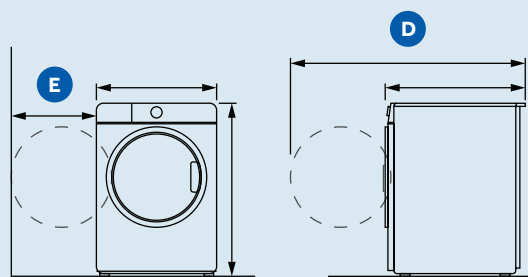
- Supply 220V-240V, 50Hz
- Service 10-amp circuit
- Connection 3-prong grounding-type

# Product overview

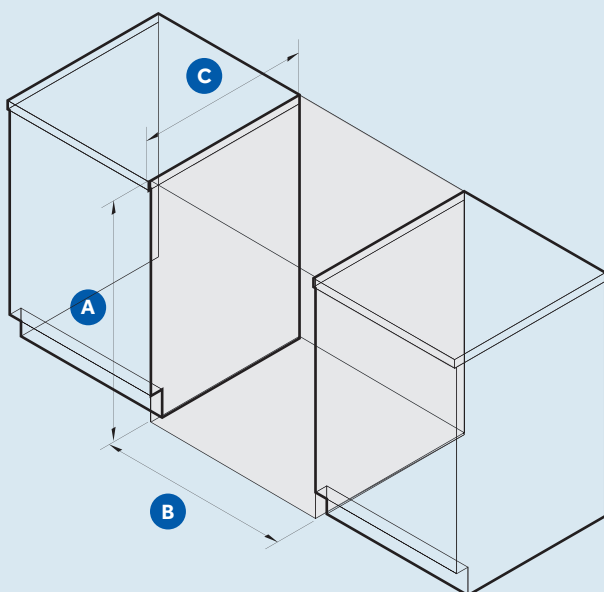
## PRODUCT DIMENSIONS



		mm
<b>A</b>	Overall height	845
<b>B</b>	Overall width	595
<b>C</b>	Overall depth	675
<b>D</b>	Depth with door opened	1135
<b>E</b>	Min. Door Clearance to adj. wall	250



## CAVITY DIMENSIONS



		mm
<b>A</b>	Overall height	860
<b>B</b>	Overall width	635
<b>C</b>	Min. overall cav flush with front panel	650
	Min. gap clearance to adj. product or wall	20