

HWF95AN1

# Front Loader Washing Machine, 9.5kg

This front loader not only has 4.5 star water and 4 star energy ratings, it includes specialised functions such as Sanitise, Refresh and a super-fast Express 15 cycle. +Garment adds everyday convenience, with forgotten items able to be added after the wash cycle has started.



# Haier

Height

850 mm

Width

595 mm

Depth

660 mm

Weight

71 kg

## FEATURES

- Sanitise is a high-temperature solution, killing bacteria for more hygienic washing.
- The short Refresh cycle uses steam technology to refresh folded and stored clothes.
- The Speed up function effectively reduces the time of most wash cycles, and is perfect for lightly-soiled clothes.
- A super-fast Express 15 cycle is perfect for busy lives and lightly soiled clothes.
- The convenient +Garment lets you add in any forgotten items, even when the wash has already started.
- Anti-Bacteria Treatment (ABT) in the gasket and laundry detergent dispenser helps keep your laundry environment hygienic.
- WiFi-enabled for future compatibility with remote access and smart home appliances.

## ACCESSORY

- Hose set provided
- Noise reduction pads
- User manual

## ELECTRICAL

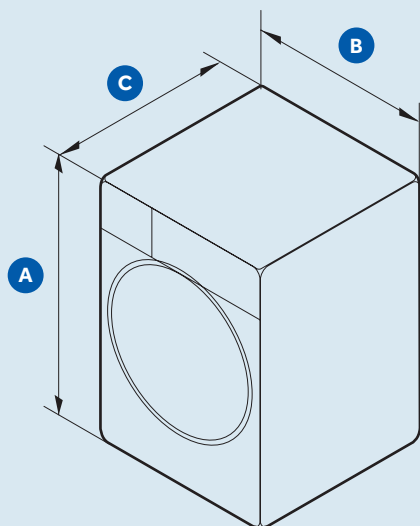
- Supply 220V-240V, 50Hz
- Service 10-amp circuit
- Connection 3-prong grounding-type

## PLUMBING PRESSURE

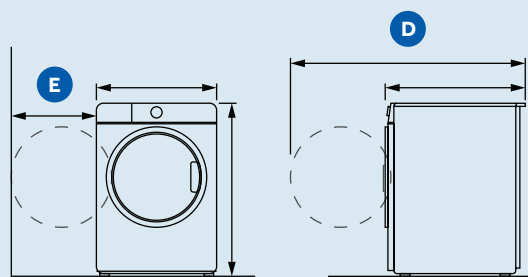
- Max. 1MPa (150psi) Min. 30KPa (4.5psi), Min. 6 litres/min

# Product overview

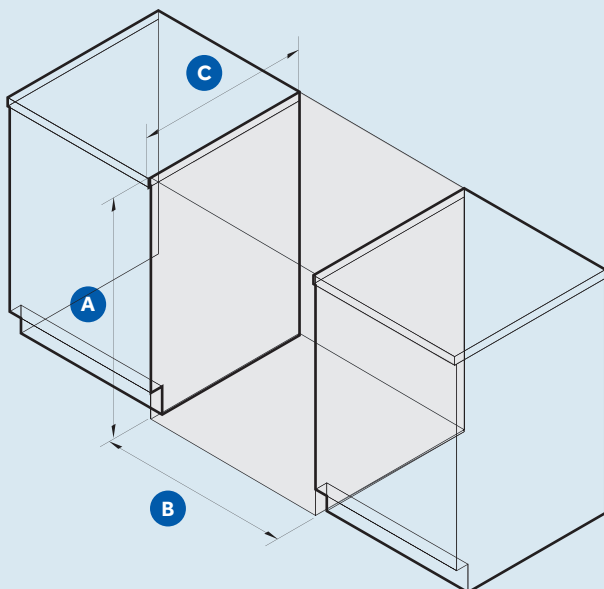
## PRODUCT DIMENSIONS



		mm
<b>A</b>	Overall height	850
<b>B</b>	Overall width	595
<b>C</b>	Overall depth	660
<b>D</b>	Depth with door opened	1134
<b>E</b>	Min. Door Clearance to adj. wall	260



## CAVITY DIMENSIONS



		mm
<b>A</b>	Overall height	870
<b>B</b>	Overall width	635
<b>C</b>	Min. overall cav flush with front panel	600
	Min. gap clearance to adj. product or wall	20